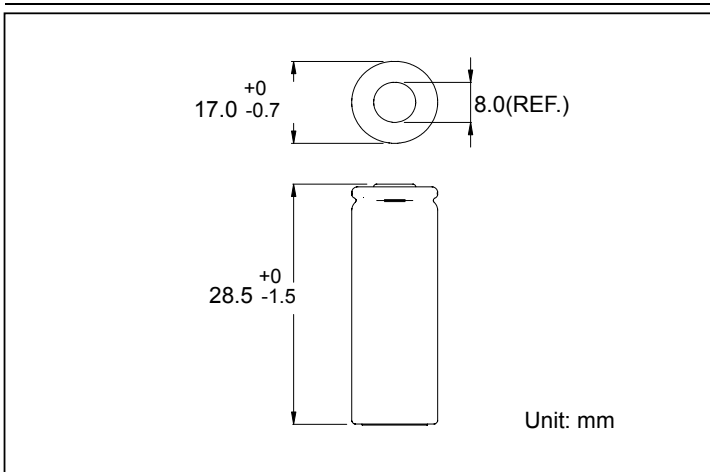


GP Batteries

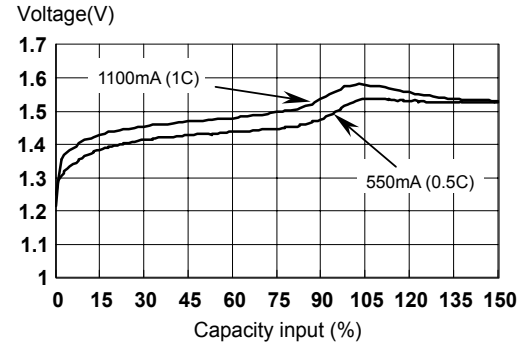
Data Sheet

Model No.: GP110AFH

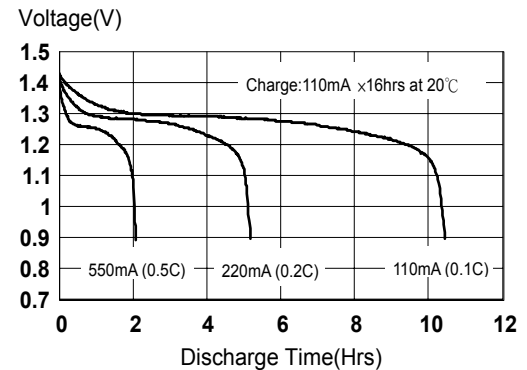
Type	Rechargeable Nickel Metal Hydride Cylindrical Cell	
Nominal Dimension (with Sleeve)	Φ=17.0mm H=28.5mm	
Applications	Recommended discharge current 110 to 3300mA	
Nominal Voltage	1.2V	
Capacity	Nominal: 1100mAh Minimum: 1100mAh Typical: 1133mAh When discharge at 220mA to 1.0V at 20°C	
Charging condition	110mA for 16hrs at 20°C	
Fast Charge	550mA to 1100mA(0.5C to 1C) with charge termination control Recommended control parameters: -ΔV : 0-5mV Timer : 105% nominal input	
Service Life	>500 cycles (IEC61951-2)	
Continuous Overcharge	110mA maximum current for 1 year No conspicuous deformation and/or leakage	
Weight	21.0g	
Internal Resistance	Average 22mΩ upon fully charged (Range 17-27mΩ) at 1000Hz	
Max. charging Voltage	1.5V at 110mA charging	
Ambient Temperature Range	Standard charging	0 to 45°C
	Fast Charging	10 to 45°C
	Discharging	-20 to 50°C
	Storage	-20 to 35°C
	Storage (1week)	-20 to 60°C



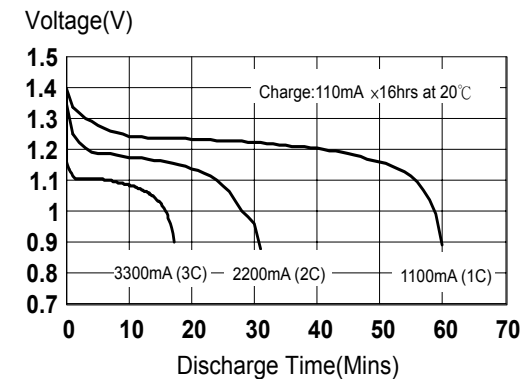
Fast Charge (charge control required)



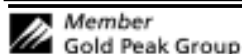
Low Rate Discharge



High Rate Discharge



* The information (subject to change without prior notice) contained in this document is for reference only and should not be used as a basis for product guarantee or warranty. For applications other than those described here, please consult your nearest GP Sales and Marketing Office or Distributors.



Manufacturer reserves the right to alter or amend the design, model and specification without prior notice

ZRS1143 Rev.01