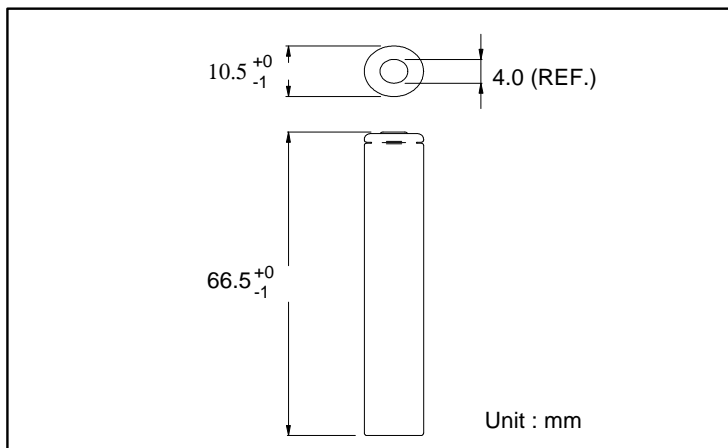


GP Batteries

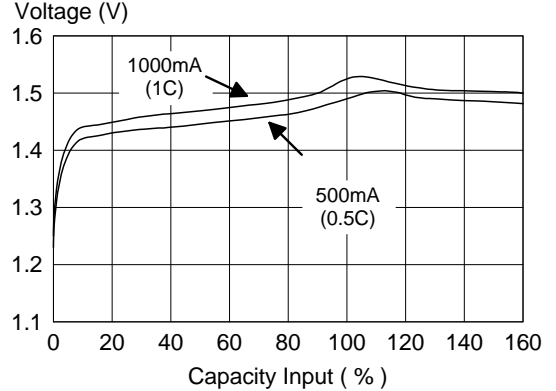
Data Sheet

Model No.: GP100AAALH

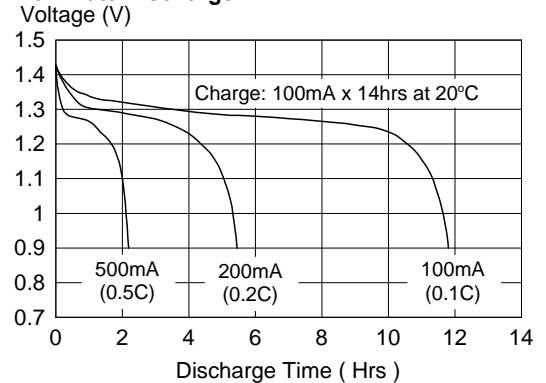
Type	: Rechargeable Nickel Metal Hydride Cylindrical Cell
Nominal Dimension (with Sleeve)	: $\Phi = 10.5\text{mm}$ H = 66.5mm
Applications	: Recommended discharge current 100 to 3000mA
Nominal Voltage	: 1.2V
Nominal Capacity	: 1000mAh when discharge at 200mA to 1.0V at 20°C
Charging Condition	: 100mA for 14 hrs at 20°C
Fast Charge	: 500mA to 1000mA (0.5 to 1C) charge termination control recommended control parameters: - ΔV : 0 - 5mV DT/dt : 0.8°C/min (0.5 to 0.9C) : 0.8 - 1°C/min (1C) TCO : 45 - 50°C Timer : 105% nominal input
Service Life	: >500 cycles (IEC standard)
Continuous Overcharge	: 100mA maximum current for 1 year No conspicuous deformation and/or leakage
Weight	: 19.5g
Internal Resistance	: Average 24m Ω upon fully charged (Range 18-28m Ω) at 1000Hz
Max. Charging Voltage	: 1.5V at 100mA charging
Ambient Temperature Range	: Standard Charging : 0 to 45°C Fast Charging : 10 to 45°C Discharging : -20 to 50°C Storage : -20 to 35°C



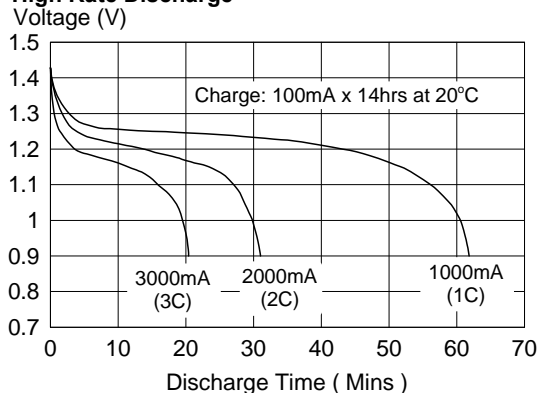
Fast Charge (Charge control required)



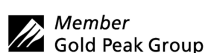
Low Rate Discharge



High Rate Discharge



* The information (subject to change without prior notice) contained in this document is for reference only and should not be used as a basis for product guarantee or warranty. For applications other than those described here, please consult your nearest GP Sales and Marketing Office or Distributors.



Manufacturer reserves the right to alter or amend the design, model and specification without prior notice.

CRS3435 Rev.01