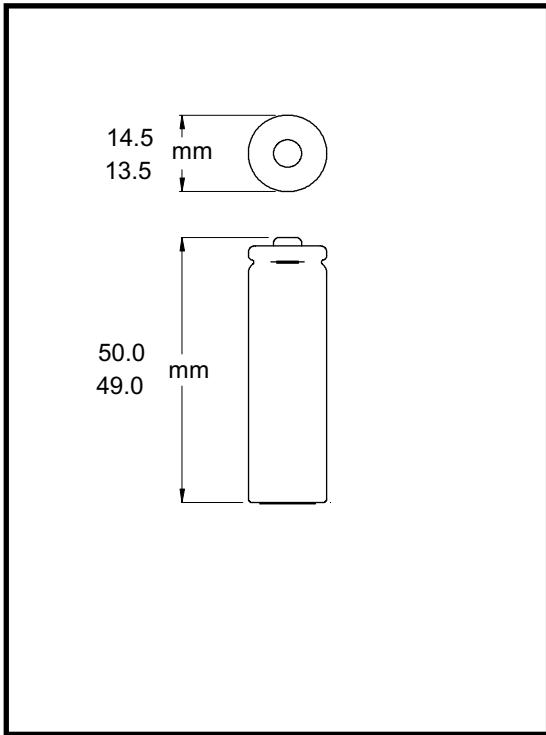


# DURACELL®

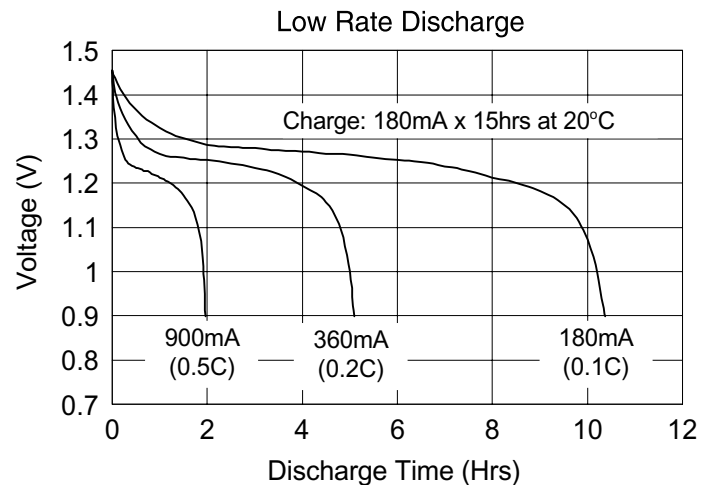
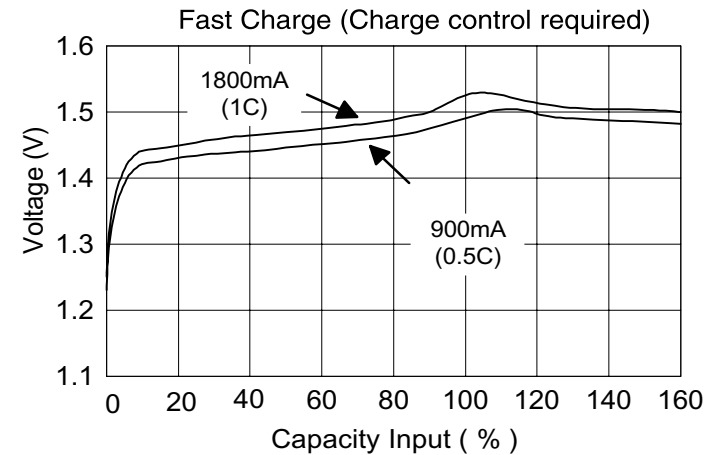
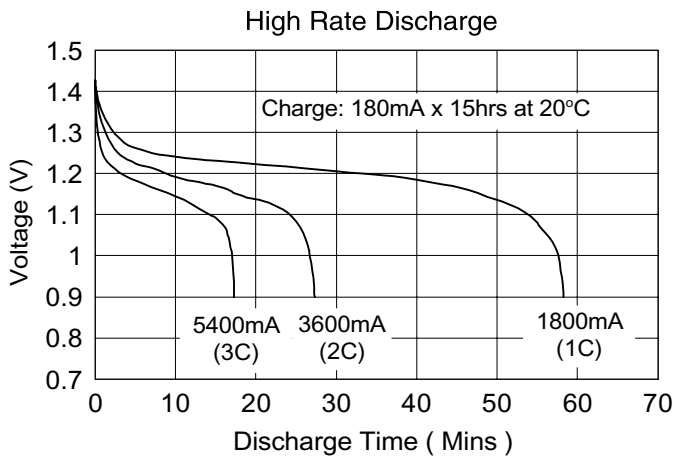
## Rechargeable Nickel Metal Hydride Battery

**Size: AA**  
1800 mAh

**NiMH**



<b>Nominal Voltage:</b>	1.2 V
<b>Nominal Internal Impedance:</b>	22 m-ohm @ 1kHz
<b>Average Weight:</b>	26.0 gm (0.91 oz.)
<b>Volume:</b>	8.3 cm <sup>3</sup> (0.50 in. <sup>3</sup> )
<b>Terminals:</b>	Flat
<b>Operating Temperature Range:</b>	-20°C to 50°C (-4°F to 122°F)
<b>ANSI:</b>	1.2H2
<b>IEC:</b>	HR6



**DURACELL®**  
BATTERIES

Berkshire Corporate Park  
Bethel, CT 06801 U.S.A.  
Telephone: Toll-free 1-800-544-5454  
Internet: [www.duracell.com](http://www.duracell.com)

Delivered capacity is dependent on the applied load, operating temperature and cut-off voltage. Please refer to the charts and discharge data shown for examples of the energy / service life that the battery will provide for various load conditions.