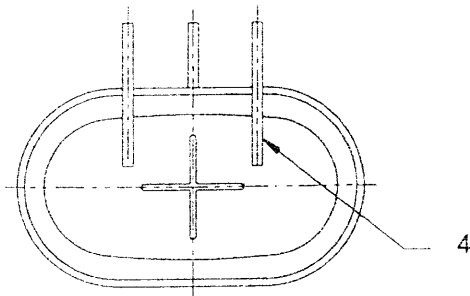
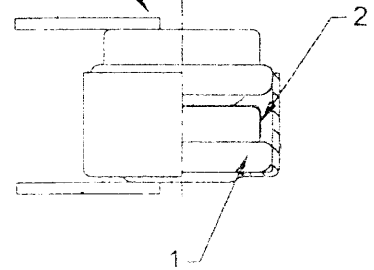
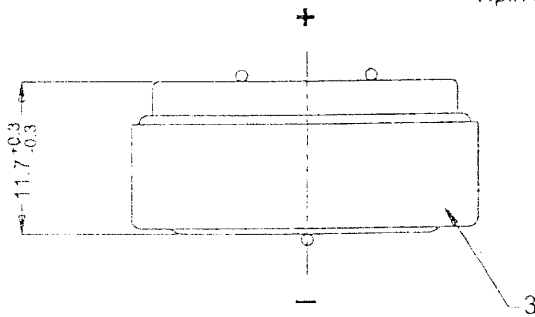


T. pin must not exceed PRV area



Note: \*Dimensions for reference only

No.	Alterations:	Date:	Name:	Dimensions in mm	Material:
				Tolerance: As specified	Refer to part list no: 063938
				Projection:	Description:  2/V110HT battery with casing & terminal pin
				Scale: 2 : 1	
				Date: Name:	
				Prepared: 2001-02-23 Yeni	
				Approved: 2001-05-25 [Signature]	
RIGHTS RESERVED TO MAKE TECHNICAL CHANGES, AS A RESULT OF FURTHER DEVELOPMENT. WITHOUT NOTICE, THIS DRAWING IS THE PROPERTY OF VARTA BATTERIES PTE LTD AND MUST NOT BE COPIED OR DISCLOSED TO A THIRD PARTY WITHOUT THE WRITTEN CONSENT OF VARTA BATTERIES PTE LTD.					Dwg. No: 063938
					VKB Order No: 55711 602 800
					Released: 02-23-2001