



NP18-12B NP18-12BFR

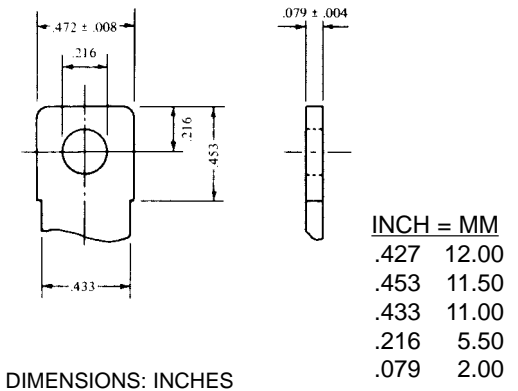
Sealed Rechargeable
Lead-Acid Battery

12V, 17.2Ah

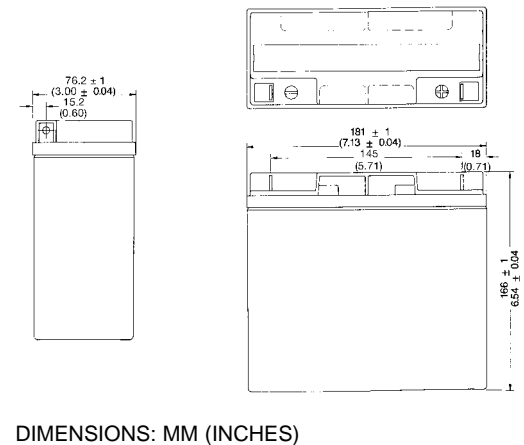
Specifications

- **NOMINAL VOLTAGE:** 12V
- **NOMINAL CAPACITY:**
 - 20 hr. rate of 0.86A to 10.5V 17.2Ah
 - 10 hr. rate of 1.6A to 10.5V 16.0Ah
 - 5 hr. rate of 2.9A to 10.2V 14.5Ah
 - 1 hr. rate of 10.3A to 9.60V 10.3Ah
- **WEIGHT (approx.):** 13.70 pounds (6.2 kgs.)
- **ENERGY DENSITY (20 hr. rate):** 1.47 WH/cubic inch (90 WH/liter)
- **SPECIFIC ENERGY (20 hr. rate):** 15.1 WH/pound (33.28 WH/kg)
- **INTERNAL RESISTANCE OF CHARGED BATTERY:** 11 milliohms (approx.)
- **MAXIMUM DISCHARGE CURRENT WITH STANDARD TERMINALS:** 150 amperes
- **MAXIMUM SHORT-DURATION DISCHARGE CURRENT:** 450 amperes
- **OPERATING TEMPERATURE RANGE:**
 - CHARGE 5°F to 122°F (-15°C to 50°C)
 - DISCHARGE -4°F to 140°F (-20°C to 60°C)
- **CHARGE RETENTION (shelf life) at 68°F (20°C):**
 - 1 month 97%
 - 3 months 91%
 - 6 months 85%
- **LIFE EXPECTANCY:**
 - STANDBY USE** 3 to 5 years
 - CYCLE USE (approx.):**
 - 100% depth of discharge 250 cycles
 - 50% depth of discharge 550 cycles
 - 30% depth of discharge 1200 cycles
- **SEALED CONSTRUCTION:** Can be operated in any position without leakage.
- **STANDARD TERMINAL:** Bolt fastened terminal
- **HOUSING MATERIAL:** ABS Resin
- **OPTIONAL:** Container and cover made from Flame Retardant ABS (UL94-V0/L.O.I.>28%)
- **HARDWARE:** 2-M5-.8 x 12mm Bolt w/nuts, lock washer & flat washer

Terminal



Dimensions



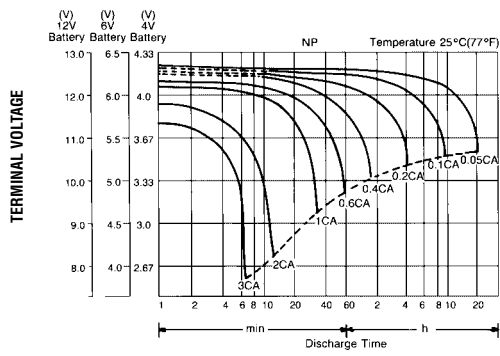
EnerSys™

Power/Full Solutions™

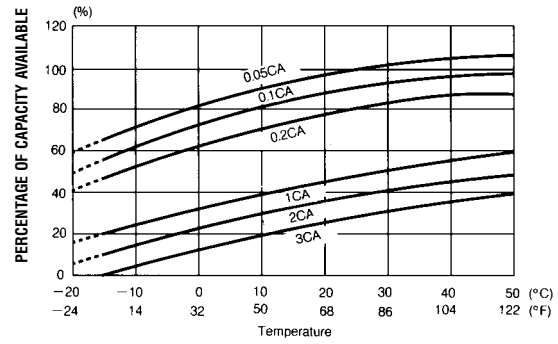


RECOGNIZED BY UL, File No. MH 16464

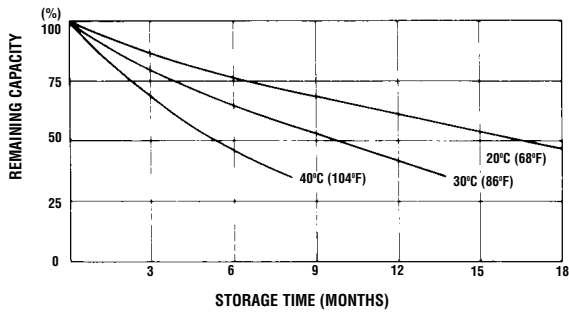
DISCHARGE CHARACTERISTIC CURVES AT 25°C (77°F)



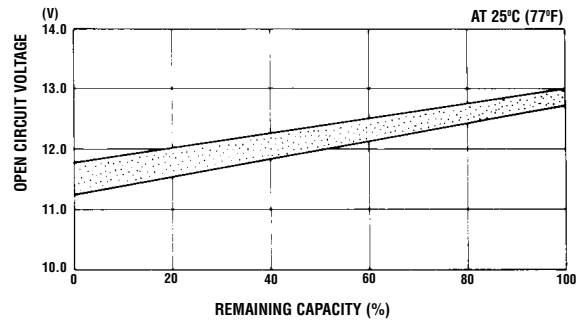
TEMPERATURE EFFECTS IN RELATION TO BATTERY CAPACITY



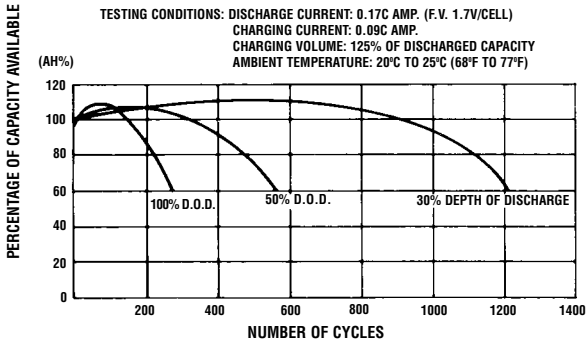
SELF DISCHARGE CHARACTERISTICS



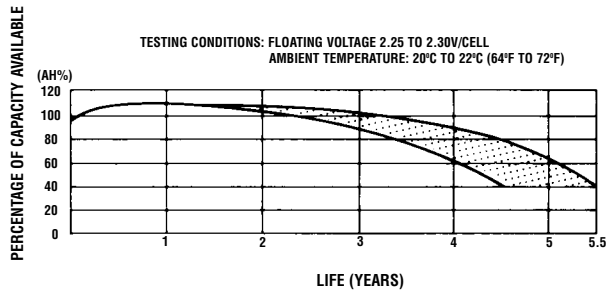
OPEN CIRCUIT VOLTAGE VS REMAINING CAPACITY



CYCLE SERVICE LIFE IN RELATION TO DEPTH OF DISCHARGE



FLOAT SERVICE LIFE



When the battery will be used by current in excess of 3C, consult with EnerSys, Inc. prior to use.

CHARGING METHODS (At 20°C)

Cycle use: Maximum charging current 4.3A
 Charging voltage 14.4 to 15.0V
Standby use: Float charging voltage 13.50 to 13.80V

CAUTION

- Avoid short circuit
- Do not charge in a sealed container.



EnerSys Inc.
 P.O. Box 14145
 Reading, PA 19612-4145
 USA
 Tel: +1-610-208-1991
 +1-800-538-3627

EnerSys EMEA
 Brussels, Belgium
 Tel: +32 (0)2 247 94 47
EnerSys Asia
 Guangdong, China
 Tel: +86 755 2689 3639

Represented by:

