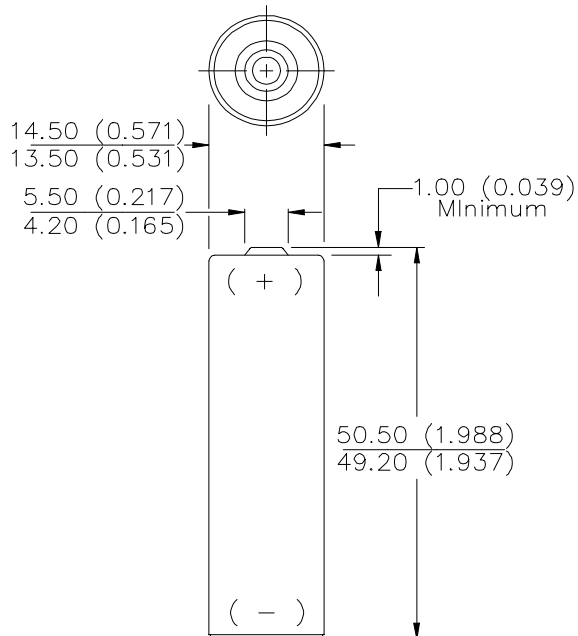


ENERGIZER NO. NH15

AA



Industry Standard Dimensions in mm (inches)



Description: Rechargeable 1.2V
Chemical System: Nickel-Metal Hydride (NiMH)
Designation: ANSI-1.2H2
Battery Voltage: 1.2 Volts
Average Capacity: 2300 mAh (to 1.0 volts)
 (Based on 460 mA (0.2C) discharge rate)
Average Weight: 27.0 grams (1.0 oz.)
Volume: 8.3 cubic centimeters (0.5 cubic inch)
Jacket: Plastic Label

Internal Resistance

The internal resistance of the cell varies with state of charge, as follows:

Cell Charged	Cell 1/2 Discharged
30 milliohms	40 milliohms
(tolerance of ±20% applies to above values)	

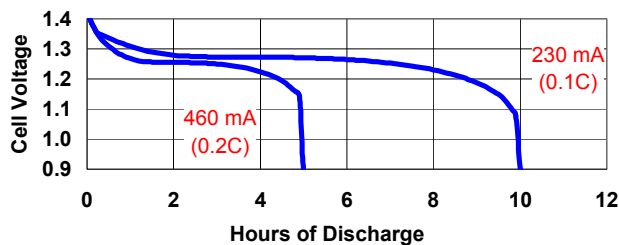
AC Impedance (No Load)

The impedance of the charged cell varies with frequency, as follows:

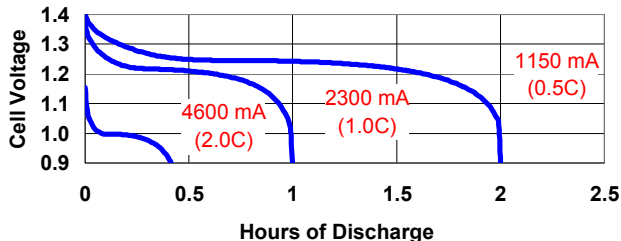
Frequency (Hz)	Impedance (milliohms) (Charged Cell)
1000	12

Note: Above values based on AC current set at 1.0 ampere. Value tolerances are ±20%

TYPICAL DISCHARGE CHARACTERISTICS
 Average Performance at 21°C (70°F)



TYPICAL DISCHARGE CHARACTERISTICS
 Average Performance at 21°C (70°F)



Operating and Storage Temperatures

Ranges of temperature applicable to operation of the NH15 cells are:

- Charge @ 0.1C:** 32°F to 122°F (0°C to 50°C)
- Discharge @ 0.1C:** -4°F to 122°F (-20°C to 50°C)
- Storage:** -40°F to 122°F (-40°C to 50°C)
 (6 Months Max.)
 -4°F to 95°F (-20°C to 35°C)
 (2 Years Max.)

Operating at extreme temperature will significantly affect service and cycle life.

Important Notice

This data sheet contains information specific to batteries manufactured at the time of its publication.

Contents herein do not constitute a warranty.

Copyright © Eveready Battery Co. Inc. - All Rights Reserved