



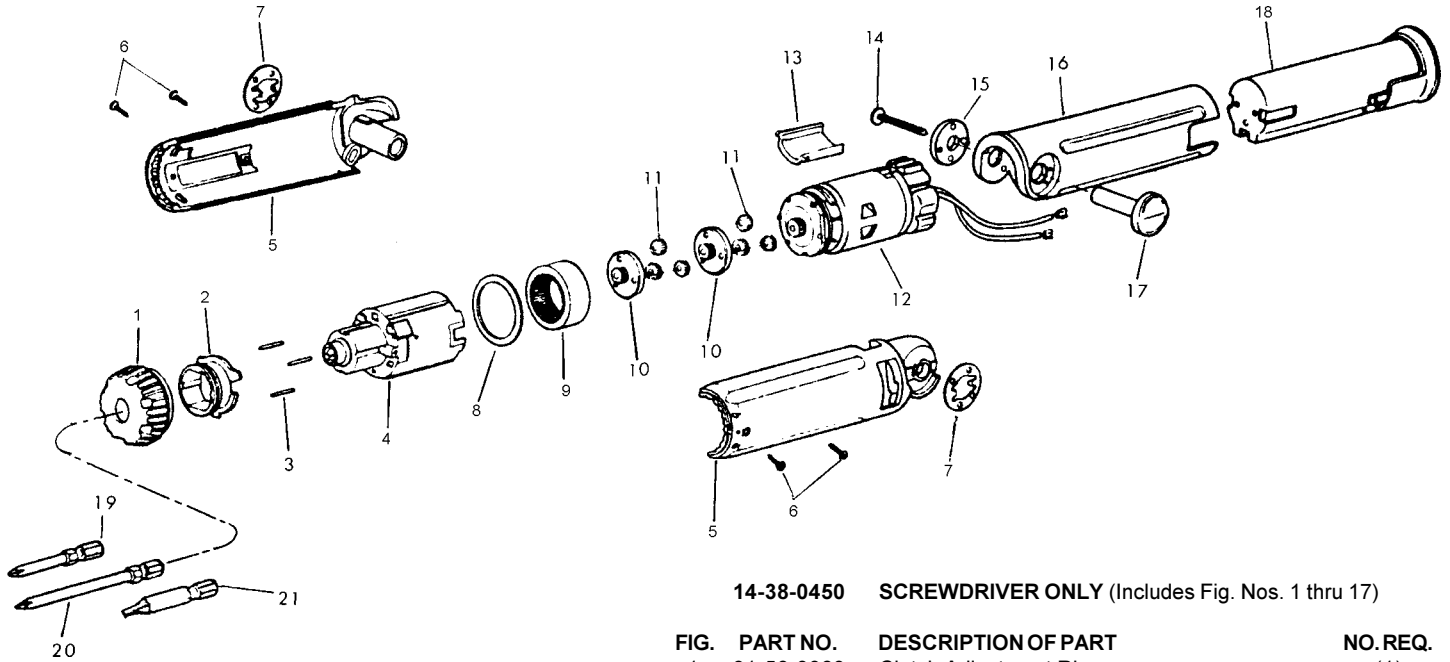
SERVICE PARTS LIST

BULLETIN NO.
54-42-0140

SPECIFY CATALOG NO. AND SERIAL NO. WHEN ORDERING PARTS		REVISED BULLETIN	DATE
2.4 VOLT CORDLESS SCREWDRIVER			July 2001
CATALOG NO. 6539-1	STARTING SERIAL NO. 729-1001	WIRING INSTRUCTION See Reverse Side	

EXAMPLE:
Component Parts (Small #)
Are Included When Ordering
The Assembly (Large #).

00
0

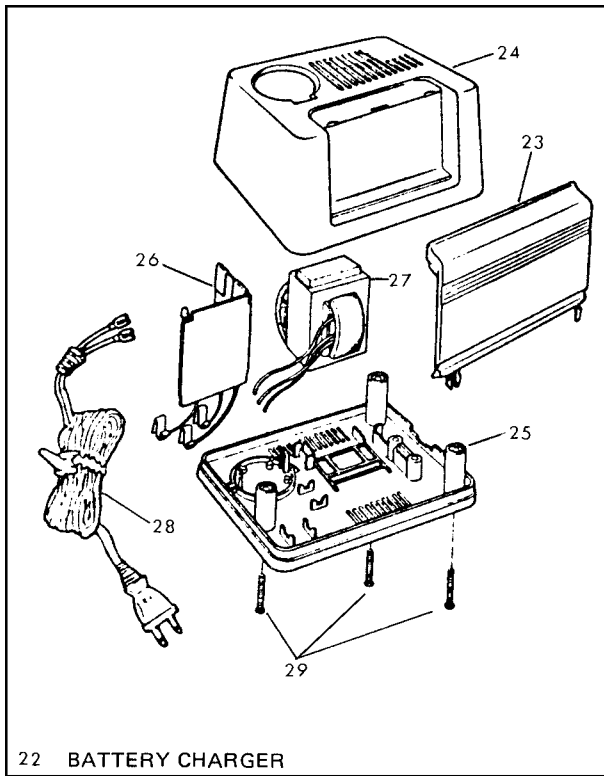


14-38-0450 SCREWDRIVER ONLY (Includes Fig. Nos. 1 thru 17)

FIG.	PART NO.	DESCRIPTION OF PART	NO. REQ.
1	31-58-0060	Clutch Adjustment Ring	(1)
2	45-04-0710	Adjustment Screw	(1)
3	44-60-0800	Shaft Pin (Contains 3)	(3)
4	32-48-0040	Gear Assembly	(1)
5	31-50-0500	Right and Left Motor Housing Set	(1)
6	05-78-0100	Housing Screw (Contains 4)	(4)
7	40-50-1950	Hinge Spring (Contains 2)	(2)
8	44-90-0570	Thrust Plate	(1)
9	32-65-0030	Internal Ring Gear	(1)
10	42-46-0120	Carrier (Contains 2)	(2)
11	32-62-0090	Planet Gear (Contains 6)	(6)
12	14-50-0330	Motor Assembly	(1)
13	31-15-0360	Hinge Cover	(1)
14	05-78-0700	Handle Screw	(1)
15	45-88-7920	Washer	(1)
16	31-44-1400	Handle	(1)
17	44-60-0810	Retaining Pin	(1)

ACCESSORIES FOR TOOL

18	48-11-0100	Battery Pack	(1)
19	48-30-1510	Bit- No. 1 Phil. 1/4 Hex	(1)
20	48-30-1525	Bit- No. 1 Phil.	(1)
21	48-30-0500	Bit- 6F 8R 1/4 Hex	(1)
22	48-59-0180	Battery Charger (Incl. Fig. Nos. 23 thru 29)	(1)
23	43-72-0130	Bit Holder Door	(1)
24	31-03-0040	Upper Housing	(1)
25	31-03-0035	Lower Housing	(1)
26		Printed Circuit Board	(1)
27		Transformer	(1)
28	22-64-0325	Cord Set	(1)
29	45-04-0700	Charger Screw (Contains 3)	(3)



22 BATTERY CHARGER

MILWAUKEE ELECTRIC TOOL CORPORATION
13135 W. LISBON RD., BROOKFIELD, WI 53005

Drwg. 1

WIRE CONNECTION DIAGRAM

