

# ENERGIZER EN715

**7.5V**



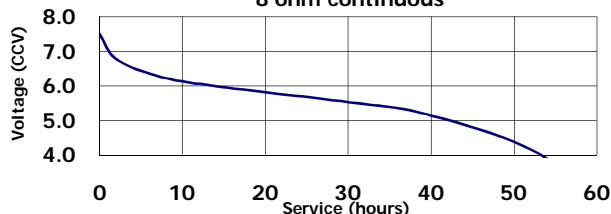
## Specifications

**NOT INTENDED FOR RETAIL TRADE**

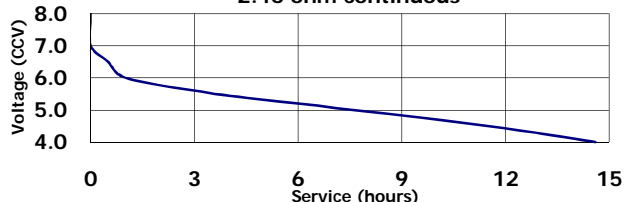
|                         |  |
|-------------------------|--|
| <b>Classification:</b>  | Alkaline   |
| <b>Chemical System:</b> | Zinc-Manganese Dioxide (Zn/MnO <sub>2</sub> )<br>No added mercury or cadmium |
| <b>Nominal Voltage:</b> | 7.5 volts  |
| <b>Operating Temp:</b>  | -18°C to 55°C (0°F to 130°F)   |
| <b>Typical Weight:</b>  | 2300 grams (81.4 oz.)  |
| <b>Typical Volume:</b>  | 1570 cubic centimeters (95.8 cubic inch)                                     |
| <b>Jacket:</b>          | Metal  |
| <b>Cells:</b>           | Ten 3-361<br>Two parallel strings of five in series                          |
| <b>Terminal:</b>        | Screw Post   |

## Simulated Application Tests (21°C)

**TYPICAL DISCHARGE**  
8 ohm continuous

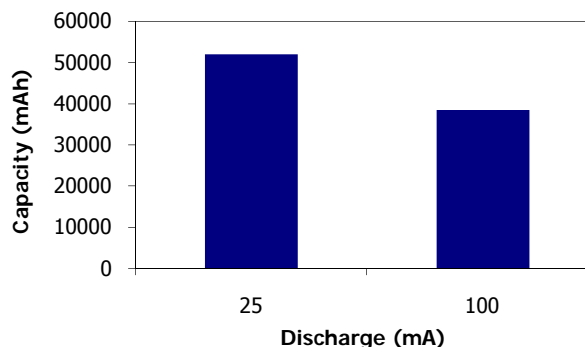


**TYPICAL DISCHARGE**  
2.46 ohm continuous

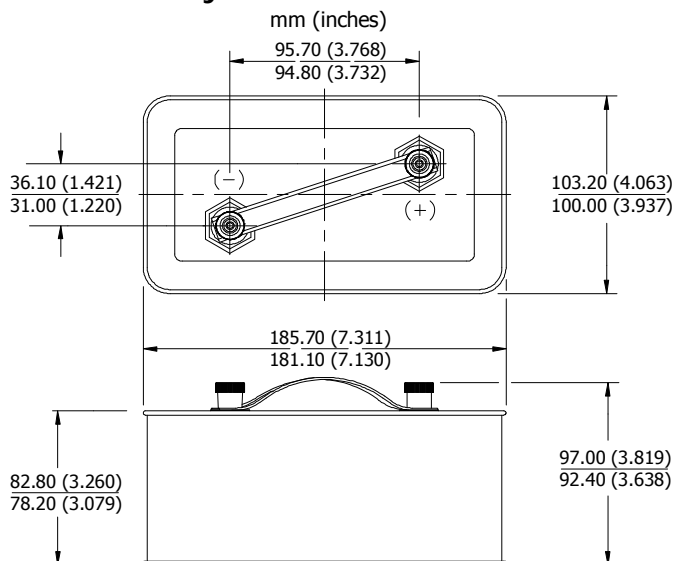


## Milliamp-Hours Capacity

Continuous discharge to 3.0 volts at 21°C



## Industry Standard Dimensions



### Important Notice

This datasheet contains typical information specific to products manufactured at the time of its publication.  
©Energizer Holdings, Inc. - Contents herein do not constitute a warranty.