

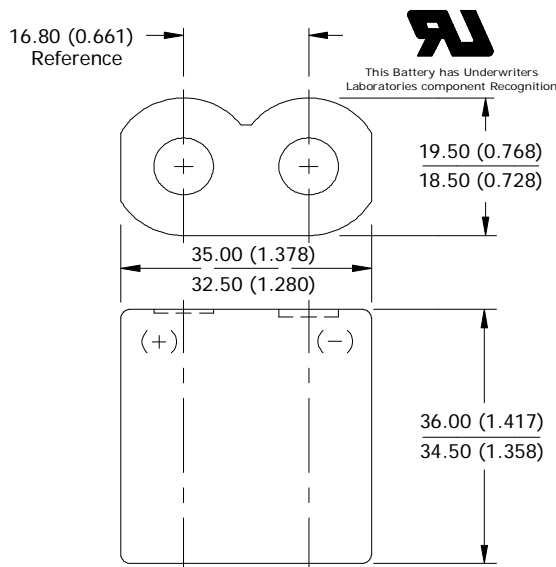
# ENERGIZER 223

(EL223)



## Industry Standard Dimensions

mm (inches)



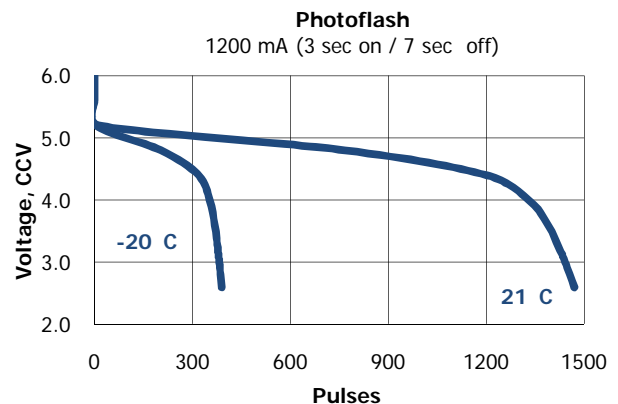
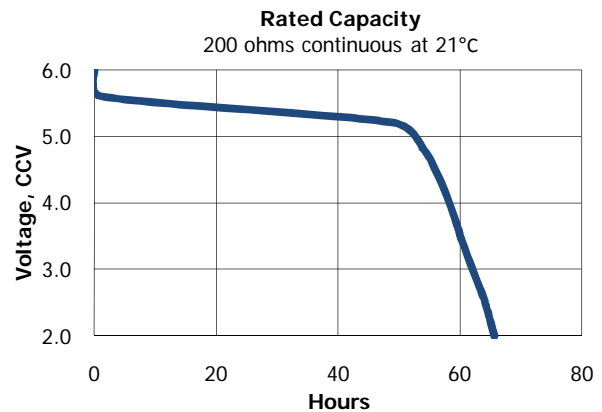
This Battery has Underwriters Laboratories component Recognition

This battery contains a Positive Temperature Coefficient (PTC) safety device to limit current during short circuit conditions.

## Specifications

- Classification:** "Lithium"
- Chemical System:** Lithium / Manganese Dioxide (Li/MnO<sub>2</sub>)
- Designation:** ANSI-5024LC, IEC-CR-P2
- Nominal Voltage:** 6.0 Volts
- Storage Temp:** -40°C to 60°C (-40°F to 140°F)
- Operating Temp:** -40°C to 60°C (-40°F to 140°F)
- Typical Capacity:** 1500 mAh (to 4.0 volts)  
(Rated at 200 ohms at 21°C)
- Typical Weight:** 37.0 grams (1.3 oz.)
- Typical Volume:** 24 cubic centimeters (1.5 cubic inch)
- Max Discharge:** 1500 mA continuous (3500 mA pulse)
- Max Rev Current:** 2 uA
- Typical Li Content:** 1.15 grams (0.041 oz.)
- UL Listed:** MH12454
- Shipping:** For complete details, please reference:  
Global (except US): Special Provision A45 of the International Air Transport Association Dangerous Goods Regulations  
United States: 49 CFR 173.185

## Typical Discharge Characteristics



## Simulated Application Tests

Typical Use Performance

Type (time)	Drain (mA)	Load (ohms)	Cutoff Voltage		
			4.0V (21°C) (hours)	3.6V (21°C) (pulses)	3.1V (21°C) (pulses)
Capacity (continuous)	---	200	58	---	---
Photoflash (3 / 27 sec)	900	---	---	---	2000
Photoflash (3 / 7 sec)	1200	---	---	1370	---
Photoflash (3 / 7 sec)	1800	---	---	860	---

### Important Notice

This datasheet contains typical information specific to products manufactured at the time of its publication.  
©Energizer Holdings, Inc. - Contents herein do not constitute a warranty.