



North American Headquarters
 601 Rayovac Drive
 Madison, WI 53711
 Telephone 1-800-331-4522
 Internet www.rayovac.com

Marketing Data Sheet - Batteries

S6600184
 Issue R
 Memo No: [MDSR0104](#)

Rayovac Stock Number: **A1604**

Name: **9 VOLT ALKALINE**

ENGINEERING DATA:

Cell Chemistry: Alkaline

Designation: ANSI/NEDA – 1604A , IEC – 6LR61

Nominal Voltage: 9 volts

Approximate Weight: 1.6 Oz (45.4 grams)

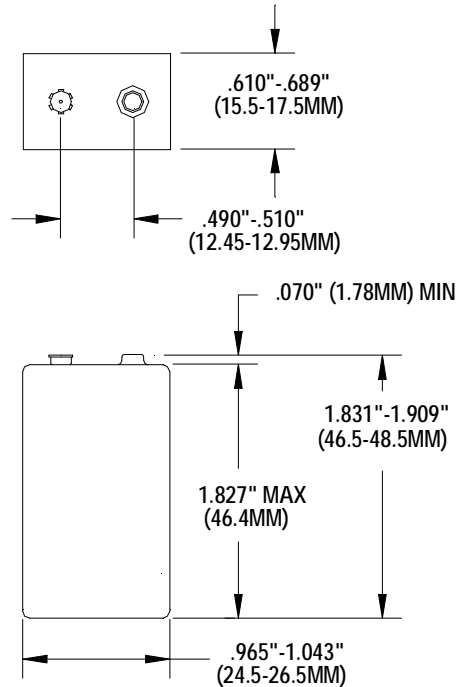
Approximate Volume: 1.2 CU IN (19.7 CU CM)

Operating Temp. Range: -30° C to 55° C (-20° F to 130° F)

Terminals: Snap

Jacket: Steel

Environmental: Meets Environmental Protection Agency (EPA) Requirements For Landfill Disposal.
 No Mercury Added Formulation
[Rayovac Material Safety Sheets](#)



Dimensions shown are ANSI/IEC standards

**TYPICAL INITIAL SERVICE AT 70°F (HOURS)
CUTOFF VOLTAGE**

APPLICATION <u>DUTY CYCLE</u>	LOAD <u>(OHMS)</u>	CURRENT <u>(MA at 7.2V)</u>	<u>CUTOFF VOLTAGE</u>						mAh <u>CAPACITY To 4.8V</u>
			<u>7.8V</u>	<u>7.2V</u>	<u>6.6V</u>	<u>6.0V</u>	<u>5.4V</u>	<u>4.8V</u>	
RADIO (2 HR/DAY)	620	11.6	13	32	39	45	49	52	614
TOY/GAME (1 HR/DAY)	270	26.7	4	11	17	19	21	23	600
CALCULATOR (30 MIN/DAY)	180	40	1.7	5	10	12	13	15	556
SMOKE DETECTOR (ACCELERATED)	43K BACKGROUND WITH 620 OHM PULSE 1 SEC/HR		2191 HOURS (91 DAYS TO 7.5V)						424 TO 7.5V

This data is subject to change. Performance information is typical. Contents herein do not constitute a warranty.