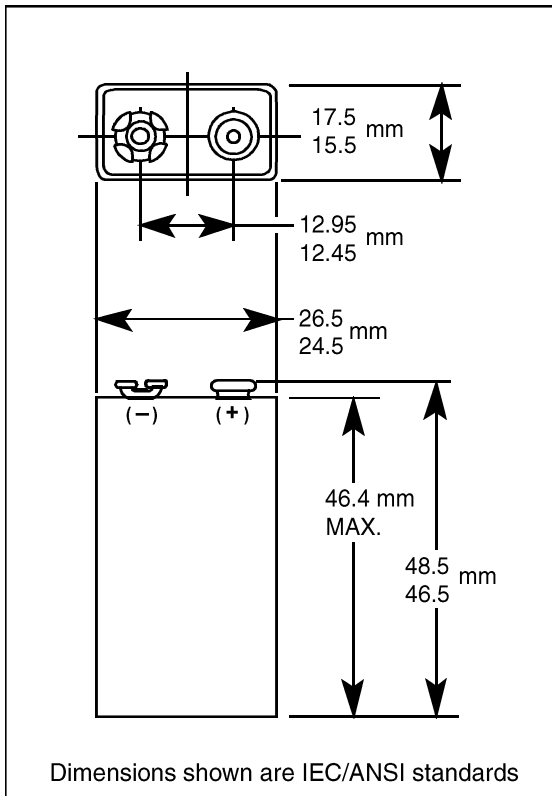


DURACELL[®] PLUS Provisional data

Alkaline-Manganese Dioxide Battery

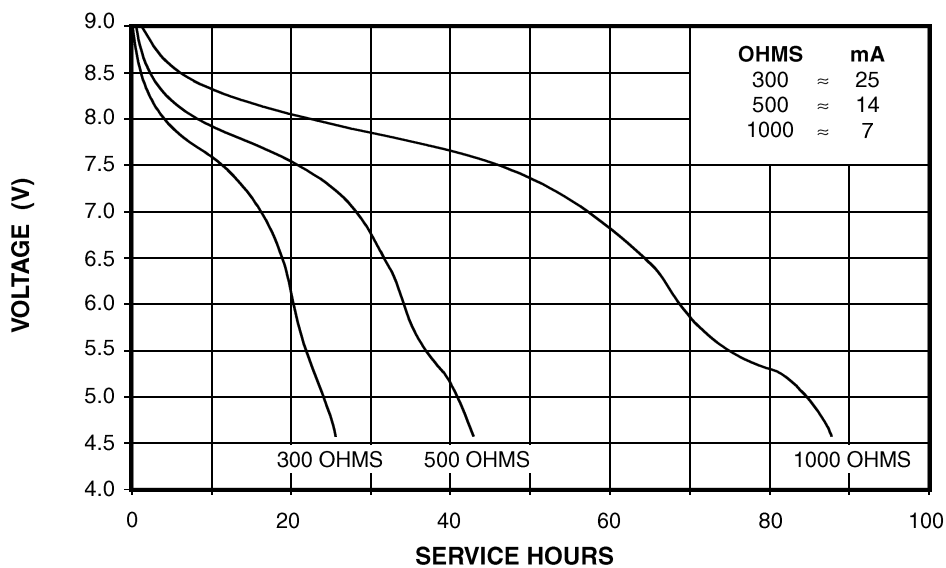
Size: 9V (6LR61)

Zn/MnO₂



Nominal Voltage:	9 V
Nominal Internal Impedance:	1,812 m-ohm @ 1kHz
Average Weight:	45 gm (1.6 oz.)
Volume:	22.8 cm ³ (1.39 in. ³)
Terminals:	Miniature Snap
Operating Temperature Range:	-20°C to 54°C (-4°F to 130°F)
ANSI:	1604A
IEC:	6LR61

TYPICAL DISCHARGE CHARACTERISTICS AT 21 °C (70°F)



* Delivered capacity is dependent on the applied load, operating temperature and cut-off voltage. Please refer to the charts and discharge data shown for examples of the energy / service life that the battery will provide for various load conditions.

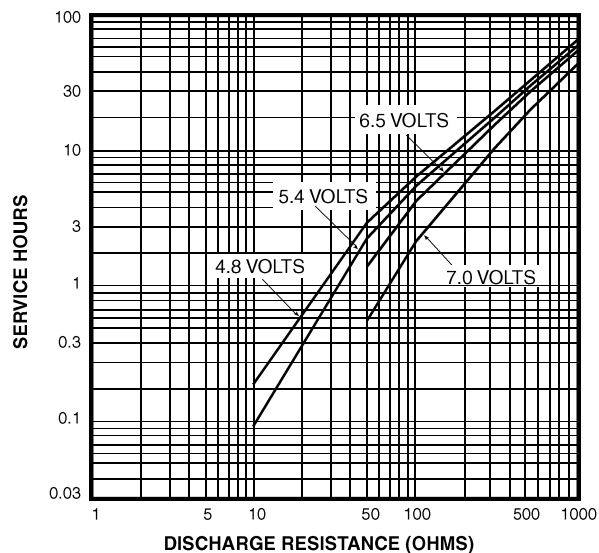
DURACELL® PLUS

Provisional data

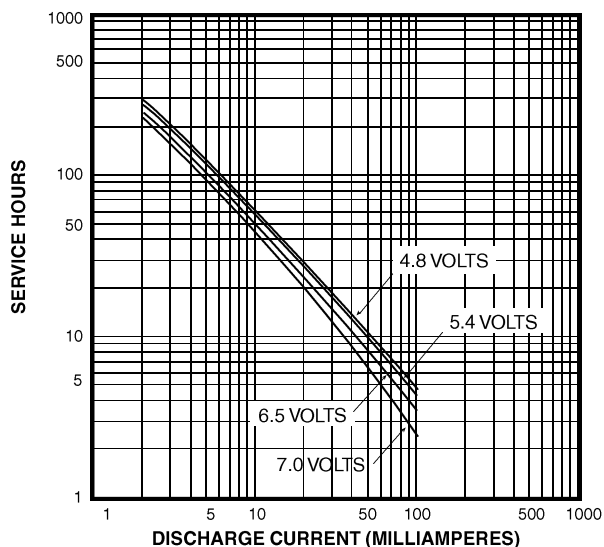
Alkaline-Manganese Dioxide Battery

Size: 9V (6LR61)

Zn/MnO₂



TYPICAL CONTINUOUS PERFORMANCE CHARACTERISTICS WITH CONSTANT RESISTANCE TO VARIOUS CUTOFF VOLTAGES AT 21 °C (70°F)



TYPICAL CONTINUOUS PERFORMANCE CHARACTERISTICS WITH CONSTANT CURRENT TO VARIOUS CUTOFF VOLTAGES AT 21 °C (70°F)

DURACELL®
BATTERIES

Berkshire Corporate Park
Bethel, CT 06801 U.S.A.
Telephone: Toll-free 1-800-334-2656
Internet: www.duracell.com

* Delivered capacity is dependent on the applied load, operating temperature and cut-off voltage. Please refer to the charts and discharge data shown for examples of the energy / service life that the battery will provide for various load conditions.