

EVEREADY SILVER NO. R6

AA

Zinc Chloride



Specifications

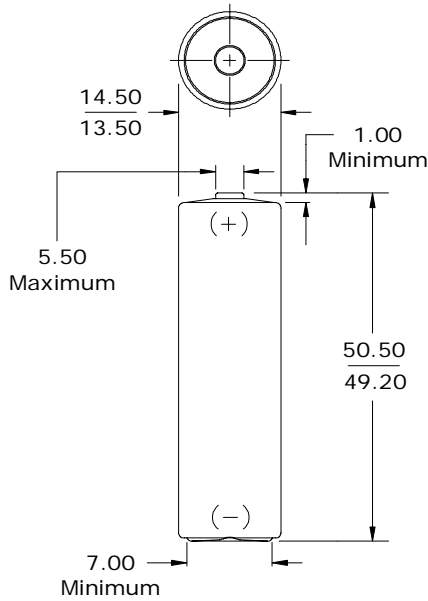
Chemical System: Zinc-Manganese Dioxide (Zn/MnO₂)
(no added mercury or cadmium)
Designation: IEC-R6
Nominal Voltage: 1.5 volts
Typical Capacity: 1,100 mAh* (to 0.8 volts)
(based on 25 mA continuous at 21 °C)

* Varies according to the applied load, temperature, and cutoff voltage.

Operating Temp: -18 °C to 55 °C
Typical Weight: 15 grams
Typical Volume: 8.0 cubic centimeters
Jacket: Metal

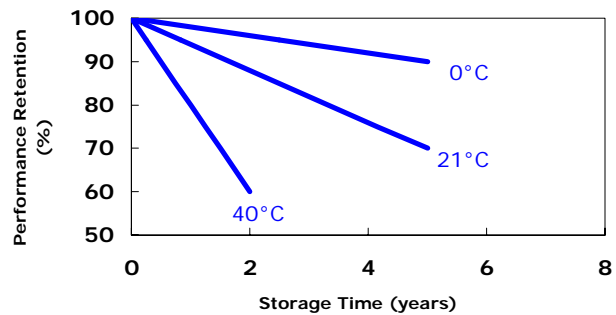
Industry Standard Dimensions

(millimeters)



Storage/Capacity Characteristics

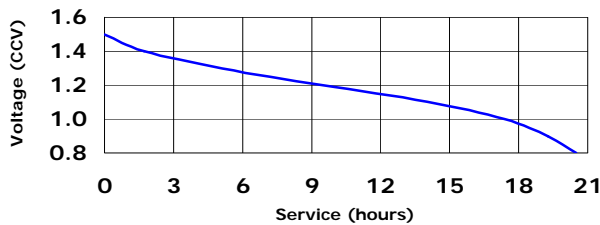
Effects of Storage at Various Temperatures



Industry Standard Tests (21 °C)

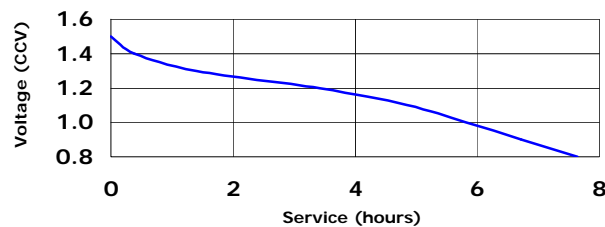
REMOTE

24 ohm 15 sec/min, 8 hrs/day



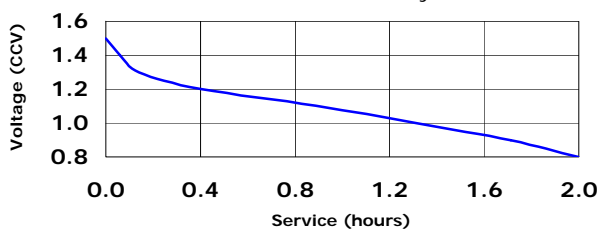
TAPE PLAYER

10 ohm 1 hr/day



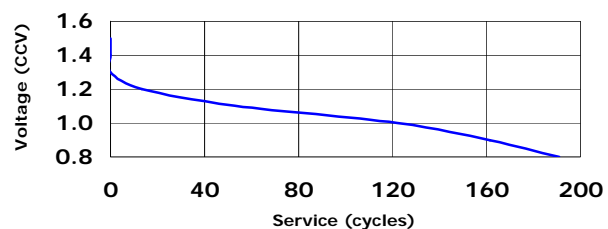
TOY

3.9 ohm 1 hr/day



PHOTOFLASH

1.8 ohm 15 sec/min



Important Notice

This data sheet contains typical information specific to batteries manufactured at the time of its publication.

Contents herein do not constitute a warranty.

©Eveready Battery Company, Inc. - All Rights Reserved