

301

SR1142SW (SR43)
Watch Battery
Swiss Made

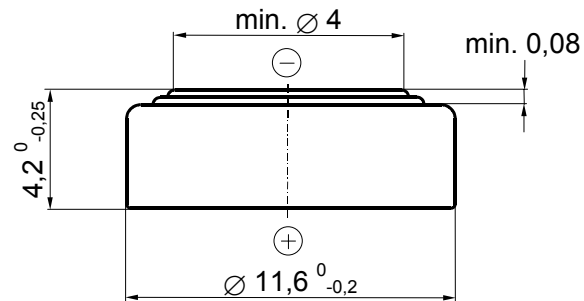
Technical Data Sheet

Specifications

| | |
|-----------------------|--|
| Chemical system | Zinc / Monovalent Silver Oxide, low drain |
| Nominal Voltage | 1,55 V |
| Capacity | 120 mAh, Discharge over 10 kΩ at 20°C to 1,2 V |
| Internal Resistance | Below 50 Ω at 20°C |
| Operating Temperature | 0°C – 60°C |
| Self Discharge | Less than 5% per year at 20°C |
| Weight | ~1,60 g |

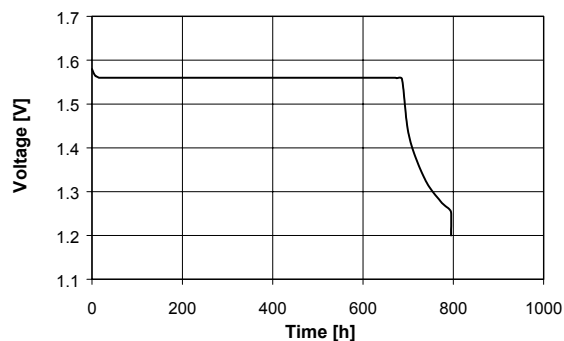
Dimensions

| | |
|----------|-------------------|
| Diameter | 11,60 mm (0,457") |
| Height | 4,20 mm (0,165") |



Discharge Curve

| | |
|----------------|--------|
| Constant Load | 10 kΩ |
| Starting Drain | 156 μA |
| Temperature | 20°C |



Rev. 301.03 06/02