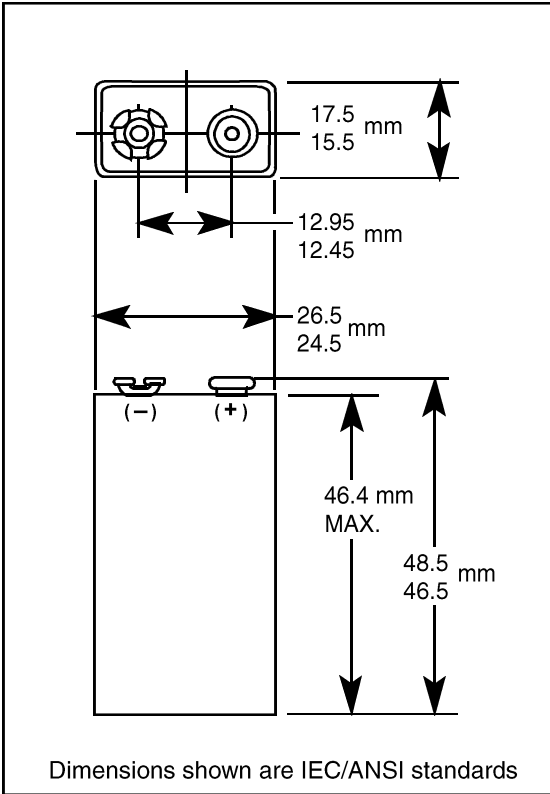




Size: 9V (6LR61) Alkaline-Manganese Dioxide Battery

Zn/MnO₂



Nominal Voltage:	9 V
Nominal Internal Impedance:	1,850 m-ohm @ 1kHz
Average Weight:	46.5 gm (1.64 oz.)
Volume:	22.8 cm ³ (1.39 in. ³)
Terminals:	Miniature Snap
Operating Temperature Range:	-20°C to 54°C (-4°F to 130°F)
ANSI:	1604A
IEC:	6LR61

Discharge Characteristics at 20°C (70°F)



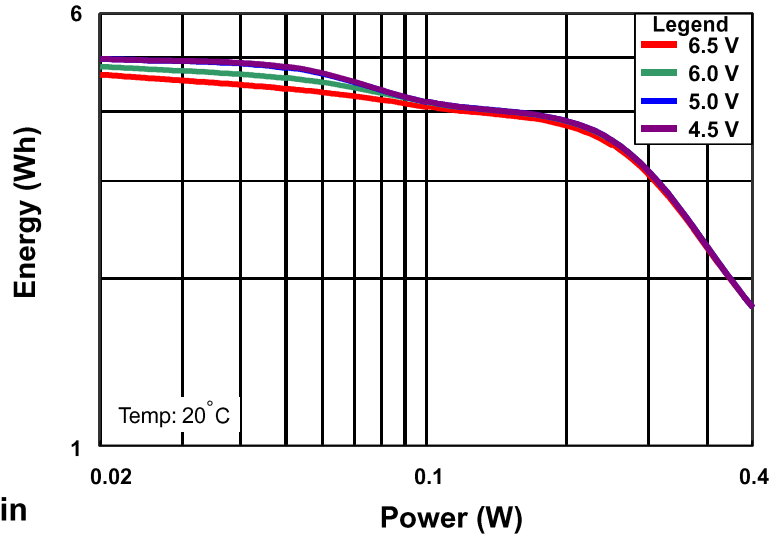
* Delivered capacity is dependent on the applied load, operating temperature and cut-off voltage. Please refer to the charts and discharge data shown for examples of the energy / service life that the battery will provide for various load conditions.



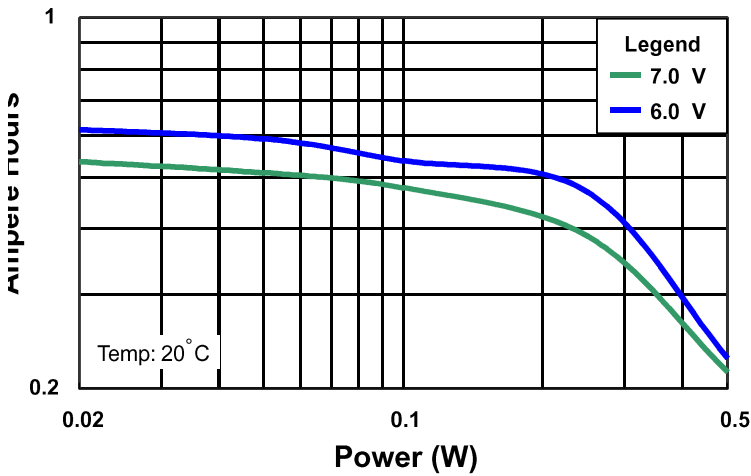
Size: 9V (6LR61) Alkaline-Manganese Dioxide Battery

Zn/MnO₂

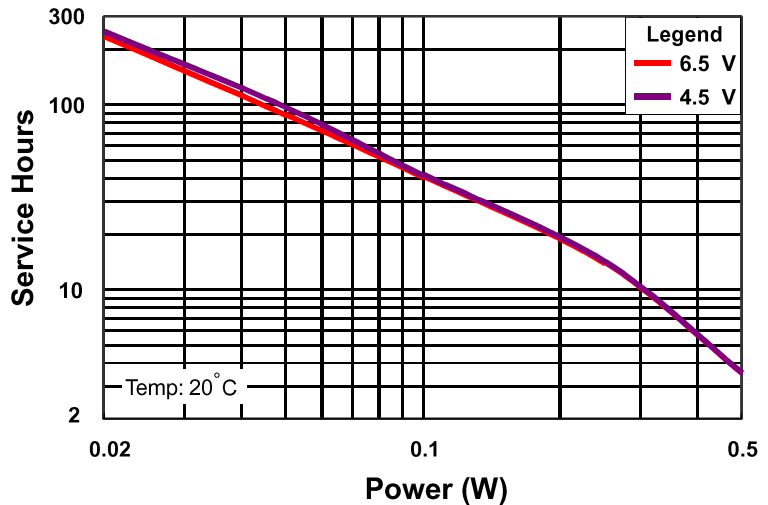
Delivered Energy vs Power Drain



Delivered Capacity vs Power Drain



Service Hours vs Power Drain



DURACELL® BATTERIES

Berkshire Corporate Park
Bethel, CT 06801 U.S.A.
Telephone: Toll-free 1-800-834-2656
Internet: www.duracell.com

* Delivered capacity is dependent on the applied load, operating temperature and cut-off voltage. Please refer to the charts and discharge data shown for examples of the energy / service life that the battery will provide for various load conditions.