



North American Headquarters  
 601 Rayovac Drive  
 Madison, WI 53711  
 Telephone 1-800-331-4522  
 Internet [www.rayovac.com](http://www.rayovac.com)

Marketing Data Sheet - Batteries

S6600175  
 Issue R  
 Memo No: [MDSR0104](#)

Rayovac Stock Number: **824**

Name: **824 (AAA) ALKALINE**

**ENGINEERING DATA:**

**Cell Chemistry:** Alkaline

**Designation:** ANSI/NEDA – 24A (AAA), IEC – LR03

**Nominal Voltage:** 1.5 volts

**Approximate Weight:** .4 Oz (11 grams)

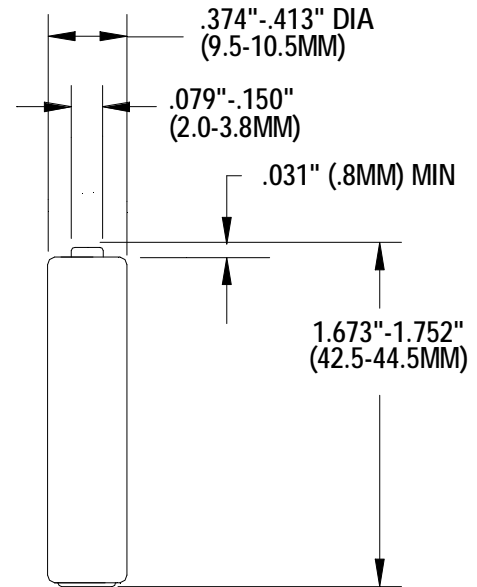
**Approximate Volume:** .2 CU IN (3.3 CU CM)

**Operating Temp. Range:** -30° C to 55° C (-20° F to 130° F)

**Terminals:** Flashlight

**Shell:** Plastic

**Environmental:** Meets Environmental Protection Agency (EPA) Requirements For Landfill Disposal.  
 No Mercury Added Formulation  
[Rayovac Material Safety Sheets](#)



Dimensions shown are ANSI / IEC standards

**TYPICAL INITIAL SERVICE AT 70°F (HOURS)  
CUTOFF VOLTAGE**

APPLICATION <u>DUTY CYCLE</u>	LOAD <u>(OHMS)</u>	CURRENT <u>(MA at 1.2V)</u>	<u>CUTOFF VOLTAGE</u>				mAh <u>CAPACITY To 0.9V</u>
			1.2V	1.1V	1.0V	0.9V	
RADIO (4 HRS/DAY)	75	16	50	57	66	71	1,187
CASSETTE (1 HR/DAY)	10	120	3.8	6.5	7.8	8.8	1,040
FLASHLIGHT (4 MIN/HR-8 HR/DAY)	5.1	235	1.3	2.7	3.4	4.0	903
PHOTO (10 SEC/MIN- 1 HR DAY)	N/A	600			349 PULSES	473 PULSES	-
REMOTE CONTROL (15 SEC/MIN- 8 HR DAY)	24	50			22.5 HOURS		-
PAGER (10 SEC/HR-1.2 mA BACKGROUND)	N/A	120			628 PULSES		-

**This data is subject to change. Performance information is typical. Contents herein do not constitute a warranty.**