

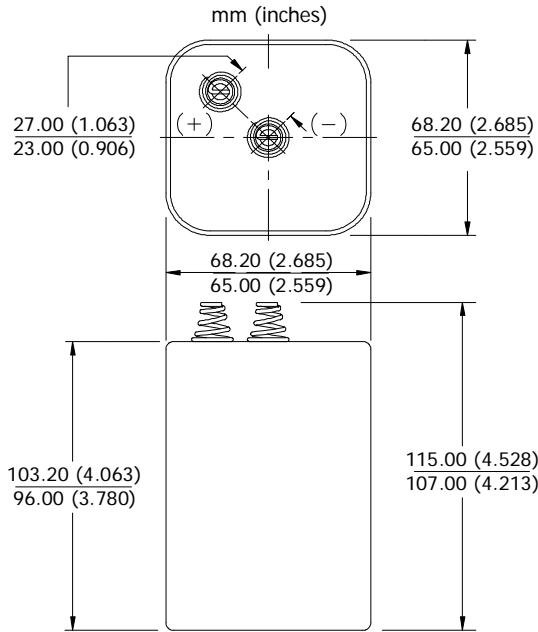
**ENERGIZER 529**

**USA Construction Specifications**

**6V**



**Industry Standard Dimensions**

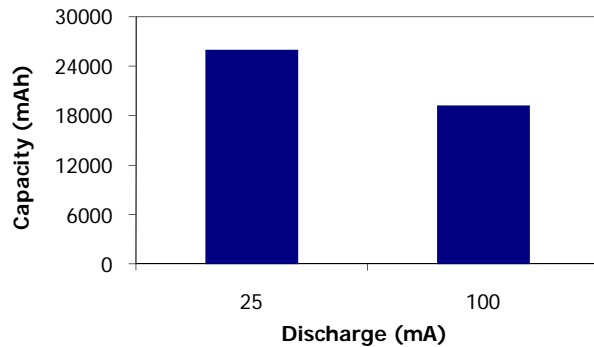


This battery shall pass freely through a cylindrical tube 82.6 diameter x 101.6 long.

<b>Classification:</b>	Alkaline
<b>Chemical System:</b>	Zinc-Manganese Dioxide (Zn/MnO <sub>2</sub> ) No added mercury or cadmium
<b>Designation:</b>	ANSI-908A, IEC-4LR25
<b>Nominal Voltage:</b>	6.0 volts
<b>Operating Temp:</b>	-18°C to 55°C (0°F to 130°F)
<b>Typical Weight:</b>	885 grams (31.3 oz.)
<b>Typical Volume:</b>	440.4 cubic centimeters (26.9 cubic inch)
<b>Jacket:</b>	Metal
<b>Cells:</b>	Four 3-361 in series
<b>Terminal:</b>	Coil Spring

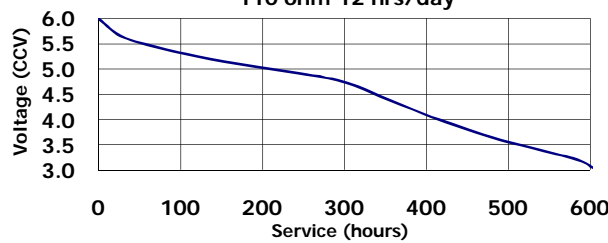
**Milliamp-Hours Capacity**

Continuous discharge to 3.2 volts at 21°C

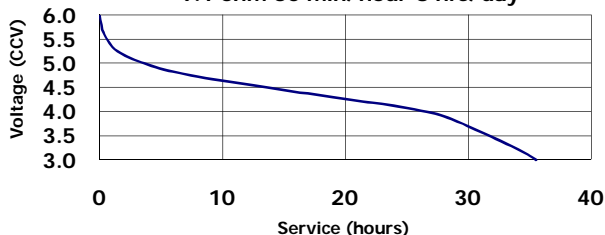


**Industry Standard Tests (21°C)**

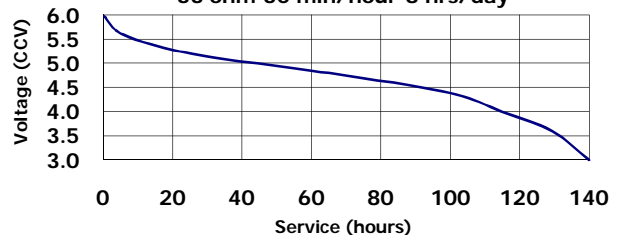
**STEADY BURN BARRICADE**  
110 ohm 12 hrs/day



**LIGHTING**  
9.1 ohm 30 min/hour 8 hrs/day



**LIGHTING**  
33 ohm 30 min/hour 8 hrs/day



**Important Notice**

This datasheet contains typical information specific to products manufactured at the time of its publication.  
©Energizer Holdings, Inc. - Contents herein do not constitute a warranty.