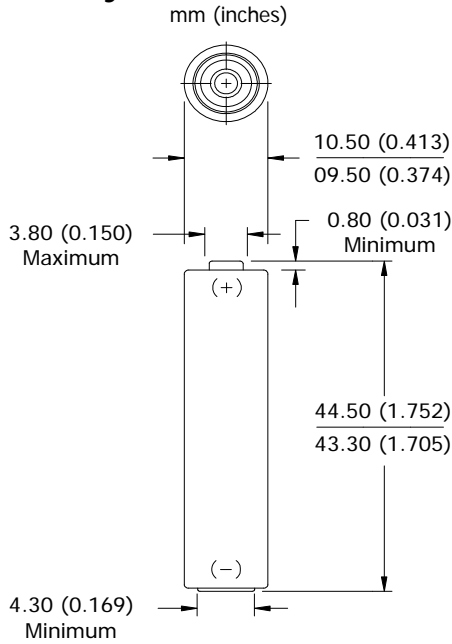


**ENERGIZER EA92**  
Advanced Lithium

**AAA**



**Industry Standard Dimensions**



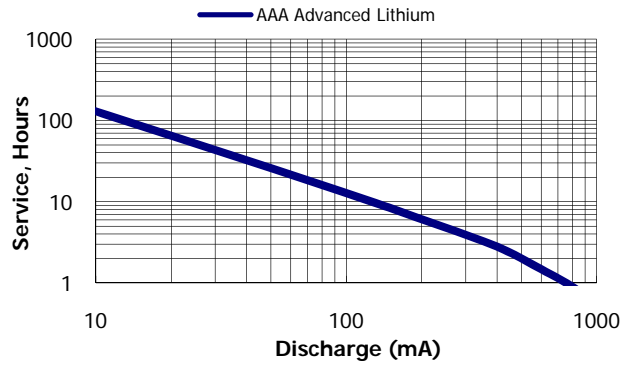
**Specifications**

|                            |  |
|----------------------------|--|
| <b>Classification:</b>     | "Cylindrical Lithium"  |
| <b>Chemical System:</b>    | Lithium/Iron Disulfide (Li/FeS <sub>2</sub> )  |
| <b>Designation:</b>        | ANSI 24-LF, IEC-FR03   |
| <b>Nominal Voltage:</b>    | 1.5 Volts  |
| <b>Typical Weight:</b>     | 7.6 grams (0.3 oz.)  |
| <b>Typical Volume:</b>     | 3.8 cubic centimeters (0.2 cubic inch)   |
| <b>Max Discharge:</b>      | 1.0 Amps Continuous  |
| (single battery only)      | 1.5 Amps Pulse (2 sec on / 8 sec off)  |
| <b>Typical Li Content:</b> | 0.5 grams (0.02 oz.)   |
| <b>Typical IR:</b>         | 90 to 150 milliohms*   |
| <b>Shelf Life:</b>         | 10 years at 21°C (80% of rated capacity)   |
| <b>Transportation:</b>     | For complete details, please reference:  |
| Global (except US):        | Special Provision A45 of the International Air Transport Association Dangerous Goods Regulations |
| United States:             | 49 CFR 173.185   |

\* For additional information, please reference the [IR technical white paper](#).

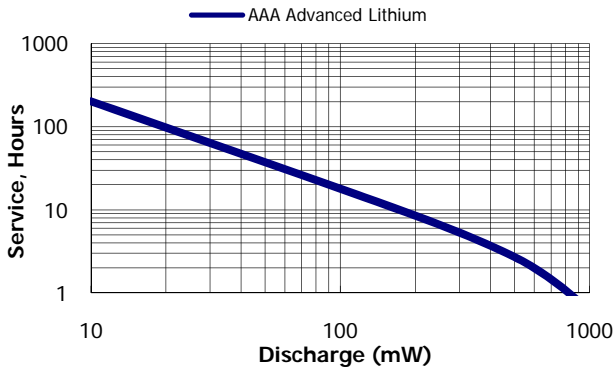
**Constant Current Performance**

Typical Characteristics to 1.0 Volts at 21°C



**Constant Power Performance**

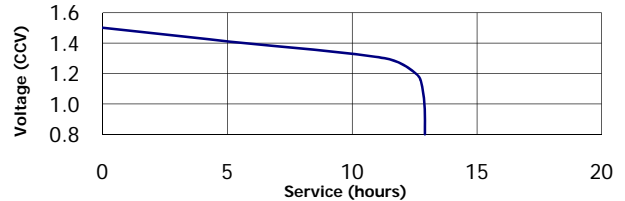
Typical Characteristics to 1.0 Volts at 21°C



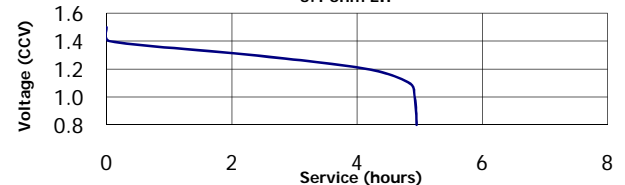
**Application Tests**

Typical Characteristics at 21°C

TAPE / ELECTRONIC GAME / DIGITAL AUDIO  
100 mA 1 hr/day



PORTABLE LIGHTING  
5.1 ohm LIF



**Important Notice**

This datasheet contains typical information specific to products manufactured at the time of its publication.  
©Energizer Holdings, Inc. - Contents herein do not constitute a warranty.