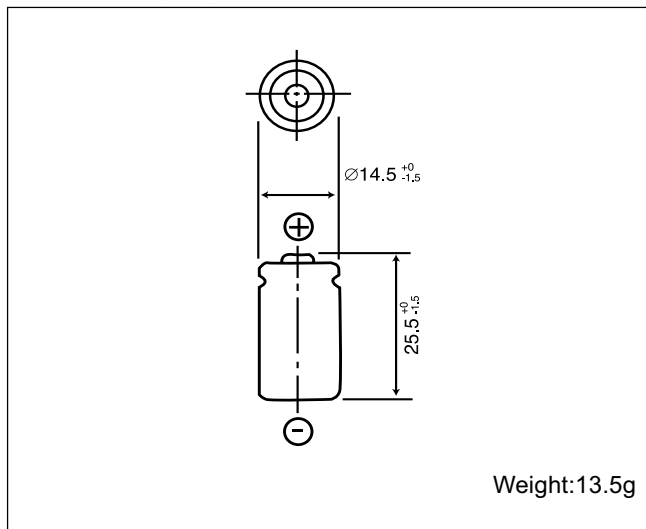


# Poly-carbonmonofluoride Lithium Batteries: Individual Specifications

## BR-1/2AA

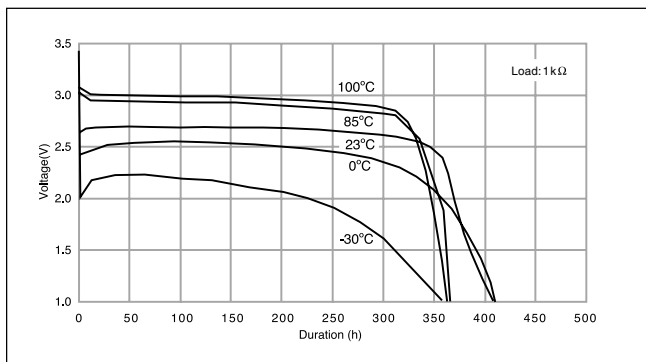
### ■ Dimensions(mm)



### ■ Specification

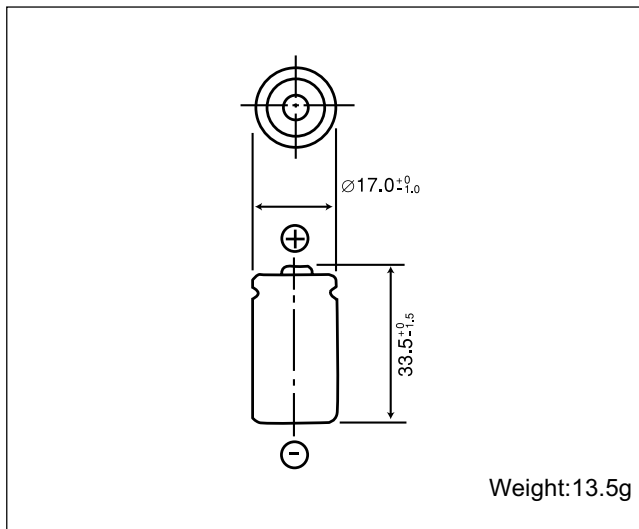
Nominal voltage (V)	3
Nominal capacity (mAh)	1,000
Continuous standard load (mA)	2.5
Operating temperature (C)	-40 ~ +100

### ■ Temperature Characteristics



## BR-2/3A

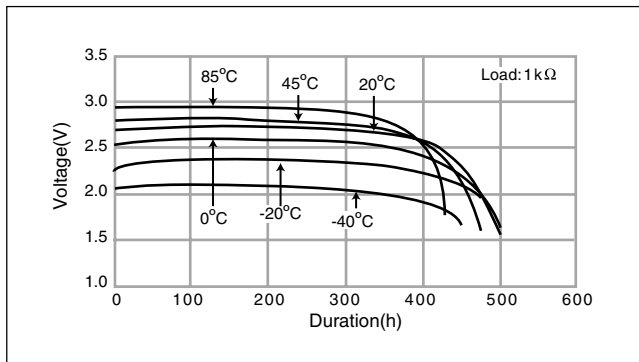
### ■ Dimensions(mm)



### ■ Specification

Nominal voltage(V)	3
Nominal capacity(mAh)	1,200
Continuous drain(mA)	2.5
Operating temperature(°C)	-40 ~ +85

### ■ Temperature Characteristics



### ■ Operating voltage vs. Discharge current(voltage at 50% discharge depth)

