



North American Headquarters
 601 Rayovac Drive
 Madison, WI 53711
 Telephone 1-800-331-4522
 Internet www.rayovac.com

Marketing Data Sheet - Batteries

S6600173
 Issue R
 Memo No: [MDSR0104](#)

Rayovac Stock Number: **814**

Name: **814 (C) ALKALINE**

ENGINEERING DATA:

Cell Chemistry: Alkaline

Designation: ANSI/NEDA – 14A (C), IEC – LR14

Nominal Voltage: 1.5 volts

Approximate Weight: 2.5 Oz (70 grams)

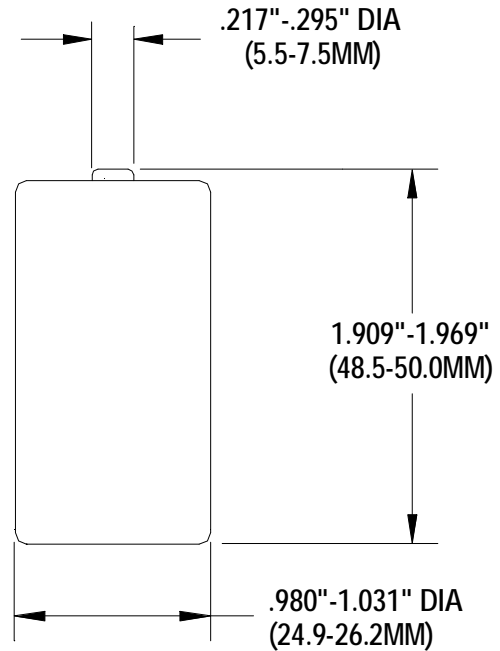
Approximate Volume: 1.6 CU IN (26.2 CU CM)

Operating Temp. Range: -30° C to 55° C (-20° F to 130° F)

Terminals: Flashlight

Shell: Plastic

Environmental: Meets Environmental Protection Agency (EPA) Requirements For Landfill Disposal.
 No Mercury Added Formulation
[Rayovac Material Safety Data Sheets](#)



Dimensions shown are
 ANSI/IEC standards

**TYPICAL INITIAL SERVICE AT 70°F (HOURS)
CUTOFF VOLTAGE**

APPLICATION DUTY CYCLE	LOAD (OHMS)	CURRENT (MA at 1.2V)	CUTOFF VOLTAGE					mAh CAPACITY To 0.9V
			1.2V	1.1V	1.0V	0.9V	0.8V	
RADIO (4 HRS/DAY)	20	60	79	97	118	128	-	7,848
CASSETTE (1 HR/DAY)	6.8	176	18.6	29.1	33.8	37.7	-	6,689
FLASHLIGHT (4 MIN/HR-8 HR/DAY)	3.9	308	9.3	15.6	19.1	20.9	-	6,364
TOY/GAME (1 HR/DAY)	3.9	308	7.2	13.6	17.5	19.8	21.7	5,942
FLASHLIGHT (CONTINUOUS)	3.9	308	6.2	12.6	17.2	20.0	22.2	5,853

This data is subject to change. Performance information is typical. Contents herein do not constitute a warranty.