

303

SR1154SW (SR44)
Watch Battery
Swiss Made

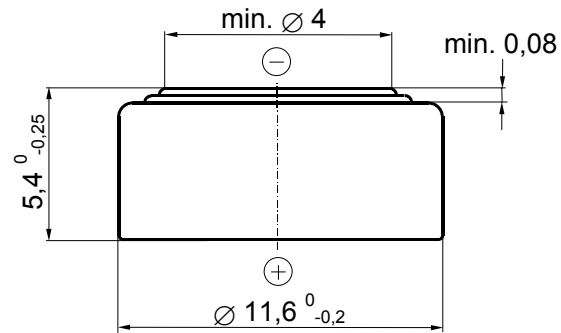
Technical Data Sheet

Specifications

| | |
|-----------------------|--|
| Chemical system | Zinc / Monovalent Silver Oxide, low drain |
| Nominal Voltage | 1,55 V |
| Capacity | 175 mAh, Discharge over 8,25 kΩ at 20°C to 1,2 V |
| Internal Resistance | Below 50 Ω at 20°C |
| Operating Temperature | 0°C – 50°C |
| Self Discharge | Less than 5% per year at 20°C |
| Weight | ~2,27 g |

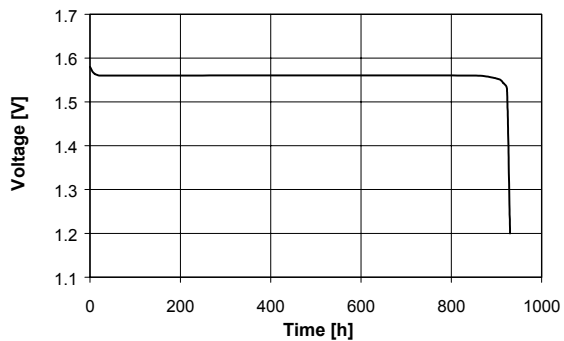
Dimensions

| | |
|----------|-------------------|
| Diameter | 11,60 mm (0,457") |
| Height | 5,40 mm (0,213") |



Discharge Curve

| | |
|----------------|----------|
| Constant Load | 8,25 kΩ |
| Starting Drain | 189,1 μA |
| Temperature | 20°C |



Rev. 303.03 06/02