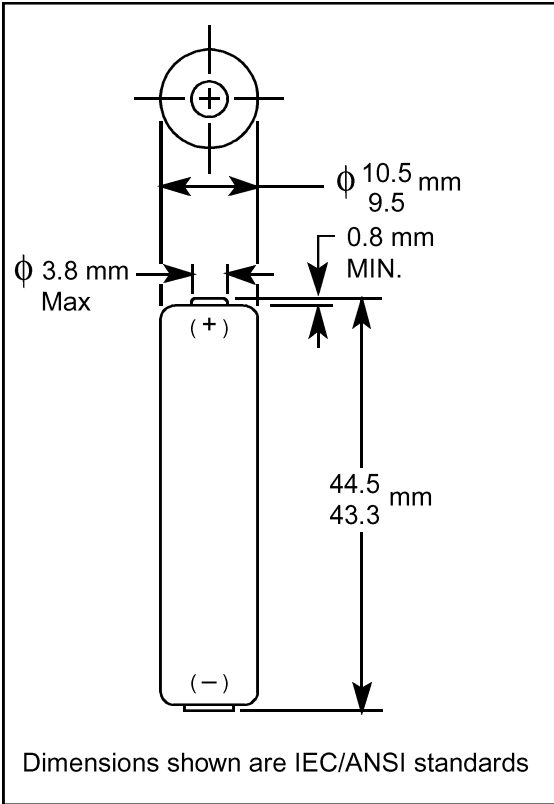


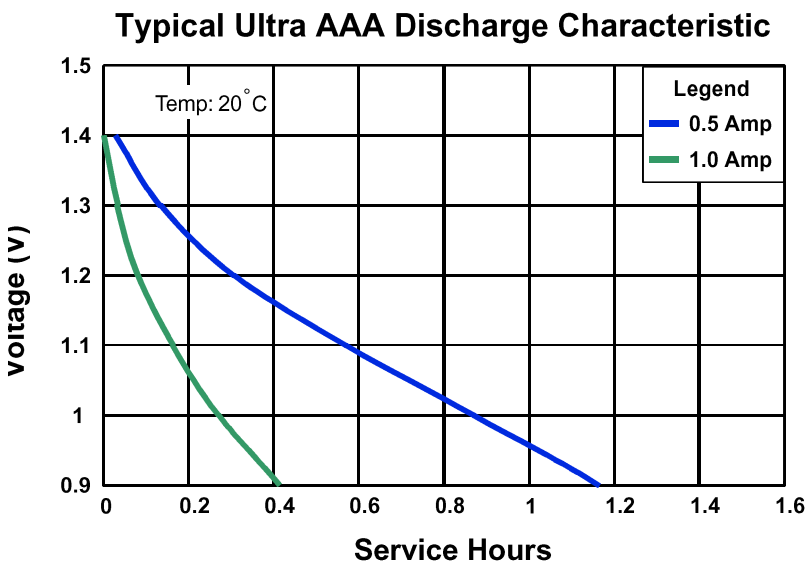
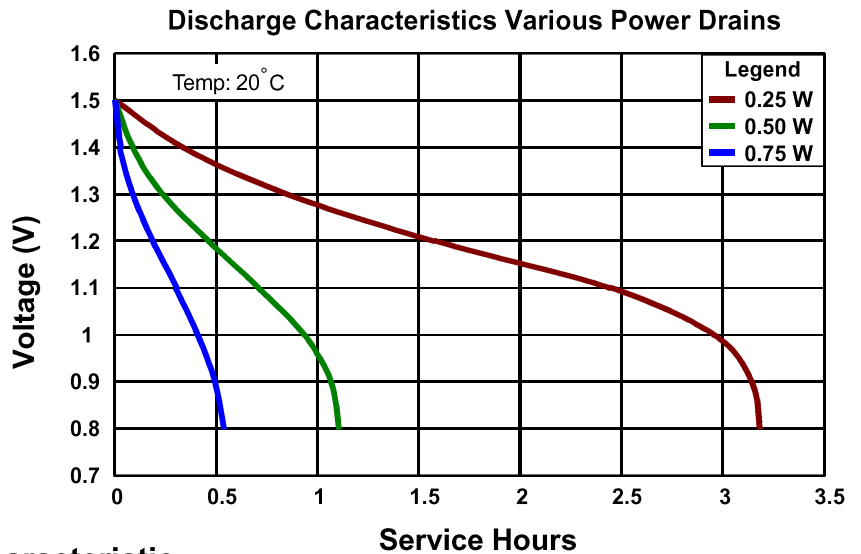


# Size: AAA (LR03) Alkaline-Manganese Dioxide Battery

Zn/MnO<sub>2</sub>



Nominal Voltage:	1.5 V
Nominal Internal Impedance:	114 m-ohm @ 1kHz
Average Weight:	11.2 gm (0.395 oz.)
Volume:	3.5 cm <sup>3</sup> (0.21 in. <sup>3</sup> )
Terminals:	Flat
Operating Temperature Range:	-20°C to 54°C (-4°F to 130°F)
ANSI:	24A
IEC:	LR03



\* Delivered capacity is dependent on the applied load, operating temperature and cut-off voltage. Please refer to the charts and discharge data shown for examples of the energy / service life that the battery will provide for various load conditions.

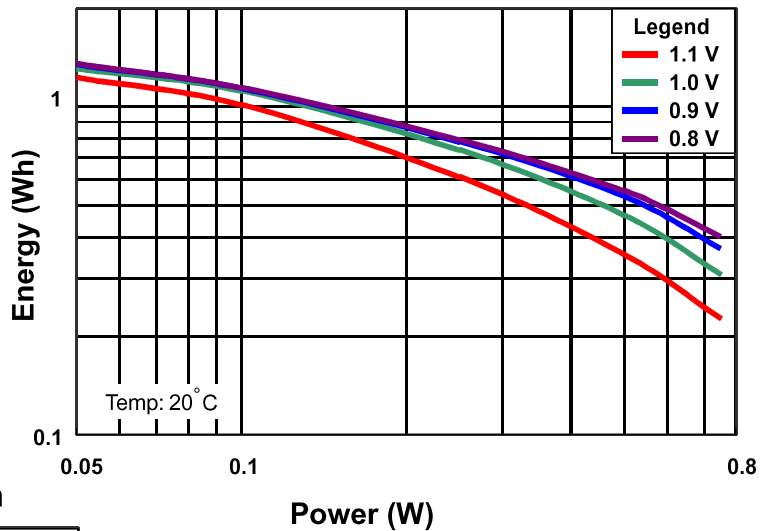


# Size: AAA (LR03)

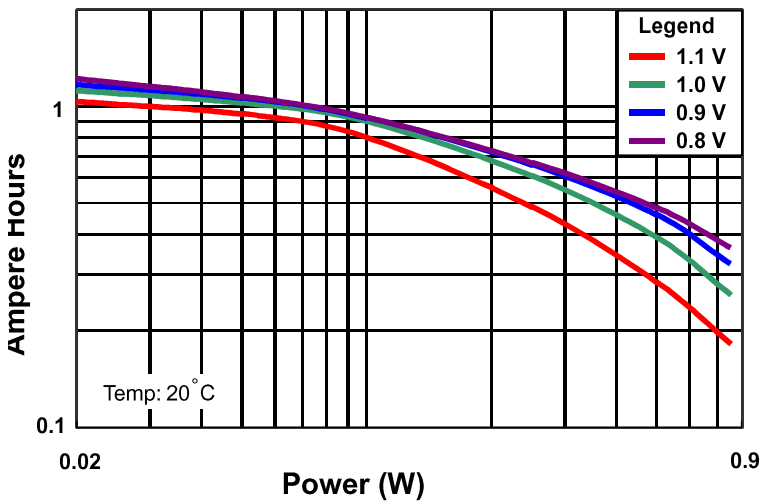
## Alkaline-Manganese Dioxide Battery

Zn/MnO<sub>2</sub>

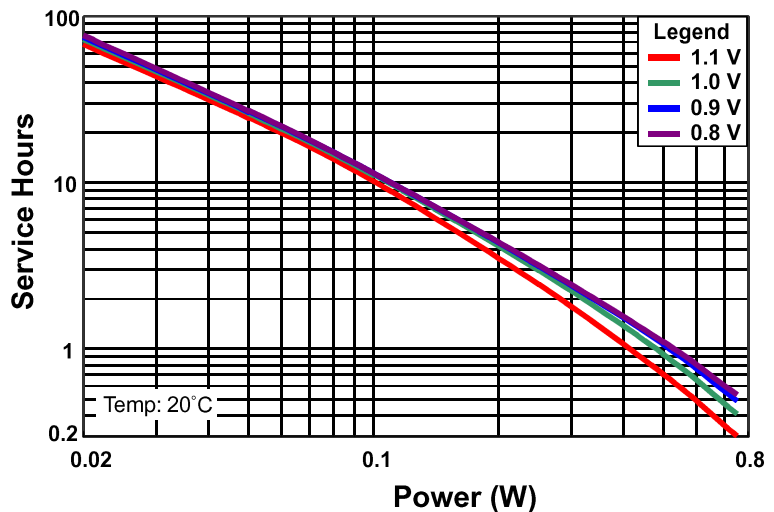
### Delivered Energy vs Power Drain



### Delivered Capacity vs Power Drain



### Service Hours vs Power Drain



# DURACELL®

BATTERIES

Berkshire Corporate Park  
Bethel, CT 06801 U.S.A.  
Telephone: Toll-free 1-800-834-2656  
Internet: www.duracell.com

\* Delivered capacity is dependent on the applied load, operating temperature and cut-off voltage. Please refer to the charts and discharge data shown for examples of the energy / service life that the battery will provide for various load conditions.