

FRP NEMA rating 3, 3R, 4, 4X, 12 & 13 CVJ Series with Stainless Steel Padlockable Latch(s) and a Stainless Steel Piano Hinge. Clearview Bonded Window on Cover



FEATURES

- All CVJ Series enclosures are designed to meet the Joint Industrial Council (JIC) standards in the United States.
- CVJ's are made from corrosion resistant hot compression molded fiberglass reinforced polyester with transparent lexana windows. These enclosures do not contain halogens.
- The CVJ Series "HWPL" enclosures include one or two stainless steel padlockable latches to secure one side of the cover to the base and a stainless steel piano hinge that secures the other. Rivets connect the hinge to the cover and self-tapping screws connect the screws to the base.
- Seven sizes are available from 6" x 6" to 18" x 16"
- Vynckier's CVJ enclosures are capable of withstanding continuous temperatures from -58°F (-50°C) up to 302°F (150°C).
- CVJ enclosures provide protection for equipment and operators from indirect

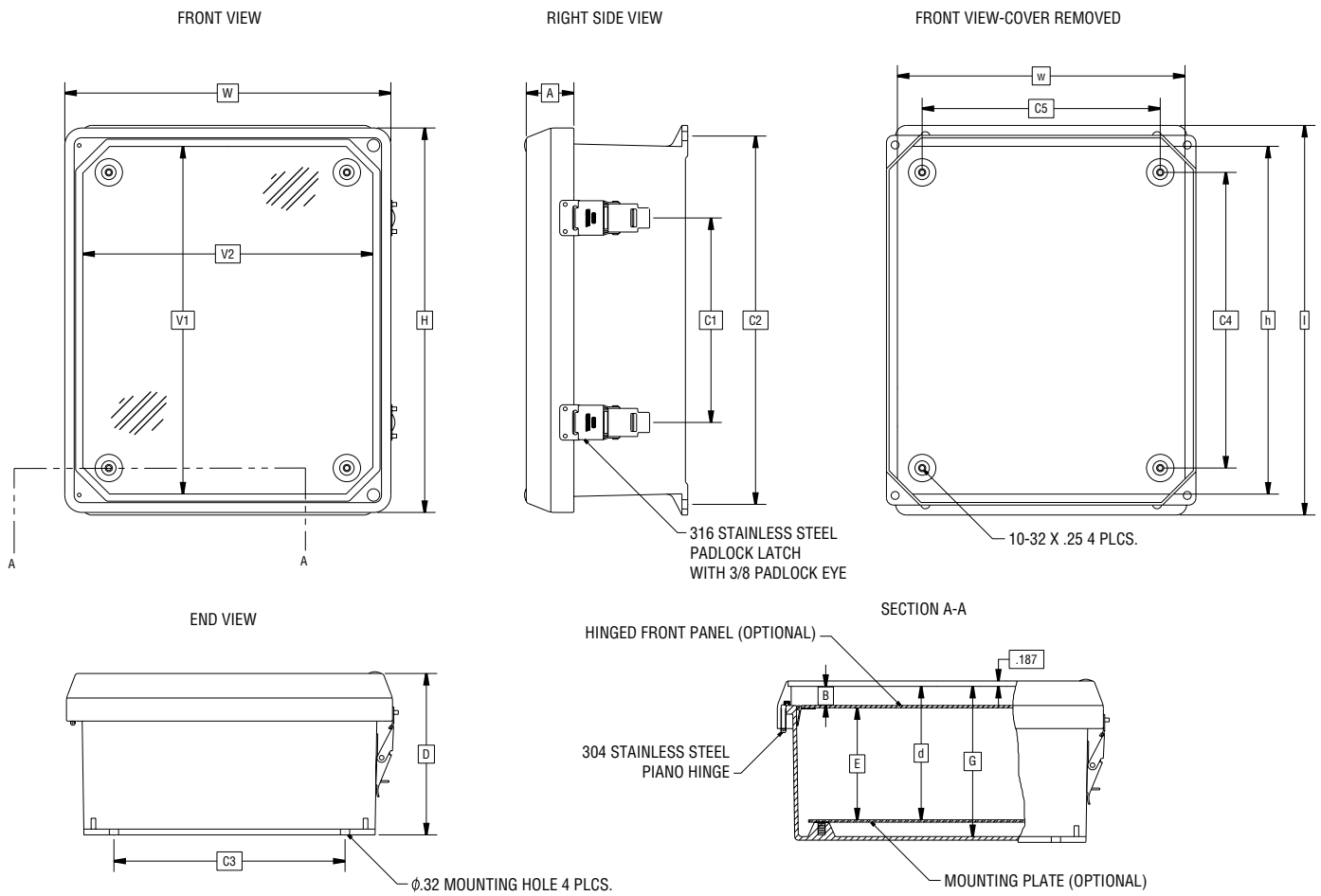
electrical contact.

- All CVJ enclosures are UL listed per UL Standard 508 for NEMA 3, 3R, 4, 4X, 12 & 13; CSA Certified per Standard C22.2-0, 0.4, 0.7, 0.6, 94 Type 3, 3R, 4, 4X, 12 & 13.

OPTIONAL ACCESSORIES

- Aluminum, Painted Steel or non-metallic Mounting Plates
- Aluminum Hinged Front Plates
- Aluminum Front Plates with quarter turn brackets
- MEDV Air Vents
- Backpanel stand-offs in four different lengths

Clear Cover, SS Hinge Padlock Latch	Outside Dimension			Inside Dimension			Weight	Mounting Plates				Front Panels	
	H	W	D	h	w	d		Aluminum	Steel	Non-Metallic	Dimensions	Plain	Hinged
CVJ606HWPL1 (mm)	7.31 (186)	7.31 (186)	4.96 (126)	6.00 (152)	6.00 (152)	4.10 (104)	2.8 lb 1.27 kg	MP606A	MP606S	MP606N	4.88 x 4.88 (124 x 124)	VFP606A	VFPH606A
CVJ806HWPL1 (mm)	9.30 (236)	7.31 (186)	4.96 (126)	8.00 (203)	6.00 (152)	4.10 (104)	3.8 lb 1.72 kg	MP806A	MP806S	MP806N	6.75 x 4.88 (171 x 124)	VFP806A	VFPH806A
CVJ1008HWPL1 (mm)	11.31 (287)	9.31 (236)	5.43 (138)	10.00 (254)	8.00 (203)	4.59 (117)	4.8 lb 2.17 kg	MP1008A	MP1008S	MP1008N	8.75 x 6.88 (222 x 175)	VFP1008A	VFPH1008A
CVJ1210HWPL2 (mm)	13.30 (338)	11.29 (287)	5.58 (142)	12.00 (305)	10.00 (254)	4.74 (120)	6.3 lb 2.85 kg	MP1210A	MP1210S	MP1210N	10.50 x 8.88 (267 x 226)	VFP1210A	VFPH1210A
CVJ1412HWPL2 (mm)	15.32 (389)	13.30 (338)	6.70 (170)	14.00 (356)	12.00 (305)	5.74 (146)	8.6 lb 3.90 kg	MP1412A	MP1412S	MP1412N	12.75 x 10.88 (324 x 276)	VFP1412A	VFPH1412A
CVJ1614HWPL2 (mm)	17.31 (440)	15.30 (389)	6.70 (170)	16.00 (406)	14.00 (356)	5.74 (146)	10.6 lb 4.80 kg	MP1614A	MP1614S	MP1614N	14.75 x 12.88 (375 x 327)	VFP1614A	VFPH1614A
CVJ1816HWPL2 (mm)	19.31 (490)	17.31 (440)	9.58 (243)	18.00 (457)	16.00 (406)	8.62 (219)	14.0 lb 6.34 kg	MP1816A	MP1816S	MP1816N	16.75 x 14.88 (426 x 378)	VFP1816A	VFPH1816A



Clear Cover, SS Hinge Padlock Latch	Outside Dimension			Inside Dimension			Dimensions											Window	
	H	W	D	h	w	d	A	B	C1	C2	C3	C4	C5	E	G	I	V1	V2	
CVJ606HWPL1 (mm)	7.31 (186)	7.31 (186)	4.96 (126)	6.00 (152)	6.00 (152)	4.10 (104)	1.38 35	0.50 13	Ctr -	6.77 172	4.01 102	4.26 108	4.25 108	3.70 94	4.64 118	7.52 191	6.00 152	6.00 152	
CVJ806HWPL1 (mm)	9.30 (236)	7.31 (186)	4.96 (126)	8.00 (203)	6.00 (152)	4.10 (104)	1.77 45	1.65 42	Ctr -	8.74 222	4.01 102	6.26 159	4.25 108	3.70 94	4.64 118	9.50 241	8.00 203	6.00 152	
CVJ1008HWPL1 (mm)	11.31 (287)	9.31 (236)	5.43 (138)	10.00 (254)	8.00 (203)	4.59 (117)	1.77 45	1.65 42	Ctr -	10.75 273	6.02 153	8.25 210	6.24 158	3.92 100	5.12 130	11.52 293	10.00 254	8.00 203	
CVJ1210HWPL2 (mm)	13.30 (338)	11.29 (287)	5.58 (142)	12.00 (305)	10.00 (254)	4.74 (120)	1.77 45	1.65 42	7.09 180	12.75 324	8.01 203	10.25 160	8.25 210	4.10 104	5.24 133	13.51 343	12.00 305	10.00 254	
CVJ1412HWPL2 (mm)	15.32 (389)	13.30 (338)	6.70 (170)	14.00 (356)	12.00 (305)	5.74 (146)	1.77 45	1.65 42	9.56 243	14.75 375	10.00 254	12.25 311	10.24 260	4.98 126	6.38 162	15.50 394	14.00 356	12.00 305	
CVJ1614HWPL2 (mm)	17.31 (440)	15.30 (389)	6.70 (170)	16.00 (406)	14.00 (356)	5.74 (146)	1.77 45	1.65 42	9.56 243	16.73 425	12.00 305	14.25 362	12.24 311	4.98 126	6.38 162	17.52 445	16.00 406	14.00 356	
CVJ1816HWPL2 (mm)	19.31 (490)	17.31 (440)	9.58 (243)	18.00 (457)	16.00 (406)	8.62 (219)	1.77 45	1.65 42	11.37 289	18.74 476	12.00 305	16.25 413	14.25 362	7.86 200	9.25 235	19.50 495	18.00 457	16.00 406	