



## Application

CONCEPT enclosures house and protect your sensitive electrical or electronic components from harsh, dirty environments. For use in installations where dirt, dust, oil, water, or other contaminants are present. Streamlined styling, flush latches, and an attractive, durable finish complement other electronic equipment.

See EMC Enclosures for a related EMC-shielded product.

## Construction

- 16 or 14 gauge steel (see table)
- Seams continuously welded and ground smooth
- Minimum-width body flange provides maximum door opening (210°)
- Body flange trough excludes liquids and contaminants
- Panel mounting studs fit optional CONCEPT panels and other accessories
- Mounting holes in back of body for direct mounting or for optional external wall-mounting brackets
- Hidden hinges for clean, aesthetic appearance
- Doors are interchangeable and easily removed by pulling captive hinge pins
- Seamless foam-in-place gasket provides oiltight and dusttight seal against contaminants
- Quarter-turn slotted latch
- Door support ramp on doors 30 inches wide and wider (except window-door models)
- Four hinges on 60-inch-high doors
- Grounding stud on body
- Provision for thermoplastic data pocket (right door on two-door models)
- Hardware kit with panel mounting nuts, panel grounding hardware, and sealing washers for wall mounting holes
- Installation instructions for enclosure and accessories are provided

### CONCEPT single-door enclosures with solid door

- Door bar on hinge side for wire management and bonding
- Additional door bar on larger doors
- Three-point latch system on larger enclosures furnished with flush, slotted insert. Optional handles or inserts are available.

### CONCEPT single-door enclosures with windows

- Clear polycarbonate window is flush with door surface
- Quarter-turn latch(es) with flush slotted insert

### CONCEPT flush-mount enclosures

- Mounting frame extends completely around enclosure
- Quarter-turn latch(es) with slotted insert

### CONCEPT two-door enclosures

- Patented overlapping door design provides full-width access
- Door bars on each door for wire management and bonding
- Three-point latch system on right door furnished with flush slotted insert

## Finish

Two standard finishes are available over phosphatized surfaces: ANSI 61 gray polyester powder paint inside and out or RAL 7035 textured light gray polyester powder paint inside and out. Optional panels have white or conductive finish.

## Industry Standards

*Wall-mounting brackets required to maintain UL/CSA external mounting requirement.*

### CONCEPT solid single-door, door with window, and flush-mount models

UL 508A, File No. E61997: Type 4 and 12  
NEMA/EEMAC Type 4, 12, and 13  
CSA, File No. 42186: Type 4 and 12  
VDE IP66  
IEC 60529, IP66

### CONCEPT two-door models

UL 508A, File No. E61997: Type 12  
NEMA/EEMAC Type 12  
CSA, File No. 42186, Type 12  
VDE IP 55  
IEC 60529, IP55

## Patents

This product is covered by the following patents:

US D360,345  
US 5,509,703  
US 5,666,695  
DE 9405854.7  
EP 0729541

*Other patents pending.*

## Accessories

Adjustable-Depth Mounting Kit  
 Data Pocket (except window door style)  
 Dead Front Kit  
 DIN3 Rail Kit  
 Door Stop Kit (except window door style)  
 Electric Heater  
 External Data Pocket  
 Fan Cooling Products  
 Grid Straps  
 Handles and Latches  
 INTERSAFE<sup>®</sup> Data Interface Ports  
 Key Inserts  
 Lighting Kits  
 Mounting Channels  
 Panel Conversion Kit  
 Panels (see tables)  
 Panels, NEMA (with panel conversion kit)  
 Pole Mounting Kit  
 Rack Mounting Angles  
 Swing-Out Panel Kit  
 Swing-Out Rack Frames  
 Terminal Block Kit Assembly  
 Touch-Up-Paint (ATPPY6I for ANSI 61 or ATPG7035 for RAL 7035)  
 Wall-Mounting Bracket Kit (required to maintain UL/CSA external mounting requirement)

## Data Pockets for Solid Door Enclosures

Enclosure Size A in. (mm)	Enclosure Size B in. (mm)	Pocket
Any	12.00 (305)	None
< 30.00 (762)	< 20.00 (508)	Small
> 30.00 (762)	> 20.00 (508)	Large

## Modification Services Program

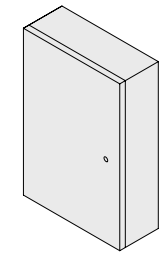
You can customize this product to your unique requirements by specifying from these options:

- Enclosure height, width, depth (not available on doors with windows)
- Over 100 standard finish colors and textures
- Holes and cutouts in body, doors, subpanels
- Tapped holes, fasteners in enclosure or subpanel
- Doors
- Subpanels
- Structural changes
- Environmental control (louvers, fans, filters)
- Windows
- Standard accessories

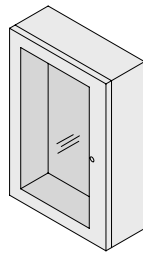
To order, contact your local Hoffman sales representative.

*NOTE: For information about modifications outside the scope of the Modification Services program, contact your Hoffman sales representative.*

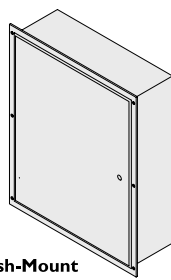
## The CONCEPT Enclosure Group Accessory Selection Guide



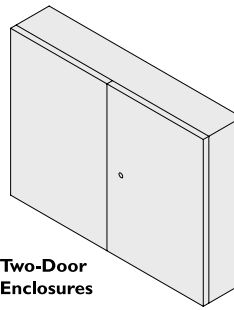
Steel or Stainless Steel Enclosures



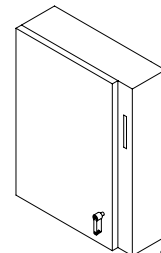
Steel or Stainless Steel Window-Door Enclosures



Flush-Mount Enclosures



Two-Door Enclosures

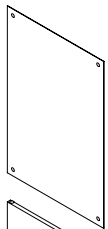


Steel or Stainless Steel Disconnect Enclosures

87794894

See Accessories: CONCEPT Wall-Mount Enclosure Accessories.

### Internal Accessories



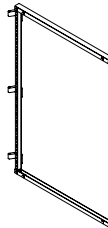
Steel Panels



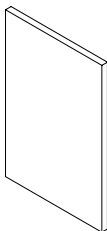
Swing-Out Panels



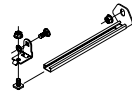
NEMA Panel Conversion Kit



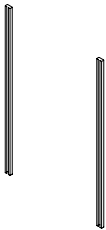
Swing-Out Rack Frames for 19 inch Rack Mount Equipment



Dead Front Kits



Adjustable Depth Panel Mounting Kits



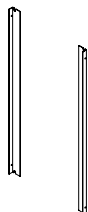
Accessory Mounting Channels



DIN3 Rail Kits

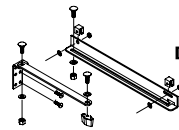


Grid Straps



Rack Mounting Angles for 19 inch Rack Mount Equipment

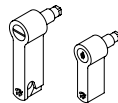
### Door Accessories



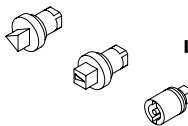
Door Stop Kit



Data Pockets

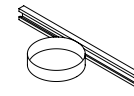


Handles and Latches

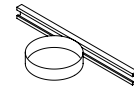


Lock Inserts

### External Accessories



Pole Mounting Kits



Wall Mounting Bracket Kit

C2588-C

# CONCEPT® Wall-Mounted Enclosures

## Standard Sizes CONCEPT Single-Door Wall-Mounted Enclosures

Catalog Number ANSI 61 Gray	Catalog Number RAL 7035 Lt. Gray	A x B x C in. (mm)	Door Gauge	Body Gauge	CONCEPT Panel Catalog Number	Conductive CONCEPT Panel Catalog Number	Panel Size D x E in. (mm)	Mounting G x H in. (mm)	Latches (qty)	Latches (style)	J in. (mm)
CSD12126	CSD12126LG	12.00 x 12.00 x 6.00 (305 x 305 x 152)	16	16	CP1212	CP1212G	10.20 x 10.20 (259 x 259)	10.50 x 10.50 (267 x 267)	1	Qtturn.	6.00 (152)
CSD16126	CSD16126LG	16.00 x 12.00 x 6.00 (406 x 305 x 152)	16	16	CP1612	CP1612G	14.20 x 10.20 (361 x 259)	14.50 x 10.50 (368 x 267)	1	Qtturn.	8.00 (203)
CSD16166	CSD16166LG	16.00 x 16.00 x 6.00 (406 x 406 x 152)	16	16	CP1616	CP1616G	14.20 x 14.20 (361 x 361)	14.50 x 14.50 (368 x 368)	1	Qtturn.	8.00 (203)
CSD16206	CSD16206LG	16.00 x 20.00 x 6.00 (406 x 508 x 152)	16	16	CP2016	CP2016G	18.20 x 14.20 (462 x 361)	14.50 x 18.50 (368 x 470)	1	Qtturn.	8.00 (203)
CSD20166	CSD20166LG	20.00 x 16.00 x 6.00 (508 x 406 x 152)	16	16	CP2016	CP2016G	18.20 x 14.20 (462 x 361)	18.50 x 14.50 (470 x 368)	1	Qtturn.	10.00 (254)
CSD20206	CSD20206LG	20.00 x 20.00 x 6.00 (508 x 508 x 152)	16	16	CP2020	CP2020G	18.20 x 18.20 (462 x 462)	18.50 x 18.50 (470 x 470)	1	Qtturn.	10.00 (254)
CSD24166	CSD24166LG	24.00 x 16.00 x 6.00 (610 x 406 x 152)	16	16	CP2416	CP2416G	22.20 x 14.20 (564 x 361)	22.50 x 14.50 (572 x 368)	1	Qtturn.	12.00 (305)
CSD24206	CSD24206LG	24.00 x 20.00 x 6.00 (610 x 508 x 152)	16	16	CP2420	CP2420G	22.20 x 18.20 (564 x 462)	22.50 x 18.50 (572 x 470)	1	Qtturn.	12.00 (305)
CSD24246	CSD24246LG	24.00 x 24.00 x 6.00 (610 x 610 x 152)	14	16	CP2424	CP2424G	22.20 x 22.20 (564 x 564)	22.50 x 22.50 (572 x 572)	2	Qtturn.	5.00 (127)
CSD16128	CSD16128LG	16.00 x 12.00 x 8.00 (406 x 305 x 203)	16	16	CP1612	CP1612G	14.20 x 10.20 (361 x 259)	14.50 x 10.50 (368 x 267)	1	Qtturn.	8.00 (203)
CSD16168	CSD16168LG	16.00 x 16.00 x 8.00 (406 x 406 x 203)	16	16	CP1616	CP1616G	14.20 x 14.20 (361 x 361)	14.50 x 14.50 (368 x 368)	1	Qtturn.	8.00 (203)
CSD16208	CSD16208LG	16.00 x 20.00 x 8.00 (406 x 508 x 203)	16	16	CP2016	CP2016G	18.20 x 14.20 (462 x 361)	14.50 x 18.50 (368 x 470)	1	Qtturn.	8.00 (203)
CSD20168	CSD20168LG	20.00 x 16.00 x 8.00 (508 x 406 x 203)	16	16	CP2016	CP2016G	18.20 x 14.20 (462 x 361)	18.50 x 14.50 (470 x 368)	1	Qtturn.	10.00 (254)
CSD20208	CSD20208LG	20.00 x 20.00 x 8.00 (508 x 508 x 203)	16	16	CP2020	CP2020G	18.20 x 18.20 (462 x 462)	18.50 x 18.50 (470 x 470)	1	Qtturn.	10.00 (254)
CSD20248	CSD20248LG	20.00 x 24.00 x 8.00 (508 x 610 x 203)	16	16	CP2420	CP2420G	22.20 x 18.20 (564 x 462)	18.50 x 22.50 (470 x 572)	1	Qtturn.	10.00 (254)
CSD24168	CSD24168LG	24.00 x 16.00 x 8.00 (610 x 406 x 203)	16	16	CP2416	CP2416G	22.20 x 14.20 (564 x 361)	22.50 x 14.50 (572 x 368)	1	Qtturn.	12.00 (305)
CSD24208	CSD24208LG	24.00 x 20.00 x 8.00 (610 x 508 x 203)	16	16	CP2420	CP2420G	22.20 x 18.20 (564 x 462)	22.50 x 18.50 (572 x 470)	1	Qtturn.	12.00 (305)
CSD24248	CSD24248LG	24.00 x 24.00 x 8.00 (610 x 610 x 203)	14	16	CP2424	CP2424G	22.20 x 22.20 (564 x 564)	22.50 x 22.50 (572 x 572)	2	Qtturn.	5.00 (127)
CSD24308	CSD24308LG	24.00 x 30.00 x 8.00 (610 x 762 x 203)	14	16	CP3024	CP3024G	28.20 x 22.20 (716 x 564)	22.50 x 28.50 (572 x 724)	2	Qtturn.	5.00 (127)
CSD30208	CSD30208LG	30.00 x 20.00 x 8.00 (762 x 508 x 203)	14	16	CP3020	CP3020G	28.20 x 18.20 (716 x 462)	28.50 x 18.50 (724 x 470)	2	Qtturn.	5.00 (127)
CSD30248	CSD30248LG	30.00 x 24.00 x 8.00 (762 x 610 x 203)	14	14	CP3024	CP3024G	28.20 x 22.20 (716 x 564)	28.50 x 22.50 (724 x 572)	2	Qtturn.	5.00 (127)
CSD30308	CSD30308LG	30.00 x 30.00 x 8.00 (762 x 762 x 203)	14	14	CP3030	CP3030G	28.20 x 28.20 (716 x 716)	28.50 x 28.50 (724 x 724)	2	Qtturn.	5.00 (127)
CSD36248	CSD36248LG	36.00 x 24.00 x 8.00 (914 x 610 x 203)	14	16	CP3624	CP3624G	34.20 x 22.20 (869 x 564)	34.50 x 22.50 (876 x 572)	2	Qtturn.	5.00 (127)
CSD36308	CSD36308LG	36.00 x 30.00 x 8.00 (914 x 762 x 203)	14	14	CP3630	CP3630G	34.20 x 28.20 (869 x 716)	34.50 x 28.50 (876 x 724)	2	Qtturn.	5.00 (127)
CSD36368	CSD36368LG	36.00 x 36.00 x 8.00 (914 x 914.0 x 203.0)	14	14	CP3636	CP3636G	34.20 x 34.20 (869 x 869)	34.50 x 34.50 (876 x 876)	2	Qtturn.	5.00 (127)
CSD161210	CSD161210LG	16.00 x 12.00 x 10.00 (406 x 305 x 254)	16	16	CP1612	CP1612G	14.20 x 10.20 (361 x 259)	14.50 x 10.50 (368 x 267)	1	Qtturn.	8.00 (203)
CSD161610	CSD161610LG	16.00 x 16.00 x 10.00 (406 x 406 x 254)	16	16	CP1616	CP1616G	14.20 x 14.20 (361 x 361)	14.50 x 14.50 (368 x 368)	1	Qtturn.	8.00 (203)
CSD162010	CSD162010LG	16.00 x 20.00 x 10.00 (406 x 508 x 254)	16	16	CP2016	CP2016G	18.20 x 14.20 (462 x 361)	14.50 x 18.50 (368 x 470)	1	Qtturn.	8.00 (203)
CSD201610	CSD201610LG	20.00 x 16.00 x 10.00 (508 x 406 x 254)	16	16	CP2016	CP2016G	18.20 x 14.20 (462 x 361)	18.50 x 14.50 (470 x 368)	1	Qtturn.	10.00 (254)
CSD202010	CSD202010LG	20.00 x 20.00 x 10.00 (508 x 508 x 254)	16	16	CP2020	CP2020G	18.20 x 18.20 (462 x 462)	18.50 x 18.50 (470 x 470)	1	Qtturn.	10.00 (254)
CSD202410	CSD202410LG	20.00 x 24.00 x 10.00 (508 x 610 x 254)	16	16	CP2420	CP2420G	22.20 x 18.20 (564 x 462)	18.50 x 22.50 (470 x 572)	1	Qtturn.	10.00 (254)
CSD241610	CSD241610LG	24.00 x 16.00 x 10.00 (610 x 406 x 254)	16	16	CP2416	CP2416G	22.20 x 14.20 (564 x 361)	22.50 x 14.50 (572 x 368)	1	Qtturn.	12.00 (305)
CSD242010	CSD242010LG	24.00 x 20.00 x 10.00 (610 x 508 x 254)	16	16	CP2420	CP2420G	22.20 x 18.20 (564 x 462)	22.50 x 18.50 (572 x 470)	1	Qtturn.	12.00 (305)

Industrial Enclosures

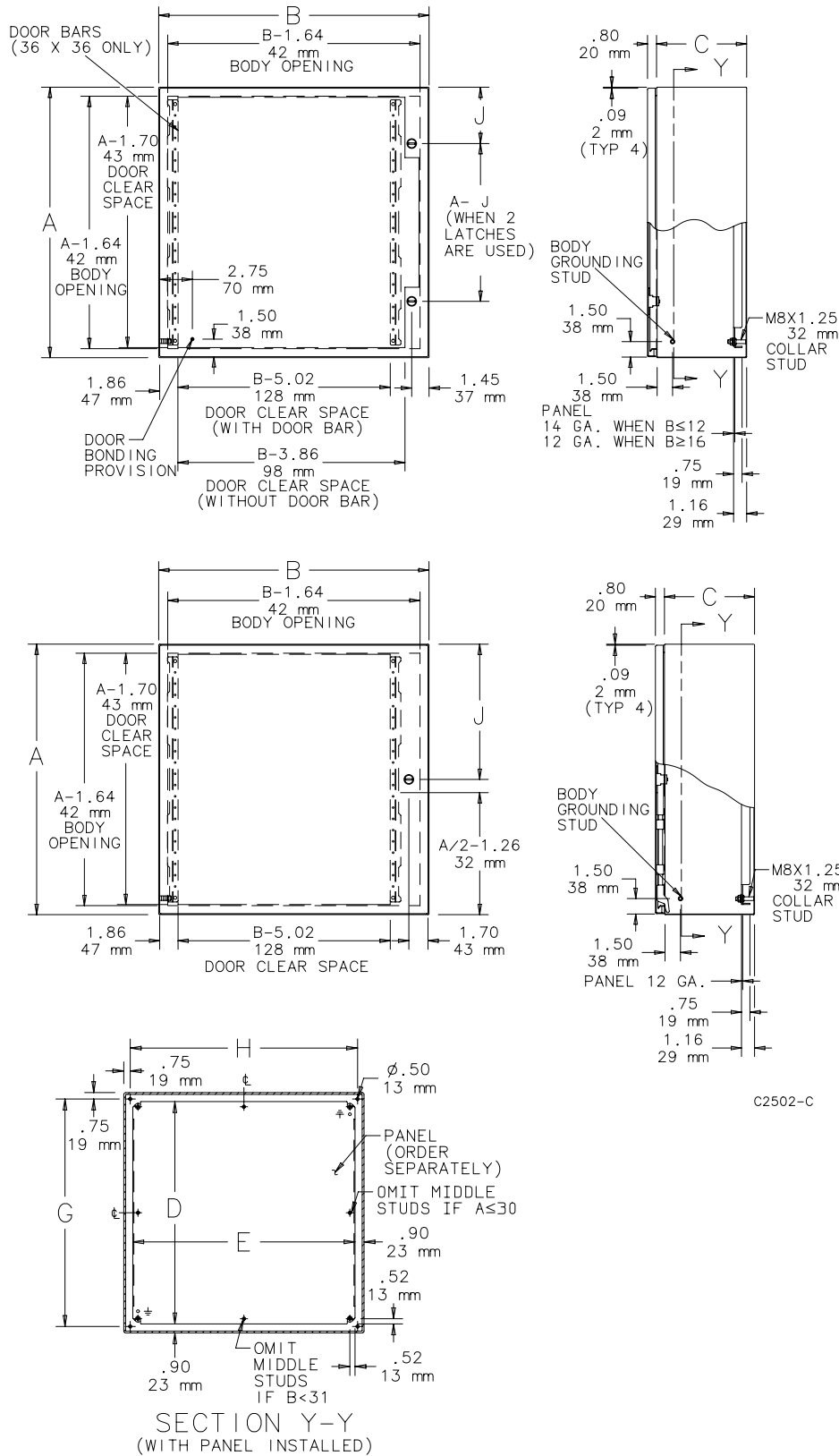
# CONCEPT® Wall-Mounted Enclosures

## Standard Sizes CONCEPT Single-Door Wall-Mounted Enclosures (Cont.)

Catalog Number ANSI 61 Gray	Catalog Number RAL 7035 Lt. Gray	A x B x C in. (mm)	Door Gauge	Body Gauge	CONCEPT Panel Catalog Number	Conductive CONCEPT Panel Catalog Number	Panel Size D x E in. (mm)	Mounting G x H in. (mm)	Latches (qty)	Latches (style)	J in. (mm)
CSD242410	CSD242410LG	24.00 x 24.00 x 10.00 (610 x 610 x 254)	14	16	CP2424	CP2424G	22.20 x 22.20 (564 x 564)	22.50 x 22.50 (572 x 572)	2	Qturn.	5.00 (127)
CSD243010	CSD243010LG	24.00 x 30.00 x 10.00 (610 x 762 x 254)	14	16	CP3024	CP3024G	28.20 x 22.20 (716 x 564)	22.50 x 28.50 (572 x 724)	2	Qturn.	5.00 (127)
CSD302010	CSD302010LG	30.00 x 20.00 x 10.00 (762 x 508 x 254)	14	16	CP3020	CP3020G	28.20 x 18.20 (716 x 462)	28.50 x 18.50 (724 x 470)	2	Qturn.	5.00 (127)
CSD302410	CSD302410LG	30.00 x 24.00 x 10.00 (762 x 610 x 254)	14	16	CP3024	CP3024G	28.20 x 22.20 (716 x 564)	28.50 x 22.50 (724 x 572)	2	Qturn.	5.00 (127)
CSD303010	CSD303010LG	30.00 x 30.00 x 10.00 (762 x 762 x 254)	14	14	CP3030	CP3030G	28.20 x 28.20 (716 x 716)	28.50 x 28.50 (724 x 724)	2	Qturn.	5.00 (127)
CSD362410	CSD362410LG	36.00 x 24.00 x 10.00 (914 x 610 x 254)	14	16	CP3624	CP3624G	34.20 x 22.20 (869 x 564)	34.50 x 22.50 (876 x 572)	2	Qturn.	5.00 (127)
CSD363010	CSD363010LG	36.00 x 30.00 x 10.00 (914 x 762 x 254)	14	14	CP3630	CP3630G	34.20 x 28.20 (869 x 716)	34.50 x 28.50 (876 x 724)	2	Qturn.	5.00 (127)
CSD363610	CSD363610LG	36.00 x 36.00 x 10.00 (914 x 914 x 254)	14	14	CP3636	CP3636G	34.20 x 34.20 (869 x 869)	34.50 x 34.50 (876 x 876)	2	Qturn.	5.00 (127)
CSD423610	CSD423610LG	42.00 x 36.00 x 10.00 (1067 x 762 x 254)	14	14	CP4236	CP4236G	40.20 x 34.20 (1021 x 869)	40.50 x 34.50 (1029 x 876)	1	3-point	21.00 (533)
CSD482410	CSD482410LG	48.00 x 24.00 x 10.00 (1219 x 610 x 254)	14	14	CP4824	CP4824G	46.20 x 22.20 (1173 x 564)	46.50 x 22.50 (1181 x 572)	1	3-point	24.00 (610)
CSD483610	CSD483610LG	48.00 x 36.00 x 10.00 (1219 x 762 x 254)	14	14	CP4836	CP4836G	46.20 x 34.20 (1173 x 869)	46.50 x 34.50 (1181 x 876)	1	3-point	24.00 (610)
CSD603610	CSD603610LG	60.00 x 36.00 x 10.00 (1524 x 914 x 254)	14	14	CP6036	CP6036G	58.20 x 34.20 (1478 x 869)	58.50 x 34.50 (1486 x 876)	1	3-point	30.00 (762)
CSD202012	CSD202012LG	20.00 x 20.00 x 12.00 (508 x 508 x 305)	16	16	CP2020	CP2020G	18.20 x 18.20 (462 x 462)	18.50 x 18.50 (470 x 470)	1	Qturn.	10.00 (254)
CSD242012	CSD242012LG	24.00 x 20.00 x 12.00 (610 x 508 x 305)	16	16	CP2420	CP2420G	22.20 x 18.20 (564 x 462)	22.50 x 18.50 (572 x 470)	1	Qturn.	12.00 (305)
CSD242412	CSD242412LG	24.00 x 24.00 x 12.00 (610 x 610 x 305)	14	16	CP2424	CP2424G	22.20 x 22.20 (564 x 564)	22.50 x 22.50 (572 x 572)	2	Qturn.	5.00 (127)
CSD302412	CSD302412LG	30.00 x 24.00 x 12.00 (762 x 610 x 305)	14	16	CP3024	CP3024G	28.20 x 22.20 (716 x 564)	28.50 x 22.50 (724 x 572)	2	Qturn.	5.00 (127)
CSD303012	CSD303012LG	30.00 x 30.00 x 12.00 (762 x 762 x 305)	14	14	CP3030	CP3030G	28.20 x 28.20 (716 x 716)	28.50 x 28.50 (724 x 724)	2	Qturn.	5.00 (127)
CSD362412	CSD362412LG	36.00 x 24.00 x 12.00 (914 x 610 x 305)	14	16	CP3624	CP3624G	34.20 x 22.20 (869 x 564)	34.50 x 22.50 (876 x 572)	2	Qturn.	5.00 (127)
CSD363012	CSD363012LG	36.00 x 30.00 x 12.00 (914 x 762 x 305)	14	14	CP3630	CP3630G	34.20 x 28.20 (869 x 716)	34.50 x 28.50 (876 x 724)	2	Qturn.	5.00 (127)
CSD363612	CSD363612LG	36.00 x 36.00 x 12.00 (914 x 914 x 305)	14	14	CP3636	CP3636G	34.20 x 34.20 (869 x 869)	34.50 x 34.50 (876 x 876)	2	Qturn.	5.00 (127)
CSD423612	CSD423612LG	42.00 x 36.00 x 12.00 (1067 x 914 x 305)	14	14	CP4236	CP4236G	40.20 x 34.20 (1021 x 869)	40.50 x 34.50 (1029 x 876)	1	3-point	21.00 (533)
CSD482412	CSD482412LG	48.00 x 24.00 x 12.00 (1219 x 610 x 305)	14	14	CP4824	CP4824G	46.20 x 22.20 (1173 x 564)	46.50 x 22.50 (1181 x 572)	1	3-point	24.00 (610)
CSD483612	CSD483612LG	48.00 x 36.00 x 12.00 (1219 x 914 x 305)	14	14	CP4836	CP4836G	46.20 x 34.20 (1173 x 869)	46.50 x 34.50 (1181 x 876)	1	3-point	24.00 (610)
CSD603612	CSD603612LG	60.00 x 36.00 x 12.00 (1524 x 914 x 305)	14	14	CP6036	CP6036G	58.20 x 34.20 (1478 x 869)	58.50 x 34.50 (1486 x 876)	1	3-point	30.00 (762)
CSD242416	CSD242416LG	24.00 x 24.00 x 16.00 (610 x 610 x 406)	14	14	CP2424	CP2424G	22.20 x 22.20 (564 x 564)	22.50 x 22.50 (572 x 572)	2	Qturn.	5.00 (127)
CSD363016	CSD363016LG	36.00 x 30.00 x 16.00 (914 x 762 x 406)	14	14	CP3630	CP3630G	34.20 x 28.20 (869 x 716)	34.50 x 28.50 (876 x 724)	2	Qturn.	5.00 (127)
CSD483616	CSD483616LG	48.00 x 36.00 x 16.00 (1219 x 914 x 406)	14	14	CP4836	CP4836G	46.20 x 34.20 (1173 x 869)	46.50 x 34.50 (1181 x 876)	1	3-point	24.00 (610)
CSD242420	CSD242420LG	24.00 x 24.00 x 20.00 (610 x 610 x 508)	14	14	CP2424	CP2424G	22.20 x 22.20 (564 x 564)	22.50 x 22.50 (572 x 572)	2	Qturn.	5.00 (127)
CSD302420	CSD302420LG	30.00 x 24.00 x 20.00 (762 x 610 x 508)	14	14	CP3024	CP3024G	28.20 x 22.20 (716 x 564)	28.50 x 22.50 (724 x 572)	2	Qturn.	5.00 (127)
CSD363020	CSD363020LG	36.00 x 30.00 x 20.00 (914 x 762 x 508)	14	14	CP3630	CP3630G	34.20 x 28.20 (869 x 716)	34.50 x 28.50 (876 x 724)	2	Qturn.	5.00 (127)

Purchase panels separately. Optional conductive CONCEPT panels available for most sizes. Optional NEMA-size panels require conversion kit Catalog Number CCPM4.  
NOTE: Panels have a formed flange along any side that is longer than 22.20 in. (564mm).

# CONCEPT<sup>®</sup> Wall-Mounted Enclosures



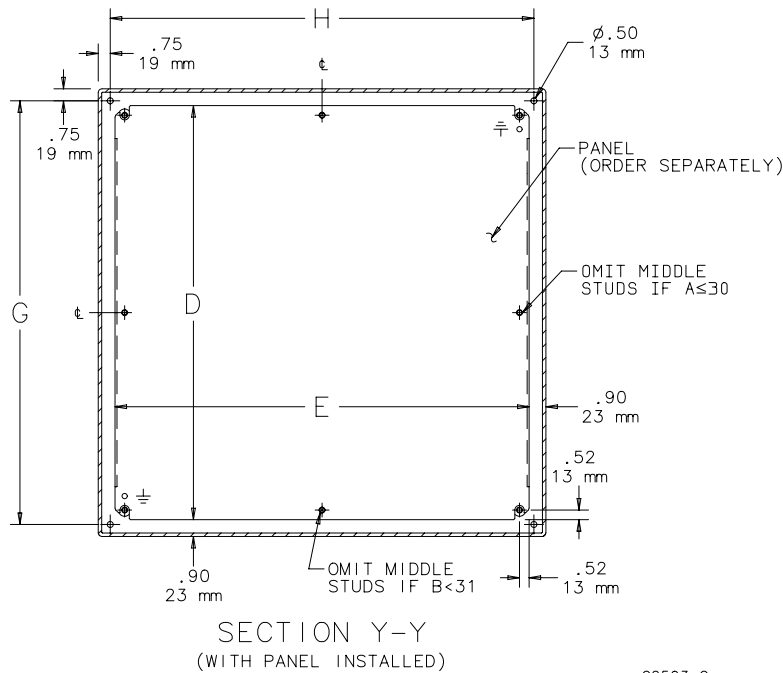
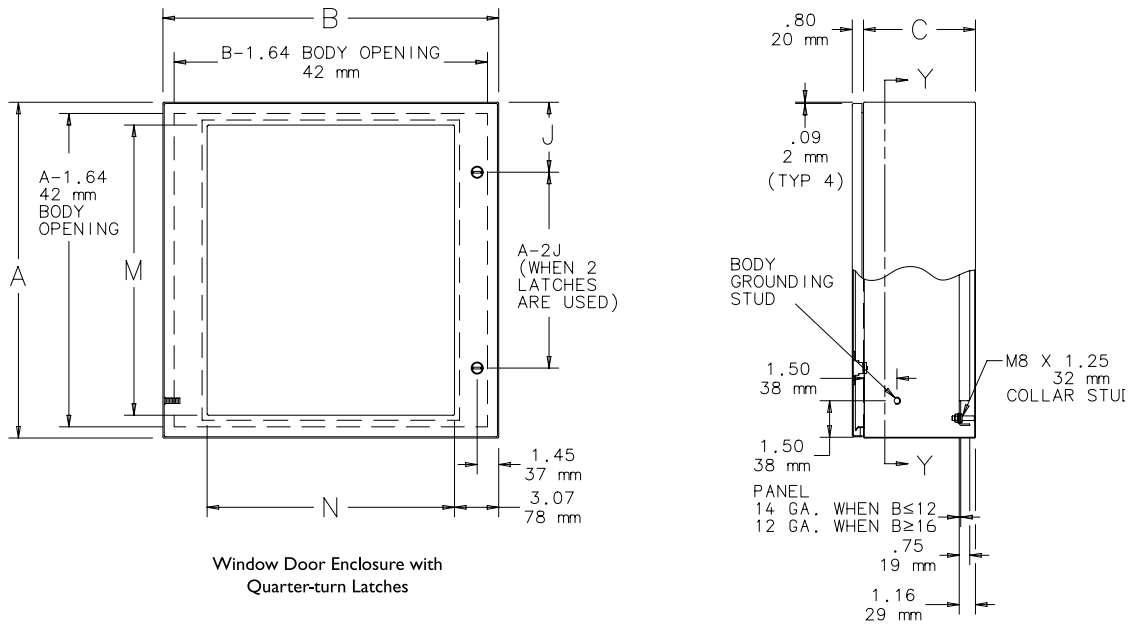
**Industrial Enclosures**

**Standard Sizes CONCEPT Single-Door Wall-Mounted Enclosures with Windows**

Catalog Number ANSI 61 Gray	Catalog Number RAL 7035 Lt. Gray	A x B x C in. (mm)	Door Gauge	Body Gauge	CONCEPT Panel Catalog Number	Conductive CONCEPT Panel Catalog Number	Panel Size D x E in. (mm)	Mounting G x H in. (mm)	Window Size in. (mm)	Latches (qty)	Latches (style)	J in. (mm)
CSD12126W	CSD12126WLG	12.00 x 12.00 x 6.00 (305 x 305 x 152)	14	16	CP1212	CP1212G	10.20 x 10.20 (259 x 259)	10.50 x 10.50 (267 x 267)	8.74 x 7.10 (222 x 180)	1	Qturn.	6.00 (152)
CSD16126W	CSD16126WLG	16.00 x 12.00 x 6.00 (406 x 305 x 152)	14	16	CP1612	CP1612G	14.20 x 10.20 (361 x 259)	14.50 x 10.50 (368 x 267)	12.74 x 7.10 (324 x 180)	1	Qturn.	8.00 (203)
CSD20166W	CSD20166WLG	20.00 x 16.00 x 6.00 (508 x 406 x 152)	14	16	CP2016	CP2016G	18.20 x 14.20 (462 x 361)	18.50 x 14.50 (470 x 368)	16.74 x 11.10 (425 x 282)	1	Qturn.	10.00 (254)
CSD20206W	CSD20206WLG	20.00 x 20.00 x 6.00 (508 x 508 x 152)	14	16	CP2020	CP2020G	18.20 x 18.20 (462 x 462)	18.50 x 18.50 (470 x 470)	16.74 x 15.10 (425 x 384)	1	Qturn.	10.00 (254)
CSD24206W	CSD24206WLG	24.00 x 20.00 x 6.00 (610 x 508 x 152)	16	16	CP2420	CP2420G	22.20 x 18.20 (564 x 462)	22.50 x 18.50 (572 x 470)	20.74 x 15.10 (527 x 384)	1	Qturn.	12.00 (305)
CSD24246W	CSD24246WLG	24.00 x 24.00 x 6.00 (610 x 610 x 152)	14	16	CP2424	CP2424G	22.20 x 22.20 (564 x 564)	22.50 x 22.50 (572 x 572)	20.74 x 17.68 (527 x 449)	2	Qturn.	5.00 (127)
CSD16128W	CSD16128WLG	16.00 x 12.00 x 8.00 (406 x 305 x 203)	16	16	CP1612	CP1612G	14.20 x 10.20 (361 x 259)	14.50 x 10.50 (368 x 267)	12.74 x 7.10 (324 x 180)	1	Qturn.	8.00 (203)
CSD20168W	CSD20168WLG	20.00 x 16.00 x 8.00 (508 x 406 x 203)	16	16	CP2016	CP2016G	18.20 x 14.20 (462 x 361)	18.50 x 14.50 (470 x 368)	16.74 x 11.10 (425 x 282)	1	Qturn.	10.00 (254)
CSD20208W	CSD20208WLG	20.00 x 20.00 x 8.00 (508 x 508 x 203)	16	16	CP2020	CP2020G	18.20 x 18.20 (462 x 462)	18.50 x 18.50 (470 x 470)	16.74 x 15.10 (425 x 384)	1	Qturn.	10.00 (254)
CSD24208W	CSD24208WLG	24.00 x 20.00 x 8.00 (610 x 508 x 203)	16	16	CP2420	CP2420G	22.20 x 18.20 (564 x 462)	22.50 x 18.50 (572 x 470)	20.74 x 15.10 (527 x 384)	1	Qturn.	12.00 (305)
CSD24248W	CSD24248WLG	24.00 x 24.00 x 8.00 (610 x 610 x 203)	14	16	CP2424	CP2424G	22.20 x 22.20 (564 x 564)	22.50 x 22.50 (572 x 572)	20.74 x 17.68 (527 x 449)	2	Qturn.	5.00 (127)
CSD30248W	CSD30248WLG	30.00 x 24.00 x 8.00 (762 x 610 x 203)	14	14	CP3024	CP3024G	28.20 x 22.20 (716 x 564)	28.50 x 22.50 (724 x 572)	26.74 x 17.68 (679 x 449)	2	Qturn.	5.00 (127)
CSD161210W	CSD161210WLG	16.00 x 12.00 x 10.00 (406 x 305 x 254)	16	16	CP1612	CP1612G	14.20 x 10.20 (361 x 259)	14.50 x 10.50 (368 x 267)	12.74 x 7.10 (324 x 180)	1	Qturn.	8.00 (203)
CSD201610W	CSD201610WLG	20.00 x 16.00 x 10.00 (508 x 406 x 254)	16	16	CP2016	CP2016G	18.20 x 14.20 (462 x 361)	18.50 x 14.50 (470 x 368)	16.74 x 11.10 (425 x 282)	1	Qturn.	10.00 (254)
CSD202010W	CSD202010WLG	20.00 x 20.00 x 10.00 (508 x 508 x 254)	16	16	CP2020	CP2020G	18.20 x 18.20 (462 x 462)	18.50 x 18.50 (470 x 470)	16.74 x 15.10 (425 x 384)	1	Qturn.	10.00 (254)
CSD242010W	CSD242010WLG	24.00 x 20.00 x 10.00 (610 x 508 x 254)	16	16	CP2420	CP2420G	22.20 x 18.20 (564 x 462)	22.50 x 18.50 (572 x 470)	20.74 x 15.10 (527 x 384)	1	Qturn.	12.00 (305)
CSD242410W	CSD242410WLG	24.00 x 24.00 x 10.00 (610 x 610 x 254)	14	16	CP2424	CP2424G	22.20 x 22.20 (564 x 564)	22.50 x 22.50 (572 x 572)	20.74 x 17.68 (527 x 449)	2	Qturn.	5.00 (127)
CSD302410W	CSD302410WLG	30.00 x 24.00 x 10.00 (762 x 610 x 254)	14	16	CP3024	CP3024G	28.20 x 22.20 (716 x 564)	28.50 x 22.50 (724 x 572)	26.74 x 17.68 (679 x 449)	2	Qturn.	5.00 (127)
CSD202012W	CSD202012WLG	20.00 x 20.00 x 12.00 (508 x 508 x 305)	16	16	CP2020	CP2020G	18.20 x 18.20 (462 x 462)	18.50 x 18.50 (470 x 470)	16.74 x 15.10 (425 x 384)	1	Qturn.	10.00 (254)
CSD242012W	CSD242012WLG	24.00 x 20.00 x 12.00 (610 x 508 x 305)	16	16	CP2420	CP2420G	22.20 x 18.20 (564 x 462)	22.50 x 18.50 (572 x 470)	20.74 x 15.10 (527 x 384)	1	Qturn.	12.00 (305)
CSD242412W	CSD242412WLG	24.00 x 24.00 x 12.00 (610 x 610 x 305)	14	16	CP2424	CP2424G	22.20 x 22.20 (564 x 564)	22.50 x 22.50 (572 x 572)	20.74 x 17.68 (527 x 449)	2	Qturn.	5.00 (127)
CSD302412W	CSD302412WLG	30.00 x 24.00 x 12.00 (762 x 610 x 305)	14	16	CP3024	CP3024G	28.20 x 22.20 (716 x 564)	28.50 x 22.50 (724 x 572)	26.74 x 17.68 (679 x 449)	2	Qturn.	5.00 (127)
CSD242416W	CSD242416WLG	24.00 x 24.00 x 16.00 (610 x 610 x 406)	14	14	CP2424	CP2424G	22.20 x 22.20 (564 x 564)	22.50 x 22.50 (572 x 572)	20.74 x 17.68 (527 x 449)	2	Qturn.	5.00 (127)
CSD242420W	CSD242420WLG	24.00 x 24.00 x 20.00 (610 x 610 x 508)	14	14	CP2424	CP2424G	22.20 x 22.20 (564 x 564)	22.50 x 22.50 (572 x 572)	20.74 x 17.68 (527 x 449)	2	Qturn.	5.00 (127)
CSD302420W	CSD302420WLG	30.00 x 24.00 x 20.00 (762 x 610 x 508)	14	14	CP3024	CP3024G	28.20 x 22.20 (716 x 564)	28.50 x 22.50 (724 x 572)	26.74 x 17.68 (679 x 449)	2	Qturn.	5.00 (127)

Purchase panels separately. Optional conductive CONCEPT panels available for most sizes. Optional NEMA-size panels require conversion kit Catalog Number CCPM4.  
NOTE: Panels have a formed flange along any side that is longer than 22.20 in. (564mm).

## CONCEPT Single-Door Wall-Mounted Enclosures with Windows



C2503-C

**Industrial Enclosures**

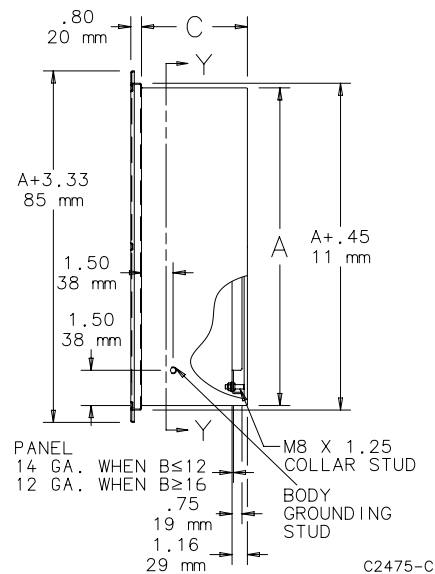
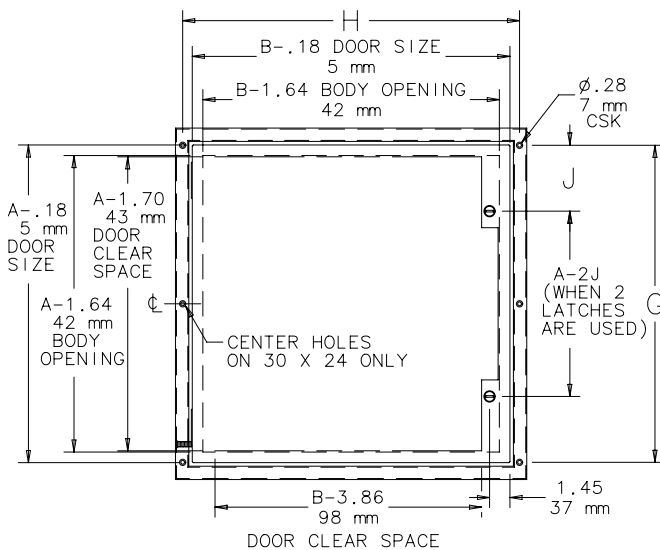
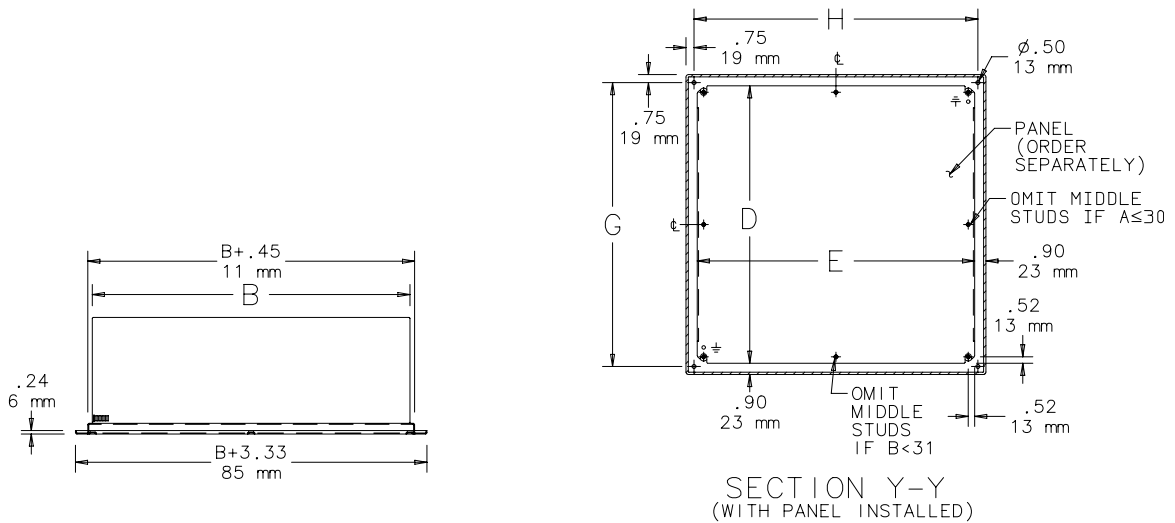


## Standard Sizes CONCEPT Flush-Mounted Enclosures

Catalog Number ANSI 61 Gray	Catalog Number RAL 7035 Lt. Gray	A x B x C in. (mm)	Door Gauge	Body Gauge	CONCEPT Panel Catalog Number	Conductive CONCEPT Panel Catalog Number	Panel Size D x E in. (mm)	Mounting G x H in. (mm)	Latches (qty)	Latches (style)	J in. (mm)
CFM12126	CFM12126LG	12.00 x 12.00 x 6.00 (305 x 305 x 152)	16	16	CP1212	CP1212G	10.20 x 10.20 (259 x 259)	12.75 x 14.25 (324 x 362)	1	Qturn	6.00 (152)
CFM16126	CFM16126LG	16.00 x 12.00 x 6.00 (406 x 305 x 152)	16	16	CP1612	CP1612G	14.20 x 10.20 (361 x 259)	16.75 x 14.25 (425 x 362)	1	Qturn	8.00 (203)
CFM20166	CFM20166LG	20.00 x 16.00 x 6.00 (508 x 406 x 152)	16	16	CP2016	CP2016G	18.20 x 14.20 (462 x 361)	20.75 x 18.25 (527 x 463)	1	Qturn	10.00 (254)
CFM20206	CFM20206LG	20.00 x 20.00 x 6.00 (508 x 508 x 152)	16	16	CP2020	CP2020G	18.20 x 18.20 (462 x 462)	20.75 x 22.25 (527 x 565)	1	Qturn	10.00 (254)
CFM24208	CFM24208LG	24.00 x 20.00 x 8.00 (610 x 508 x 203)	16	16	CP2420	CP2420G	22.20 x 18.20 (564 x 462)	24.75 x 22.25 (629 x 565)	1	Qturn	12.00 (305)
CFM24248	CFM24248LG	24.00 x 24.00 x 8.00 (610 x 610 x 203)	14	16	CP2424	CP2424G	22.20 x 22.20 (564 x 564)	24.75 x 26.25 (629 x 667)	2	Qturn	5.00 (127)
CFM30248	CFM30248G	30.00 x 24.00 x 8.00 (762 x 610 x 203)	14	16	CP3024	CP3024G	28.20 x 22.20 (716 x 564)	30.75 x 26.25 (781 x 667)	2	Qturn	5.00 (127)

Purchase panels separately. Optional conductive CONCEPT panels available for most sizes. Optional NEMA-size panels require conversion kit Catalog Number CCPM4.

NOTE: Panels have a formed flange along any side that is longer than 22.20 in. (564mm).



# CONCEPT® Wall-Mounted Enclosures

## Standard Sizes CONCEPT Two-Door Wall-Mounted Enclosures

Catalog Number ANSI 61 Gray	Catalog Number RAL 7035 Lt. Gray	A x B x C in. (mm)	Door Gauge	Body Gauge	CONCEPT Panel Catalog Number	Conductive CONCEPT Panel Catalog Number	Panel Size D x E in. (mm)	Mounting G x H in. (mm)	Latches (qty)	Latches (style)	J in. (mm)
CTD24428	CTD24428LG	24.00 x 42.00 x 8.00 (610 x 1067 x 203)	14	14	CP2442	CP2442G	22.20 x 40.20 (259 x 564)	22.50 x 40.50 (572 x 1029)	1	3-point	12.00 (305)
CTD30488	CTD30488LG	30.00 x 48.00 x 8.00 (762 x 1219 x 203)	14	14	CP3048	CP3048G	28.20 x 46.20 (259 x 716)	28.50 x 46.50 (724 x 1181)	1	3-point	15.00 (381)
CTD306012	CTD306012LG	30.00 x 60.00 x 12.00 (762 x 1524 x 305)	14	14	CP3060	CP3060G	28.20 x 58.20 (361 x 716)	28.50 x 58.50 (724 x 1486)	1	3-point	15.00 (381)
CTD364812	CTD364812LG	36.00 x 48.00 x 12.00 (914 x 1219 x 305)	14	14	CP4836	CP4836G	34.20 x 46.20 (462 x 869)	34.50 x 46.50 (876 x 1181)	1	3-point	18.00 (457)
CTD366012	CTD366012LG	36.00 x 60.00 x 12.00 (914 x 1524 x 305)	14	14	CP6036	CP6036G	34.20 x 58.20 (462 x 869)	34.50 x 58.50 (876 x 1486)	1	3-point	18.00 (457)

Purchase panels separately. Optional conductive CONCEPT panels available for most sizes. Optional NEMA-size panels require conversion kit Catalog Number CCPM4.  
NOTE: Panels have a formed flange along any side that is longer than 22.20 in. (564mm).

