

CONCEPT® Wall-Mount Enclosures

CONCEPT®, Type 4 and 12



Industry Standards

Wall-mounting brackets required to maintain UL/CSA external mounting requirement.

CONCEPT solid single-door, door with window and flush-mount models

UL 508A Listed; Type 4, 12; File No. E61997
cUL Listed per CSA C22.2 No. 94; Type 4, 12; File No. E61997

NEMA/EEMAC Type 4, 12, 13
CSA, File No. 42186; Type 4, 12
VDE IP66
IEC 60529, IP66

CONCEPT two-door models

UL 508A Listed; Type 12; File No. E61997
cUL Listed per CSA C22.2 No. 94; Type 12; File No. E61997

NEMA/EEMAC Type 12
CSA, File No. 42186, Type 12
VDE IP 55
IEC 60529, IP55

Application

CONCEPT® Enclosures are ideal for machine control applications. With streamlined styling, flush quarter-turn latches and an attractive, durable finish. Available in solid or window single-door and two-door landscape, flush-mount and sloped-top versions for application and mounting flexibility. Two-door landscape models provide full-width access and easy panel installation.

Specifications

- 14, 16 or 18 gauge steel (see table)
- Seams continuously welded and ground smooth
- Corner-formed doors
- Simple easy-to-remove and install hinge pins with built-in captivation clip

- High-torque threadless studs and fasteners on door
- Minimum-width body flange provides maximum door opening (210 degrees)
- External formed body flange
- Panel mounting studs fit optional CONCEPT panels and other accessories
- Mounting holes in back of body for optional external wall-mount brackets
- Hidden hinges
- Doors are interchangeable and easily removed by pulling clip-style hinge pins
- Seamless foam-in-place gasket
- Quarter-turn slotted latch(es)
- Door alignment device on doors wider than 30 in.
- Four hinges on 60-in.-high enclosures
- Grounding stud on body; bonding provision on door (except window-door models)
- Provisions for thermoplastic data pocket (right-hand hinged door on two-door models)
- Hardware kit with panel mounting nuts, panel grounding hardware and sealing washers
- Single-door enclosures have a three-point latch system on enclosures where A is equal to or greater than 42-in. with quarter-turn, slotted latch
- Window-door enclosures have a clear polycarbonate window flush with door surface
- Mounting frame on flush-mount enclosures extends completely around enclosure
- Two-door enclosures have an overlapping door design which provides full-width access
- Two door enclosures have a three-point latch system on right-hand hinged door furnished with flush slotted insert
- Illustrated instruction sheet

Finish

Two standard finishes are available: ANSI 61 gray or RAL 7035 textured light-gray polyester powder paint inside and out.

Accessories

Door Stop Kit
Handles
Lock Inserts
CONCEPT® Panels
Mounting-Bracket Kits

Modification and Customization

Hoffman excels at modifying and customizing products to your specifications. Contact your local Hoffman sales office or distributor for complete information.

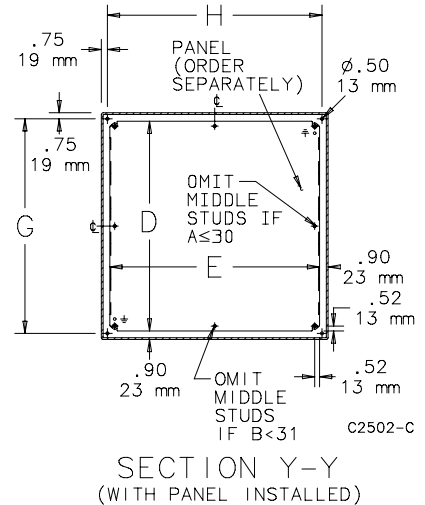
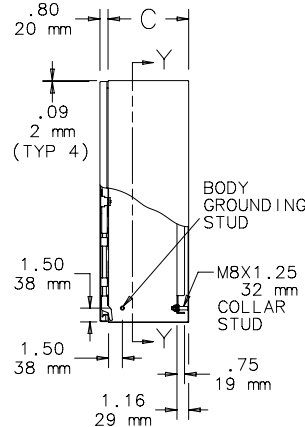
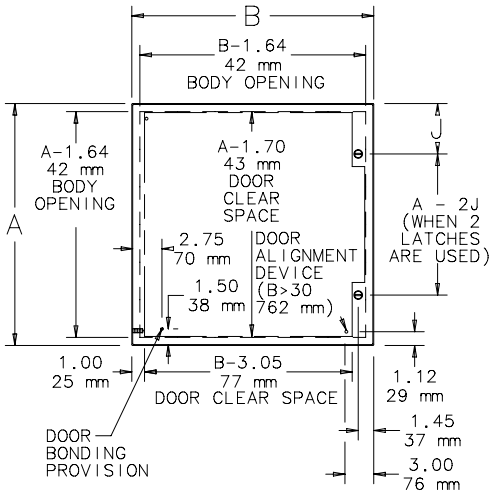
Bulletin: CW1

CONCEPT® Wall-Mount Enclosures

Catalog Number	AxBxC in./mm	Finish	Door Ga.	Body Ga.	CONCEPT Panel	Conductive CONCEPT Panel	Panel Size D x E in./mm	Mounting G x H in./mm	Latches qty.	Latches style	J in./mm
CSD603612LG	60.00 x 36.00 x 12.00 1524 x 914 x 305	RAL 7035 Lt. Gray	14	14	CP6036	CP6036G	58.20 x 34.20 1478 x 869	58.50 x 34.50 1486 x 876	1	3-point	30.00 762
CSD242416	24.00 x 24.00 x 16.00 610 x 610 x 406	ANSI 61 Gray	14	14	CP2424	CP2424G	22.20 x 22.20 564 x 564	22.50 x 22.50 572 x 572	2	Quarter-turn	5.00 127
CSD242416LG	24.00 x 24.00 x 16.00 610 x 610 x 406	RAL 7035 Lt. Gray	14	14	CP2424	CP2424G	22.20 x 22.20 564 x 564	22.50 x 22.50 572 x 572	2	Quarter-turn	5.00 127
CSD363016	36.00 x 30.00 x 16.00 914 x 762 x 406	ANSI 61 Gray	14	14	CP3630	CP3630G	34.20 x 28.20 869 x 716	34.50 x 28.50 876 x 724	2	Quarter-turn	5.00 127
CSD363016LG	36.00 x 30.00 x 16.00 914 x 762 x 406	RAL 7035 Lt. Gray	14	14	CP3630	CP3630G	34.20 x 28.20 869 x 716	34.50 x 28.50 876 x 724	2	Quarter-turn	5.00 127
CSD483616	48.00 x 36.00 x 16.00 1219 x 914 x 406	ANSI 61 Gray	14	14	CP4836	CP4836G	46.20 x 34.20 1173 x 869	46.50 x 34.50 1181 x 876	1	3-point	24.00 610
CSD483616LG	48.00 x 36.00 x 16.00 1219 x 914 x 406	RAL 7035 Lt. Gray	14	14	CP4836	CP4836G	46.20 x 34.20 1173 x 869	46.50 x 34.50 1181 x 876	1	3-point	24.00 610
CSD242420	24.00 x 24.00 x 20.00 610 x 610 x 508	ANSI 61 Gray	14	14	CP2424	CP2424G	22.20 x 22.20 564 x 564	22.50 x 22.50 572 x 572	2	Quarter-turn	5.00 127
CSD242420LG	24.00 x 24.00 x 20.00 610 x 610 x 508	RAL 7035 Lt. Gray	14	14	CP2424	CP2424G	22.20 x 22.20 564 x 564	22.50 x 22.50 572 x 572	2	Quarter-turn	5.00 127
CSD302420	30.00 x 24.00 x 20.00 762 x 610 x 508	ANSI 61 Gray	14	14	CP3024	CP3024G	28.20 x 22.20 716 x 564	28.50 x 22.50 724 x 572	2	Quarter-turn	5.00 127
CSD302420LG	30.00 x 24.00 x 20.00 762 x 610 x 508	RAL 7035 Lt. Gray	14	14	CP3024	CP3024G	28.20 x 22.20 716 x 564	28.50 x 22.50 724 x 572	2	Quarter-turn	5.00 127
CSD363020	36.00 x 30.00 x 20.00 914 x 762 x 508	ANSI 61 Gray	14	14	CP3630	CP3630G	34.20 x 28.20 869 x 716	34.50 x 28.50 876 x 724	2	Quarter-turn	5.00 127
CSD363020LG	36.00 x 30.00 x 20.00 914 x 762 x 508	RAL 7035 Lt. Gray	14	14	CP3630	CP3630G	34.20 x 28.20 869 x 716	34.50 x 28.50 876 x 724	2	Quarter-turn	5.00 127

Purchase panels separately.

Optional NEMA-size panels require conversion kit Catalog Number CCPM4.



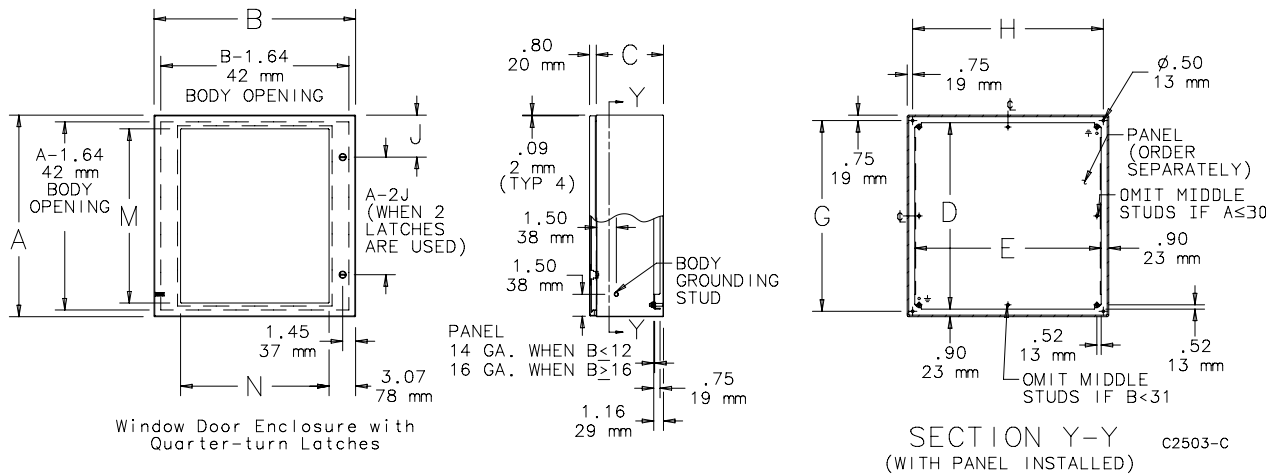
CONCEPT® Wall-Mount Enclosures

Catalog Number	AxBxC in./mm	Finish	Door Ga.	Body Ga.	CONCEPT Panel	CONCEPT Conductive Panel	Panel Size D x E in./mm	Mounting G x H in./mm	Window Size M x N in./mm	Latches qty.	Latches style	J in./mm
CSD202012WLG	20.00 x 20.00 x 12.00 508 x 508 x 305	RAL 7035 Lt. Gray	14	16	CP2020	CP2020G	18.20 x 18.20 462 x 462	18.50 x 18.50 470 x 470	16.74 x 15.10 425 x 384	1	Quarter-turn	10.00 254
CSD242012W	24.00 x 20.00 x 12.00 610 x 508 x 305	ANSI 61 Gray	14	16	CP2420	CP2420G	22.20 x 18.20 564 x 462	22.50 x 18.50 572 x 470	20.74 x 15.10 527 x 384	1	Quarter-turn	12.00 305
CSD242012WLG	24.00 x 20.00 x 12.00 610 x 508 x 305	RAL 7035 Lt. Gray	14	16	CP2420	CP2420G	22.20 x 18.20 564 x 462	22.50 x 18.50 572 x 470	20.74 x 15.10 527 x 384	1	Quarter-turn	12.00 305
CSD242412W	24.00 x 24.00 x 12.00 610 x 610 x 305	ANSI 61 Gray	14	16	CP2424	CP2424G	22.20 x 22.20 564 x 564	22.50 x 22.50 572 x 572	20.74 x 17.68 527 x 449	2	Quarter-turn	5.00 127
CSD242412WLG	24.00 x 24.00 x 12.00 610 x 610 x 305	RAL 7035 Lt. Gray	14	16	CP2424	CP2424G	22.20 x 22.20 564 x 564	22.50 x 22.50 572 x 572	20.74 x 17.68 527 x 449	2	Quarter-turn	5.00 127
CSD302412W	30.00 x 24.00 x 12.00 762 x 610 x 305	ANSI 61 Gray	14	16	CP3024	CP3024G	28.20 x 22.20 716 x 564	28.50 x 22.50 724 x 572	26.74 x 17.68 679 x 449	2	Quarter-turn	5.00 127
CSD302412WLG	30.00 x 24.00 x 12.00 762 x 610 x 305	RAL 7035 Lt. Gray	14	16	CP3024	CP3024G	28.20 x 22.20 716 x 564	28.50 x 22.50 724 x 572	26.74 x 17.68 679 x 449	2	Quarter-turn	5.00 127
CSD242416W	24.00 x 24.00 x 16.00 610 x 610 x 406	ANSI 61 Gray	14	14	CP2424	CP2424G	22.20 x 22.20 564 x 564	22.50 x 22.50 572 x 572	20.74 x 17.68 527 x 449	2	Quarter-turn	5.00 127
CSD242416WLG	24.00 x 24.00 x 16.00 610 x 610 x 406	RAL 7035 Lt. Gray	14	14	CP2424	CP2424G	22.20 x 22.20 564 x 564	22.50 x 22.50 572 x 572	20.74 x 17.68 527 x 449	2	Quarter-turn	5.00 127
CSD242420W	24.00 x 24.00 x 20.00 610 x 610 x 508	ANSI 61 Gray	14	14	CP2424	CP2424G	22.20 x 22.20 564 x 564	22.50 x 22.50 572 x 572	20.74 x 17.68 527 x 449	2	Quarter-turn	5.00 127
CSD242420WLG	24.00 x 24.00 x 20.00 610 x 610 x 508	RAL 7035 Lt. Gray	14	14	CP2424	CP2424G	22.20 x 22.20 564 x 564	22.50 x 22.50 572 x 572	20.74 x 17.68 527 x 449	2	Quarter-turn	5.00 127
CSD302420W	30.00 x 24.00 x 20.00 762 x 610 x 508	ANSI 61 Gray	14	14	CP3024	CP3024G	28.20 x 22.20 716 x 564	28.50 x 22.50 724 x 572	26.74 x 17.68 679 x 449	2	Quarter-turn	5.00 127
CSD302420WLG	30.00 x 24.00 x 20.00 762 x 610 x 508	RAL 7035 Lt. Gray	14	14	CP3024	CP3024G	28.20 x 22.20 716 x 564	28.50 x 22.50 724 x 572	26.74 x 17.68 679 x 449	2	Quarter-turn	5.00 127

Purchase panels separately.

Optional NEMA-size panels require conversion kit Catalog Number CCPM4.

CONCEPT Single-Door Wall-Mounted Enclosures with Windows



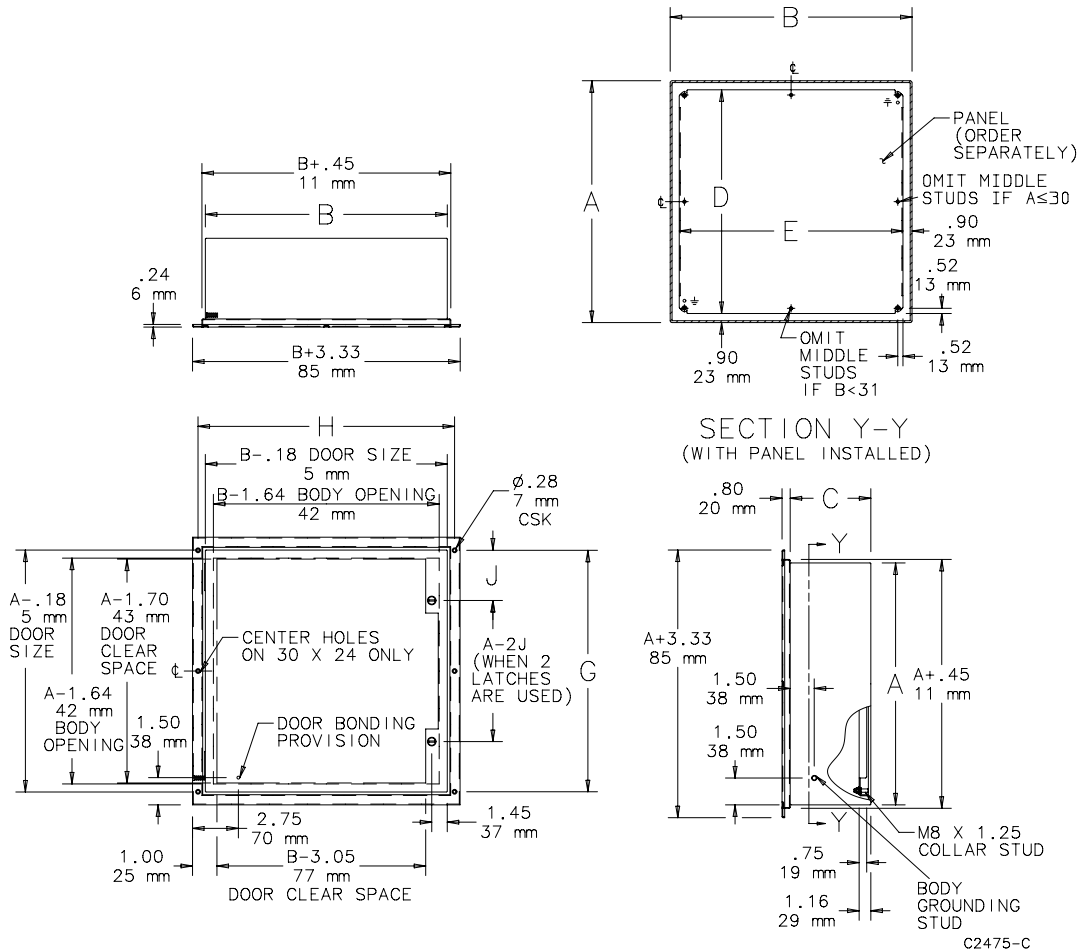
CONCEPT® Wall-Mount Enclosures

Standard Product Flush-Mounted Enclosures

Catalog Number	AxBxC		Finish	Door Ga.	Body Ga.	CONCEPT Panel	Conductive CONCEPT Panel	Panel Size		Mounting		Latches qty.	Latches style	J in./mm
	in./mm							D x E	G x H					
CFM12126	12.00 x 12.00 x 6.00		ANSI 61 Gray	16	16	CP1212	CP1212G	10.20 x 10.20	12.75 x 14.25	1	Quarter-turn	6.00		
	305 x 305 x 152							259 x 259	324 x 362				152	
CFM12126LG	12.00 x 12.00 x 6.00		RAL 7035 Lt. Gray	16	16	CP1212	CP1212G	10.20 x 10.20	12.75 x 14.25	1	Quarter-turn	6.00		
	305 x 305 x 152							259 x 259	324 x 362				152	
CFM16126	16.00 x 12.00 x 6.00		ANSI 61 Gray	16	16	CP1612	CP1612G	14.20 x 10.20	16.75 x 14.25	1	Quarter-turn	8.00		
	406 x 305 x 152							361 x 259	425 x 362				203	
CFM16126LG	16.00 x 12.00 x 6.00		RAL 7035 Lt. Gray	16	16	CP1612	CP1612G	14.20 x 10.20	16.75 x 14.25	1	Quarter-turn	8.00		
	406 x 305 x 152							361 x 259	425 x 362				203	
CFM20166	20.00 x 16.00 x 6.00		ANSI 61 Gray	16	16	CP2016	CP2016G	18.20 x 14.20	20.75 x 18.25	1	Quarter-turn	10.00		
	508 x 406 x 152							462 x 361	527 x 463				254	
CFM20166LG	20.00 x 16.00 x 6.00		RAL 7035 Lt. Gray	16	16	CP2016	CP2016G	18.20 x 14.20	20.75 x 18.25	1	Quarter-turn	10.00		
	508 x 406 x 152							462 x 361	527 x 463				254	
CFM20206	20.00 x 20.00 x 6.00		ANSI 61 Gray	16	16	CP2020	CP2020G	18.20 x 18.20	20.75 x 22.25	1	Quarter-turn	10.00		
	508 x 508 x 152							462 x 462	527 x 565				254	
CFM20206LG	20.00 x 20.00 x 6.00		RAL 7035 Lt. Gray	16	16	CP2020	CP2020G	18.20 x 18.20	20.75 x 22.25	1	Quarter-turn	10.00		
	508 x 508 x 152							462 x 462	527 x 565				254	
CFM24208	24.00 x 20.00 x 8.00		ANSI 61 Gray	16	16	CP2420	CP2420G	22.20 x 18.20	24.75 x 22.25	1	Quarter-turn	12.00		
	610 x 508 x 203							564 x 462	629 x 565				305	
CFM24208LG	24.00 x 20.00 x 8.00		RAL 7035 Lt. Gray	16	16	CP2420	CP2420G	22.20 x 18.20	24.75 x 22.25	1	Quarter-turn	12.00		
	610 x 508 x 203							564 x 462	629 x 565				305	
CFM24248	24.00 x 24.00 x 8.00		ANSI 61 Gray	14	16	CP2424	CP2424G	22.20 x 22.20	24.75 x 26.25	2	Quarter-turn	5.00		
	610 x 610 x 203							564 x 564	629 x 667				127	
CFM24248LG	24.00 x 24.00 x 8.00		RAL 7035 Lt. Gray	14	16	CP2424	CP2424G	22.20 x 22.20	24.75 x 26.25	2	Quarter-turn	5.00		
	610 x 610 x 203							564 x 564	629 x 667				127	
CFM30248	30.00 x 24.00 x 8.00		ANSI 61 Gray	14	16	CP3024	CP3024G	28.20 x 22.20	30.75 x 26.25	2	Quarter-turn	5.00		
	762 x 610 x 203							716 x 564	781 x 667				127	
CFM30248LG	30.00 x 24.00 x 8.00		RAL 7035 Lt. Gray	14	16	CP3024	CP3024G	28.20 x 22.20	30.75 x 26.25	2	Quarter-turn	5.00		
	762 x 610 x 203							716 x 564	781 x 667				127	

Purchase panels separately.

Optional NEMA-size panels require conversion kit Catalog Number CCPM4.



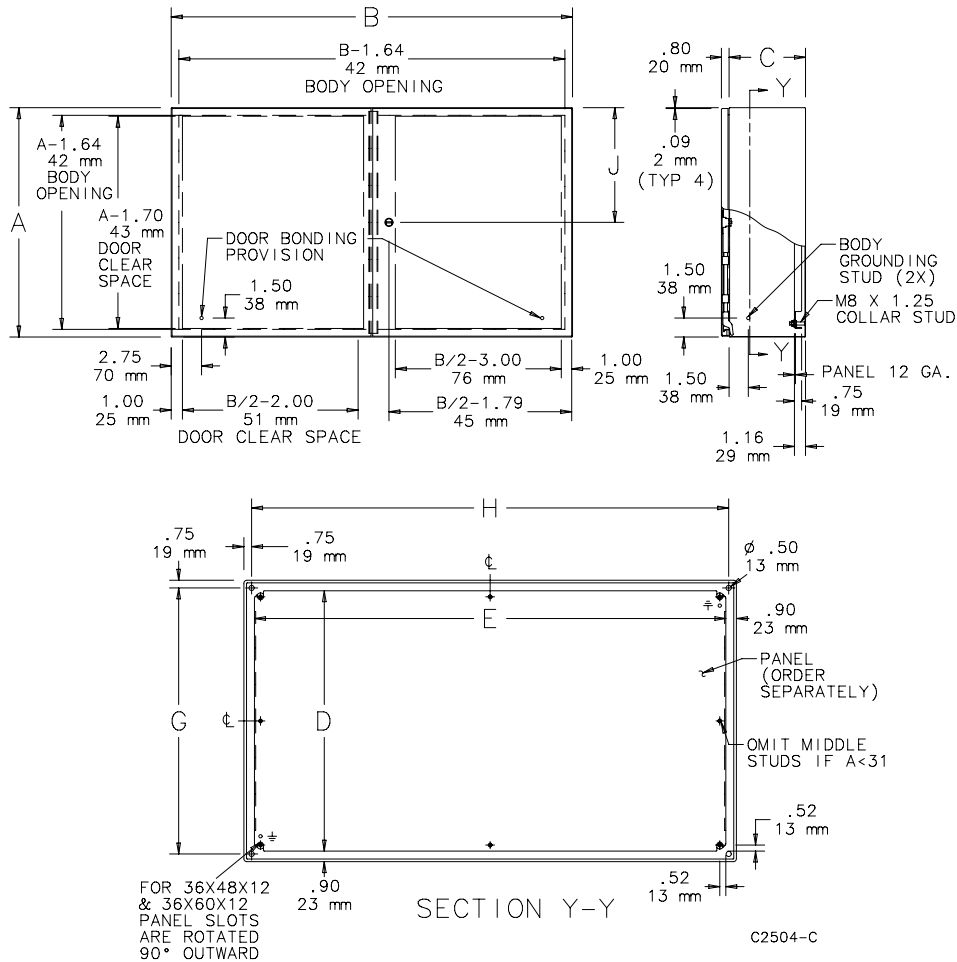
CONCEPT® Wall-Mount Enclosures

Standard Product **Two-Door Enclosures**

Catalog Number	AxByC		Finish	Door Ga.	Body Ga.	CONCEPT Panel	Conductive CONCEPT Panel	Panel Size		Mounting		J in./mm
	in./mm	in./mm						D x E in./mm	G x H in./mm	Latches qty.	Latches style	
CTD24428	24.00 x 42.00 x 8.00		ANSI 61 Gray	14	14	CP2442	CP2442G	22.20 x 40.20	22.50 x 40.50	1	3-point	12.00
	610 x 1067 x 203							259 x 564	572 x 1029			305
CTD24428LG	24.00 x 42.00 x 8.00		RAL 7035 Lt. Gray	14	14	CP2442	CP2442G	22.20 x 40.20	22.50 x 40.50	1	3-point	12.00
	610 x 1067 x 203							259 x 564	572 x 1029			305
CTD30488	30.00 x 48.00 x 8.00		ANSI 61 Gray	14	14	CP3048	CP3048G	28.20 x 46.20	28.50 x 46.50	1	3-point	15.00
	762 x 1219 x 203							259 x 716	724 x 1181			381
CTD30488LG	30.00 x 48.00 x 8.00		RAL 7035 Lt. Gray	14	14	CP3048	CP3048G	28.20 x 46.20	28.50 x 46.50	1	3-point	15.00
	762 x 1219 x 203							259 x 716	724 x 1181			381
CTD306012	30.00 x 60.00 x 12.00		ANSI 61 Gray	14	14	CP3060	CP3060G	28.20 x 58.20	28.50 x 58.50	1	3-point	15.00
	762 x 1524 x 305							361 x 716	724 x 1486			381
CTD306012LG	30.00 x 60.00 x 12.00		RAL 7035 Lt. Gray	14	14	CP3060	CP3060G	28.20 x 58.20	28.50 x 58.50	1	3-point	15.00
	762 x 1524 x 305							361 x 716	724 x 1486			381
CTD364812	36.00 x 48.00 x 12.00		ANSI 61 Gray	14	14	CP4836	CP4836G	34.20 x 46.20	34.50 x 46.50	1	3-point	18.00
	914 x 1219 x 305							462 x 869	876 x 1181			457
CTD364812LG	36.00 x 48.00 x 12.00		RAL 7035 Lt. Gray	14	14	CP4836	CP4836G	34.20 x 46.20	34.50 x 46.50	1	3-point	18.00
	914 x 1219 x 305							462 x 869	876 x 1181			457
CTD366012	36.00 x 60.00 x 12.00		ANSI 61 Gray	14	14	CP6036	CP6036G	34.20 x 58.20	34.50 x 58.50	1	3-point	18.00
	914 x 1524 x 305							462 x 869	876 x 1486			457
CTD366012LG	36.00 x 60.00 x 12.00		RAL 7035 Lt. Gray	14	14	CP6036	CP6036G	34.20 x 58.20	34.50 x 58.50	1	3-point	18.00
	914 x 1524 x 305							462 x 869	876 x 1486			457

Purchase panels separately.

Optional NEMA-size panels require conversion kit Catalog Number CCPM4.





CONCEPT® Wall-Mount Enclosures

Notes