

## Hinged-Cover Type 1 Boxes and Enclosures and Accessories

### Hinged-Cover, Type 1



#### Industry Standards

UL 50, 50E Listed; Type 1; File No. E27567  
cUL Listed per CSA C22.2 No 40; Type 1; File No. E27567

NEMA/EEMAC Type 1  
CSA, File 42184: Type 1  
IEC 60529, IP30

#### Application

These boxes feature a recessed, slotted flush latch for security as well as knockouts on all four sides, making them suitable for a wide variety of applications.

#### Features

- Various sizes of easily removable concentric knockouts on all four sides
- Butt hinges
- Mounting holes on back of box
- Provision for grounding

#### Specifications

- 16 or 14 gauge steel

#### Finish

ANSI 61 gray polyester powder paint finish inside and out over pretreated surfaces. Unless otherwise specified, all custom cutout boxes are finished with ANSI 61 gray polyester paint.

#### Accessories

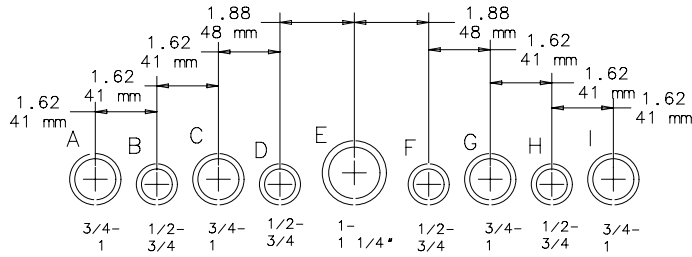
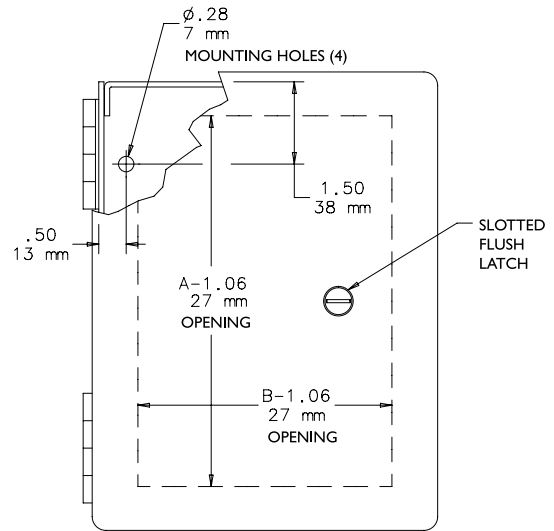
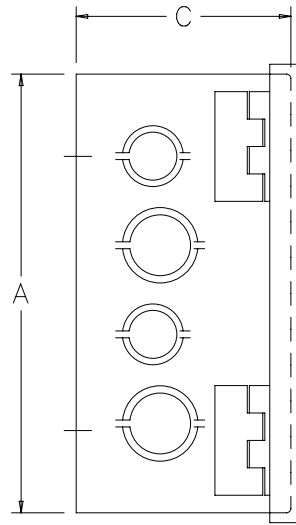
See *Accessories*.  
T-Handle Latch and Keyed Cylinder Lock Kits  
Grounding Device  
Touch-Up Paint

Bulletin: A90HC

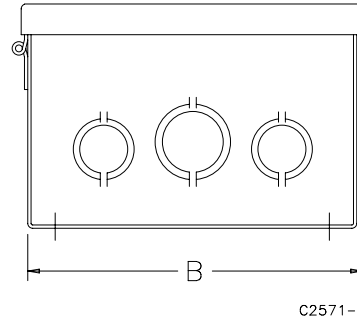
#### Standard Product

Catalog Number	AxBxC in.	AxBxC mm	Knockout Pattern along "A" Sides	Knockout Pattern along "B" Sides
AHE6X4X4	6.00 x 4.00 x 4.00	152 x 102 x 102	B-C-D	B-C
AHE6X6X4	6.00 x 6.00 x 4.00	152 x 152 x 102	B-C-D	B-C-D
AHE8X6X4	8.00 x 6.00 x 4.00	203 x 152 x 102	F-G-H-I	B-C-D
AHE8X8X4	8.00 x 8.00 x 4.00	203 x 203 x 102	F-G-H-I	F-G-H-I
AHE10X8X4	10.00 x 8.00 x 4.00	254 x 203 x 102	F-G-H-I	F-G-H-I
AHE10X10X4	10.00 x 10.00 x 4.00	254 x 254 x 102	F-G-H-I	C-D-E-F-G
AHE12X8X4	12.00 x 8.00 x 4.00	305 x 203 x 102	C-D-E-F-G	F-G-H-I
AHE12X10X4	12.00 x 10.00 x 4.00	305 x 254 x 102	C-D-E-F-G	C-D-E-F-G
AHE12X12X4	12.00 x 12.00 x 4.00	305 x 305 x 102	C-D-E-F-G	C-D-E-F-G
AHE16X12X4	16.00 x 12.00 x 4.00	406 x 305 x 102	B-C-D-E-F-G-H	C-D-E-F-G
AHE18X12X4	18.00 x 12.00 x 4.00	457 x 305 x 102	A-B-C-D-E-F-G-H-I	C-D-E-F-G
AHE6X6X6	6.00 x 6.00 x 6.00	152 x 152 x 152	B-C-D	B-C-D
AHE8X8X6	8.00 x 8.00 x 6.00	203 x 203 x 152	F-G-H-I	F-G-H-I
AHE10X8X6	10.00 x 8.00 x 6.00	254 x 203 x 152	F-G-H-I	F-G-H-I
AHE10X10X6	10.00 x 10.00 x 6.00	254 x 254 x 152	F-G-H-I	C-D-E-F-G
AHE12X10X6	12.00 x 10.00 x 6.00	305 x 254 x 152	C-D-E-F-G	C-D-E-F-G
AHE12X12X6	12.00 x 12.00 x 6.00	305 x 305 x 152	C-D-E-F-G	C-D-E-F-G
AHE16X12X6	16.00 x 12.00 x 6.00	406 x 305 x 152	B-C-D-E-F-G-H	C-D-E-F-G
AHE16X16X6	16.00 x 16.00 x 6.00	406 x 406 x 152	B-C-D-E-F-G-H	B-C-D-E-F-G-H
AHE18X12X6	18.00 x 12.00 x 6.00	457 x 305 x 152	A-B-C-D-E-F-G-H-I	C-D-E-F-G
AHE18X18X6	18.00 x 18.00 x 6.00	457 x 457 x 152	A-B-C-D-E-F-G-H-I	A-B-C-D-E-F-G-H-I
AHE24X18X6	24.00 x 18.00 x 6.00	610 x 457 x 152	A-B-C-D-E-F-G-H-I	A-B-C-D-E-F-G-H-I
AHE24X24X6	24.00 x 24.00 x 6.00	610 x 610 x 152	A-B-C-D-E-F-G-H-I	A-B-C-D-E-F-G-H-I
AHE30X24X6	30.00 x 24.00 x 6.00	762 x 610 x 152	A-B-C-D-E-F-G-H-I	A-B-C-D-E-F-G-H-I
AHE36X24X6	36.00 x 24.00 x 6.00	914 x 610 x 152	A-B-C-D-E-F-G-H-I	A-B-C-D-E-F-G-H-I
AHE36X24X8	36.00 x 24.00 x 8.00	914 x 610 x 203	A-B-C-D-E-F-G-H-I	A-B-C-D-E-F-G-H-I

## Hinged-Cover Type 1 Boxes and Enclosures and Accessories



CONDUIT SIZES  
Knockout Pattern  
(from outside of box)



NOTE: Refer to table for applicable knockout pattern.