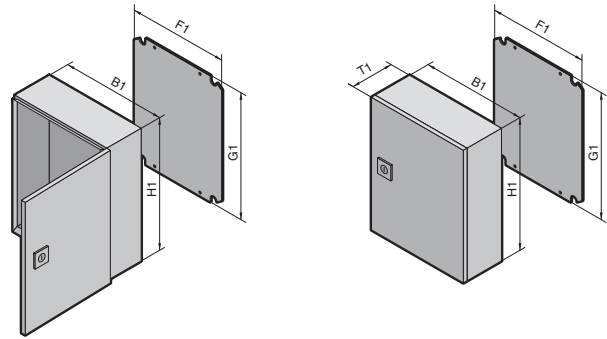


# Compact enclosures AE

Width: 200 – 600, height: 300 – 400

1 2 B

Compact enclosures AE



**Material:**  
Sheet steel

**Surface finish:**  
Enclosure and door:  
Dipcoat-primed,  
powder-coated on the outside in  
textured RAL 7035  
Mounting plate: Zinc-plated

**Protection category:**  
IP 66 to EN 60 529/10.91,  
Complies with NEMA 12  
(AE 1032.500, AE 1035.500),  
Complies with NEMA 4  
(AE 1030.500, AE 1031.500,  
AE 1380.500, AE 1039.500,  
AE 1339.500).

**Supply includes:**  
Enclosure of all-round solid con-  
struction, single door,  
1 gland plate in the enclosure  
base,  
r/h door hinge, may be swapped  
to opposite side (except with  
AE 1032.500 and AE 1035.600),  
with one cam lock,  
foamed-in door seal, mounting  
plate.

**Approvals,**  
see page 26.  
**Detailed drawing,**  
see page 1083.

Width (B1) in mm	Packs of	200	200	300	300	380	380	380	600	600
<b>Height (H1) in mm</b>		300	300	300	400	300	300	380	380	380
<b>Depth (T1) in mm</b>		120	155	210	210	155	210	210	210	350
Mounting plate width (F1) in mm		162	162	254	254	334	334	334	549	549
Mounting plate height (G1) in mm		275	275	275	375	275	275	355	355	355
Mounting plate thickness in mm		2.0	2.0	2.0	2.0	2.0	2.0	2.0	2.5	2.5
<b>Model No. AE</b>	1	<b>1032.500</b>	<b>1035.500</b>	<b>1033.500</b>	<b>1034.500</b>	<b>1030.500</b>	<b>1031.500</b>	<b>1380.500</b>	<b>1039.500</b>	<b>1339.500</b>
Weight (kg)		4.0	4.5	7.0	8.8	7.4	7.5	9.8	15.4	20.0

**Lock systems**

Standard double-bit lock insert may be exchanged for 27 mm lock inserts, type A, see page 888,  
lock cylinder, plastic handles and T handles, type B, see page 886 – 889.

**To order enclosures in textured RAL 7032 please add extension .600 to the Model No., and for primed enclosures use extension .800.**  
**Delivery times available on request.**



**Cable glands**  
made from polyamide, brass,  
and multi-seal inserts,  
Model No. see page 972/973.



**Dust guard trim**  
for the gap between the door  
and the enclosure,  
Model No. see page 899.