

Drawn Enclosures and Accessories

Flat and Dome Cover, Contoured, Type 4



Industry Standards

UL 508A Listed; Type 4, 6, 12, 13; File No. E61997
cUL Listed per CSA C22.2 No. 94; Type 4, 6, 12, 13; File No. E61997

NEMA Type 4, 6, 12, and 13
CSA, File No. 42186: Type 4, 12, and 13
IEC 60529, IP67

Application

An economical solution for a broad range of electrical and terminal wiring applications that don't require a back panel, this enclosure features aesthetic, rounded corners and is available in flat and dome cover models for mounting flexibility.

Specifications

- Drawn 16 gauge steel (no welded seams or sharp corners)
- Cover screws
- Formed flanged cover
- Oil-resistant gasket
- External wall-mounting brackets
- Bonding provision on flat cover; grounding nut in body

Finish

ANSI 61 gray polyester powder paint inside and out

Accessories

See also Accessories chapter.

Modification and Customization

Hoffman excels at modifying and customizing products to your specifications. Contact your local Hoffman sales office or distributor for complete information.

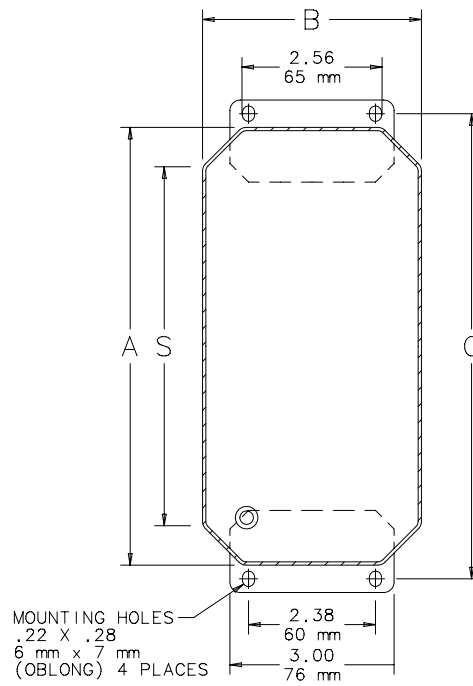
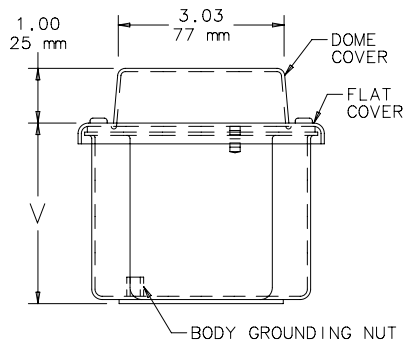
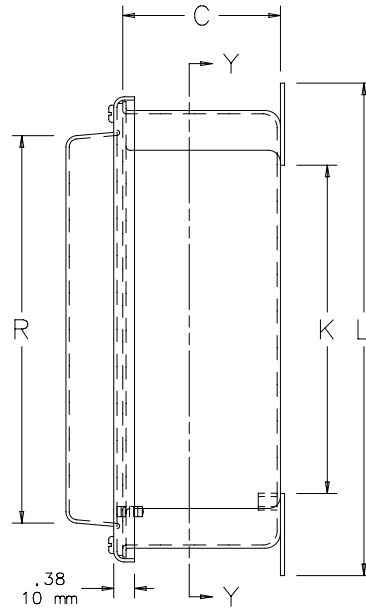
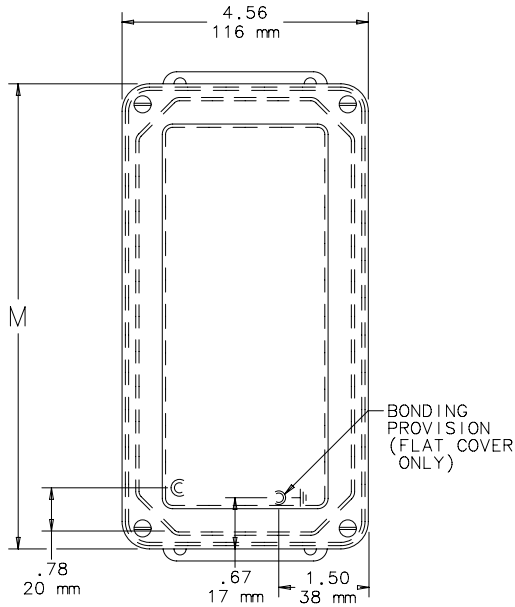
Bulletin: A51DR

Standard Product

Catalog Number	AxBxC in./mm	Interior Volume (cubic in.)	Mounting G		Cover Type	K in./mm	L in./mm	M in./mm	R in./mm	S in./mm	V in./mm
			in./mm	mm							
A443DSC	3.50 x 4.00 x 2.75	32.6	4.00		Flat	1.50	4.50	4.06	n/a	2.06	2.98
	89 x 102 x 70		102	38		114	103	n/a	52	76	
A643DSC	5.75 x 4.00 x 2.75	55.9	6.25		Flat	3.75	6.75	6.31	n/a	4.31	2.98
	146 x 102 x 70		159	95		171	160	n/a	109	76	
A843DSC	8.00 x 4.00 x 2.75	79.4	8.50		Flat	6.00	9.00	8.56	n/a	6.56	2.98
	203 x 102 x 70		216	152		229	217	n/a	167	76	
A1043DSC	10.25 x 4.00 x 2.75	102.8	10.75		Flat	8.25	11.25	10.81	n/a	8.81	2.98
	260 x 102 x 70		273	210		286	275	n/a	224	76	
A445DSC	3.50 x 4.00 x 3.75	44.7	4.00		Dome	1.50	4.50	4.06	2.53	2.06	3.98
	89 x 102 x 95		102	38		114	103	64	52	101	
A645DSC	5.75 x 4.00 x 3.75	76.9	6.25		Dome	3.75	6.75	6.31	4.78	4.31	3.98
	146 x 102 x 95		159	95		171	160	121	109	101	
A845DSC	8.00 x 4.00 x 3.75	109.1	8.50		Dome	6.00	9.00	8.56	7.03	6.56	3.98
	203 x 102 x 95		216	152		229	217	179	167	101	
A1045DSC	10.25 x 4.00 x 3.75	141.2	10.75		Dome	8.25	11.25	10.81	9.25	8.81	3.98
	260 x 102 x 95		273	210		286	275	235	224	101	

Domed-cover enclosure depth = V + 1 in. (25 mm)

Drawn Enclosures and Accessories



SECTION Y-Y

C2473-C