

Clamp-Cover Junction Boxes

Lift-Off-Cover, Type 12



Application

With a chain-secured, lift-off clamp cover, this enclosure meets basic functionality requirements for housing controls and instrumentation.

Specifications

- 16 or 14 gauge steel (see table)
- Seams continuously welded and ground smooth
- External screw clamps
- Lift-off cover
- Bonding provision on cover
- Chain holds cover to box when cover is removed
- Oil-resistant gasket
- Weldnuts provided for mounting optional panels and terminal block kits in size 6.00 x 4.00 in. (152 x 102 mm) and larger
- External wall-mounting brackets

Finish

ANSI 61 gray polyester powder paint inside and out

Accessories

See also *Accessories*.

Clamp Kits

Fast-Operating Clamp-Cover Junction Box Clamp Panels for Junction Boxes

Terminal Block Kit Assembly for Junction Boxes Overview Steel and Stainless Steel Window Kits

Modification and Customization

Hoffman excels at modifying and customizing products to your specifications. Contact your local Hoffman sales office or distributor for complete information.

Bulletin: A51LP

Industry Standards

UL 50, 50E Listed; Type 12, 13; File No. E27525
 cUL Listed per CSA C22.2 No. 94; Type 12, 13; File No. E27525
 UL 508A Listed; Type 12, 13; File No. E61997
 cUL Listed per CSA C22.2 No. 94; Type 12, 13; File No. E61997

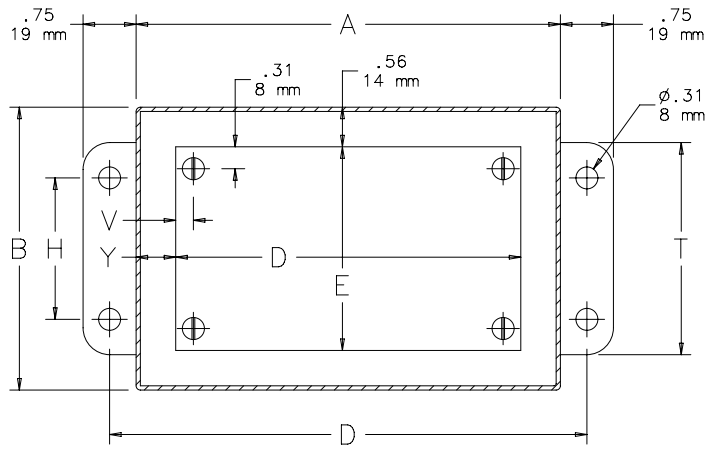
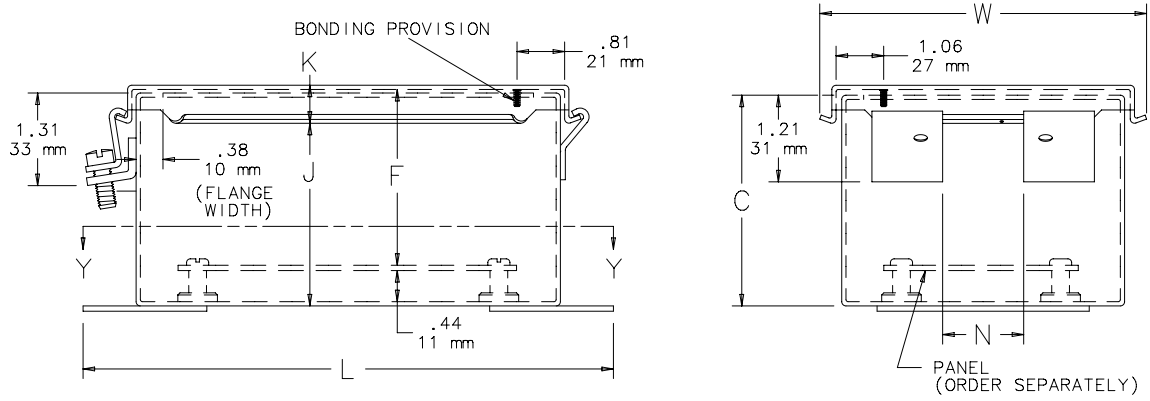
NEMA/EEMAC Type 12 and 13
 CSA, File No. 42184: Type 12
 IEC 60529, IP65

Standard Product

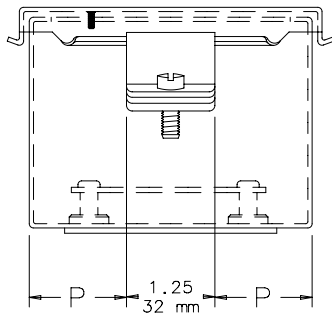
Catalog Number	AxBxC in./mm	Gauge	UL Listed	Panel	Conductive Panel	Panel Size D x E		Mounting G x H		Overall L x W		F in./mm	J in./mm	K in./mm	N in./mm	P in./mm	T in./mm	V in./mm	Y in./mm
						in./mm	in./mm	in./mm	in./mm	in./mm	in./mm								
A404LP	4.00 x 4.00 x 3.00	16	508A	No Panel	No Panel	No Panel	4.75 x 2.00	5.50 x 4.57	—	2.62	0.54	1.31	1.38	3.00	—	—	—	—	—
	102 x 102 x 76					No Panel	121 x 51	140 x 116	—	66	14	33	35	76	—	—			
A604LP	6.00 x 4.00 x 3.00	16	508A	A6P4	A6P4G	4.88 x 2.88	6.75 x 2.00	7.50 x 4.57	2.53	2.62	0.54	1.31	1.38	3.00	0.31	0.56	—	—	—
	152 x 102 x 76					124 x 73	171 x 51	191 x 116	64	66	14	33	35	76	8	14			
A806LP	8.00 x 6.00 x 3.50	14	50, 50E	A8P6	A8P6G	6.75 x 4.88	8.75 x 4.00	9.50 x 6.64	3.03	3.12	0.56	2.88	2.38	5.00	0.25	0.62	—	—	—
	203 x 152 x 89					171 x 124	222 x 102	241 x 169	76	74	14	73	60	127	6	16			
A4044LP	4.00 x 4.00 x 4.00	16	508A	No Panel	No Panel	No Panel	4.75 x 2.00	5.50 x 4.57	—	3.62	0.54	1.31	1.38	3.00	—	—	—	—	—
	102 x 102 x 102					No Panel	121 x 51	140 x 116	—	92	14	33	35	76	—	—			
A6044LP	6.00 x 4.00 x 4.00	16	508A	A6P4	A6P4G	4.88 x 2.88	6.75 x 2.00	7.50 x 4.57	3.53	3.62	0.54	1.31	1.38	3.00	0.31 (8)	0.56	—	—	—
	152 x 102 x 102					124 x 73	171 x 51	191 x 116	90	92	14	33	35	76	8	14			
A606LP	6.00 x 6.00 x 4.00	16	50, 50E	A6P6	A6P6G	4.88 x 4.88	6.75 x 4.00	7.50 x 6.57	3.53	3.62	0.54	2.88	2.38	5.00	0.31 (8)	0.56	—	—	—
	152 x 152 x 102					124 x 124	171 x 102	191 x 167	90	92	14	73	60	127	8	14			
A1008LP	10.00 x 8.00 x 4.00	14	50, 50E	A10P8	A10P8G	8.75 x 6.88	10.75 x 6.00	11.50 x 8.57	3.53	3.62	0.56	4.00	1.00	7.00	0.25 (6)	0.62	—	—	—
	254 x 203 x 102					222 x 175	273 x 152	292 x 218	90	92	14	102	25	178	6	16			
A1210LP	12.00 x 10.00 x 5.00	14	50, 50E	A12P10	A12P10G	10.75 x 8.88	12.75 x 8.00	13.50 x 10.64	4.53	4.62	0.56	6.00	1.00	9.00	0.25 (6)	0.62	—	—	—
	305 x 254 x 127					273 x 226	324 x 203	343 x 270	115	117	14	152	25	229	6	16			
A1412LP	14.00 x 12.00 x 6.00	14	50, 50E	A14P12	A14P12G	12.75 x 10.88	14.75 x 10.00	15.50 x 12.64	5.53	5.62	0.56	8.00	1.00	11.00	0.25 (6)	0.62	—	—	—
	356 x 305 x 152					324 x 276	375 x 254	394 x 321	140	143	14	203	25	279	6	16			
A1614LP	16.00 x 14.00 x 6.00	14	50, 50E	A16P14	A16P14G	14.75 x 12.88	16.75 x 12.00	17.50 x 14.64	5.53	5.62	0.56	10.00	1.00	13.00	0.25 (6)	0.62	—	—	—
	406 x 356 x 152					375 x 327	425 x 305	445 x 372	140	143	14	254	25	330	6	16			

Purchase panels separately. Optional stainless steel, conductive, composite and aluminum panels are available for most sizes.

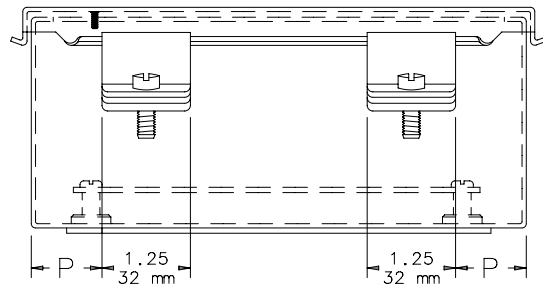
Clamp-Cover Junction Boxes



SECTION Y-Y



$B < 8.00$ (203mm)



$B \geq 8.00$ (203mm)

C2481-C