

## Hinged-Cover Junction Boxes

### Continuous Hinge with Clamps, Type 4



#### Application

A continuous hinge combined with stainless steel clamps on three sides provide environmental protection and security in indoor or outdoor applications.

#### Specifications

- 16 or 14 gauge steel (see table)
- Seams continuously welded and ground smooth
- Stainless steel clamps on three sides of door
- Continuous hinge
- Stainless steel hinge pin
- Oil-resistant gasket
- Weldnuts provided for mounting optional panels and terminal block kits in size 6.00 x 4.00 in. (152 x 102 mm) and larger
- Bonding provision on door
- External wall-mounting brackets

#### Finish

ANSI 61 gray polyester powder paint inside and out

#### Accessories

See also *Accessories*.

Industrial Corrosion Inhibitors

Fast-Operating Clamp-Cover Junction Box Clamp

Lock Kit for Clamp Cover Junction Boxes

Panels for Junction Boxes

Junction Box and Wall-Mount Enclosure Swing Out Panel Kit

Terminal Block Kit Assembly for Junction Boxes Overview

#### Modification and Customization

Hoffman excels at modifying and customizing products to your specifications. Contact your local Hoffman sales office or distributor for complete information.

Bulletin: A51NF

#### Industry Standards

UL 50, 50E Listed; Type 4, 12, 13; File No. E27567  
cUL Listed per CSA C22.2 No. 94; Type 4, 12, 13; File No. E27567  
UL 508A Listed; Type 4, 12, 13; File No. E61997  
cUL Listed per CSA C22.2 No. 94; Type 4, 12, 13; File No. E61997

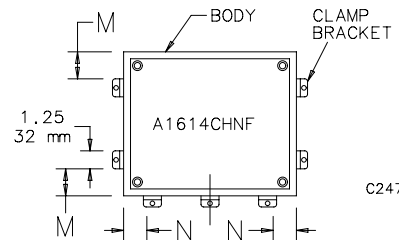
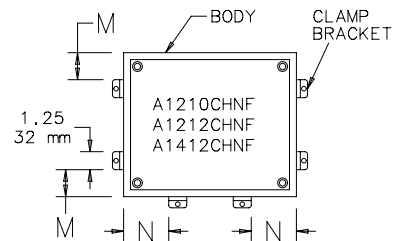
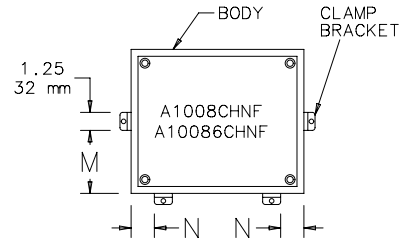
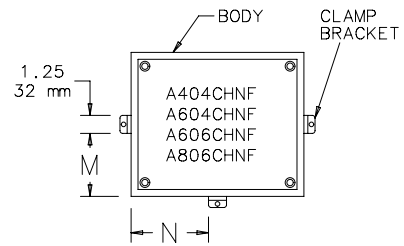
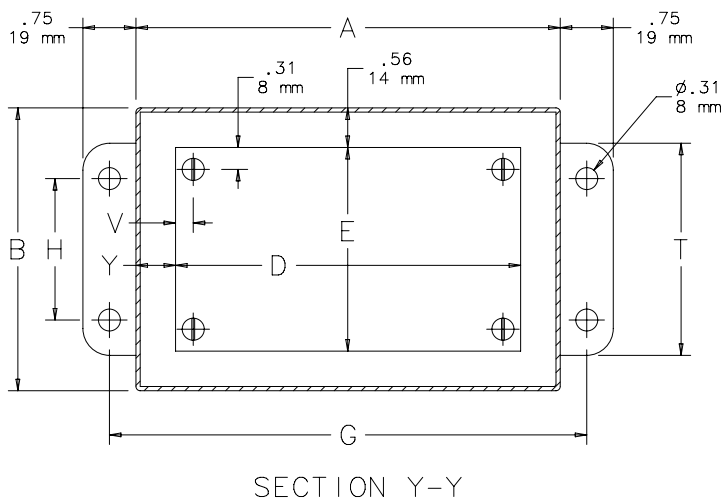
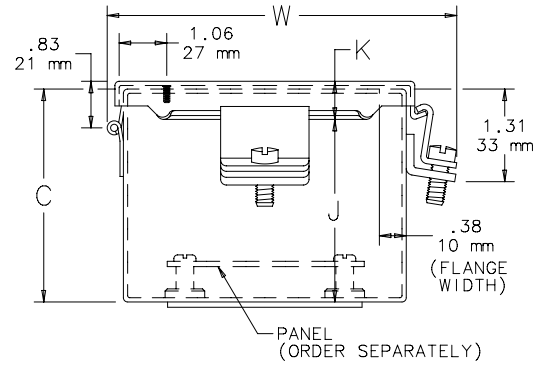
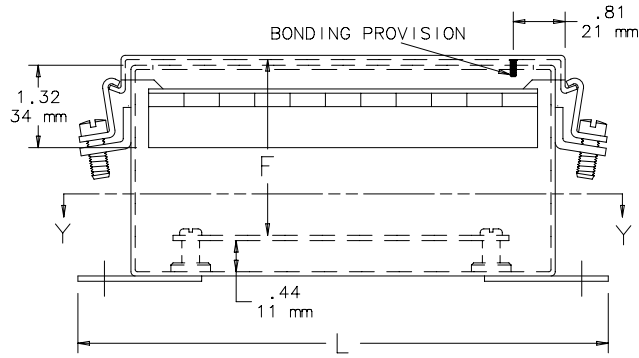
NEMA/EEMAC Type 4, 12, 13  
CSA, File No. 42184: Type 4 and 12  
IEC 60529, IP66

#### Standard Product

Catalog Number	AxBxCin./mm	Gauge	UL Listed	Panel	Conductive Panel	Panel Size	Mounting	Overall	F	J	K	M	N	T	V	Y
						D x E in./mm	G x H in./mm	L x W in./mm								
A404CHNF	4.00 x 4.00 x 3.00	16	508A	No Panel	No Panel	No Panel	4.75 x 2.00	5.50 x 4.94	—	2.62	0.54	1.38	1.38	3.00	—	—
	102 x 102 x 76					No Panel	121 x 51	140 x 125	—	66	14	35	35	76	—	—
A604CHNF	6.00 x 4.00 x 3.00	16	508A	A6P4	A6P4G	4.88 x 2.88	6.75 x 2.00	7.50 x 4.94	2.53	2.62	0.54	1.38	2.38	3.00	0.31	0.56
	152 x 102 x 76					124 x 73	171 x 51	191 x 125	64	66	14	35	60	76	8	14
A806CHNF	8.00 x 6.00 x 3.50	14	50, 50E	A8P6	A8P6G	6.75 x 4.88	8.75 x 4.00	9.50 x 6.94	3.03	3.12	0.56	2.38	3.38	5.00	0.25	0.62
	203 x 152 x 89					171 x 124	222 x 102	241 x 176	77	79	14	60	86	127	6	16
A606CHNF	6.00 x 6.00 x 4.00	16	50, 50E	A6P6	A6P6G	4.88 x 4.88	6.75 x 4.00	7.50 x 6.94	3.53	3.62	0.54	2.38	2.38	5.00	0.31	0.56
	152 x 152 x 102					124 x 124	171 x 102	191 x 176	90	92	14	60	60	127	8	14
A1008CHNF	10.00 x 8.00 x 4.00	14	50, 50E	A10P8	A10P8G	8.75 x 6.88	10.75 x 6.00	11.50 x 8.94	3.53	3.62	0.56	3.38	1.50	7.00	0.25	0.62
	254 x 203 x 102					222 x 175	273 x 152	292 x 227	90	92	14	86	38	178	6	16
A1210CHNF	12.00 x 10.00 x 5.00	14	50, 50E	A12P10	A12P10G	10.75 x 8.88	12.75 x 8.00	13.50 x 10.94	4.53	4.62	0.56	2.00	3.00	9.00	0.25	0.62
	305 x 254 x 127					273 x 225	324 x 203	343 x 278	115	117	14	51	76	229	6	16
A10086CHNF	10.00 x 8.00 x 6.00	14	50, 50E	A10P8	A10P8G	8.75 x 6.88	10.75 x 6.00	11.50 x 8.94	5.53	5.62	0.56	3.38	1.50	7.00	0.25	0.62
	254 x 203 x 152					222 x 175	273 x 152	292 x 227	140	143	14	86	38	178	6	16
A1212CHNF	12.00 x 12.00 x 6.00	14	50, 50E	A12P12	A12P12G	10.75 x 10.88	12.75 x 10.00	13.50 x 12.94	5.53	5.62	0.56	2.50	2.50	11.00	0.25	0.62
	305 x 305 x 152					273 x 276	324 x 254	343 x 329	140	143	14	64	64	279	6	16
A1412CHNF	14.00 x 12.00 x 6.00	14	50, 50E	A14P12	A14P12G	12.75 x 10.88	14.75 x 10.00	15.50 x 12.94	5.53	5.62	0.56	2.00	3.00	11.00	0.25	0.62
	356 x 305 x 152					324 x 276	375 x 254	394 x 329	140	143	14	51	76	279	6	16
A1614CHNF	16.00 x 14.00 x 6.00	14	50, 50E	A16P14	A16P14G	14.75 x 12.88	16.75 x 12.00	17.50 x 14.94	5.53	5.62	0.56	3.50	1.50	13.00	0.25	0.62
	406 x 356 x 152					375 x 327	425 x 305	445 x 379	140	143	14	89	38	330	6	16

Purchase panels separately. Optional stainless steel, conductive, composite and aluminum panels are available for most sizes.

### Hinged-Cover Junction Boxes



C2478-C