

## Screw-Cover Junction Boxes

### Screw Cover, Contoured, Type 4



#### Industry Standards

UL 508A Listed; Type 4, 6, 12, 13; File No. E61997  
cUL Listed per CSA C22.2 No. 94; Type 4, 6, 12, 13; File No. E61997

NEMA Type 4, 6, 12, 13  
CSA, File No. 42186: Type 4, 12, 13  
IEC 60529, IP67

#### Standard Product

| Catalog Number | AxBxC in./mm       | Interior Volume (cubic in.) | Mounting G<br>in./mm | Overall L x W<br>in./mm | D<br>in./mm | E<br>in./mm | J<br>in./mm | K<br>in./mm |
|----------------|--------------------|-----------------------------|----------------------|-------------------------|-------------|-------------|-------------|-------------|
| A402DSC        | 4.00 x 2.00 x 2.00 | 13.9                        | 4.50                 | 5.06 x 2.44             | 5.00        | 4.44        | 2.00        | 2.24        |
|                | 102 x 51 x 51      |                             | 114                  | 129 x 62                | 127         | 113         | 51          | 57          |
| A403DSC        | 4.50 x 2.88 x 2.62 | 30.7                        | 5.00                 | 5.56 x 3.31             | 5.50        | 4.94        | 2.50        | 2.86        |
|                | 114 x 73 x 67      |                             | 127                  | 141 x 84                | 140         | 125         | 64          | 73          |
| A404DSC        | 4.00 x 4.00 x 2.62 | 38.2                        | 5.00                 | 5.50 x 4.44             | 5.06        | 4.44        | 2.50        | 2.86        |
|                | 102 x 102 x 37     |                             | 127                  | 140 x 113               | 129         | 113         | 64          | 73          |

#### Application

With its aesthetic, rounded corners, this enclosure is an economical solution for a broad range of electrical and terminal wiring applications that do not require a back panel.

#### Specifications

- Drawn 16 gauge steel (no welded seams or sharp corners)
- Formed flanged cover
- Cover screws
- Oil-resistant gasket
- External wall-mounting brackets
- Bonding provision on cover; grounding nut in body

#### Finish

ANSI 61 gray polyester powder paint inside and out

#### Accessories

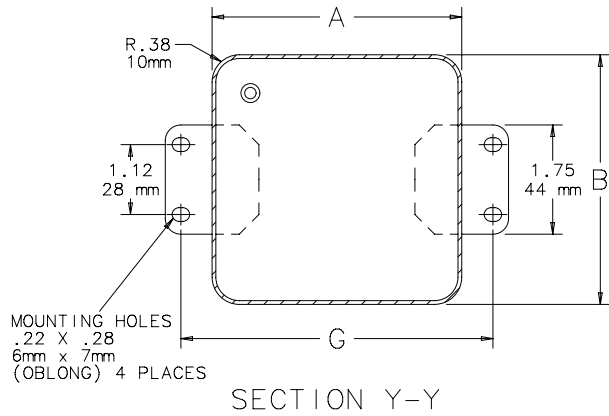
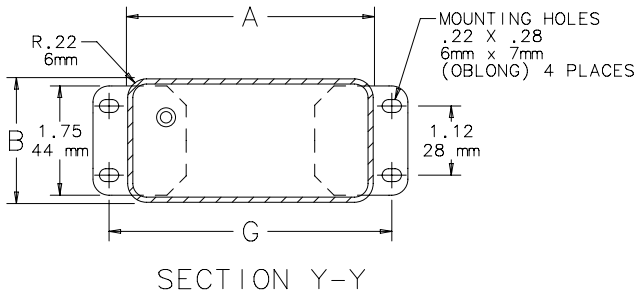
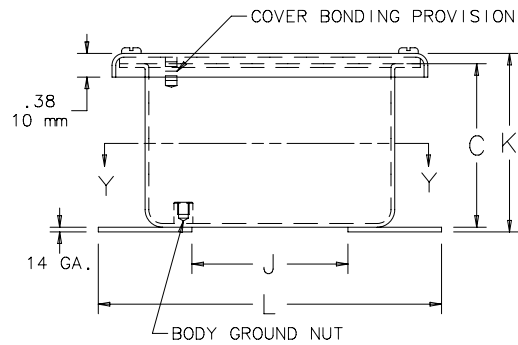
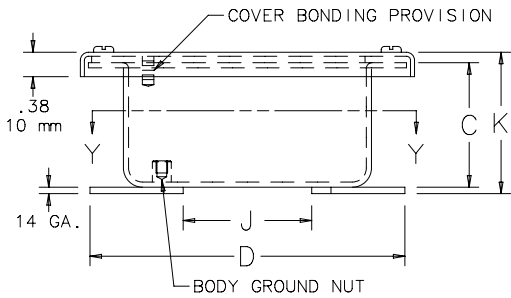
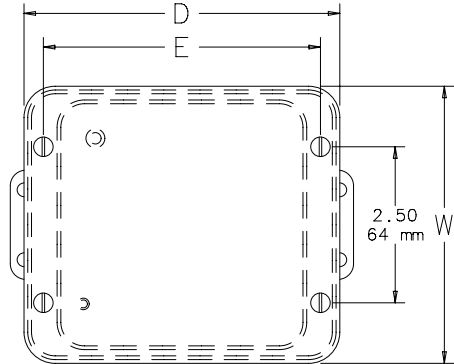
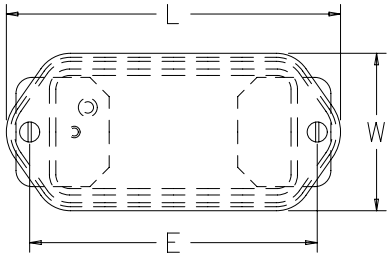
See also *Accessories* chapter.

#### Modification and Customization

Hoffman excels at modifying and customizing products to your specifications. Contact your local Hoffman sales office or distributor for complete information.

Bulletin: A51DR

Screw-Cover Junction Boxes



C2472-C