

Screw-Cover Junction Boxes

Screw Cover, Contoured, Type 4



Industry Standards

UL 508A Listed; Type 4, 6, 12, 13; File No. E61997
cUL Listed per CSA C22.2 No. 94; Type 4, 6, 12, 13; File No. E61997

NEMA Type 4, 6, 12, 13
CSA, File No. 42186: Type 4, 12, 13
IEC 60529, IP67

Standard Product

Catalog Number	AxBxC in./mm	Interior Volume (cubic in.)	Mounting G in./mm	Overall L x W in./mm	D in./mm	E in./mm	J in./mm	K in./mm
A402DSC	4.00 x 2.00 x 2.00	13.9	4.50	5.06 x 2.44	5.00	4.44	2.00	2.24
	102 x 51 x 51		114	129 x 62	127	113	51	57
A403DSC	4.50 x 2.88 x 2.62	30.7	5.00	5.56 x 3.31	5.50	4.94	2.50	2.86
	114 x 73 x 67		127	141 x 84	140	125	64	73
A404DSC	4.00 x 4.00 x 2.62	38.2	5.00	5.50 x 4.44	5.06	4.44	2.50	2.86
	102 x 102 x 37		127	140 x 113	129	113	64	73

Application

With its aesthetic, rounded corners, this enclosure is an economical solution for a broad range of electrical and terminal wiring applications that do not require a back panel.

Specifications

- Drawn 16 gauge steel (no welded seams or sharp corners)
- Formed flanged cover
- Cover screws
- Oil-resistant gasket
- External wall-mounting brackets
- Bonding provision on cover; grounding nut in body

Finish

ANSI 61 gray polyester powder paint inside and out

Accessories

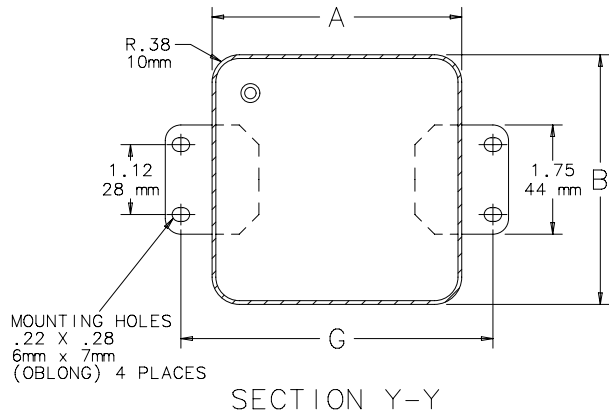
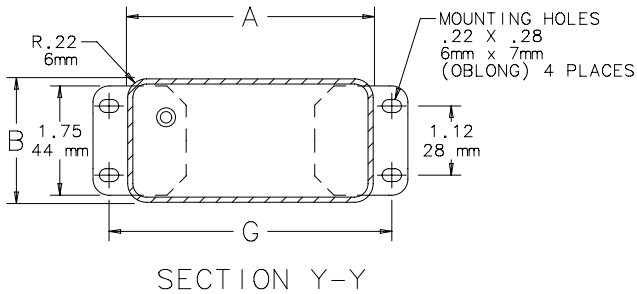
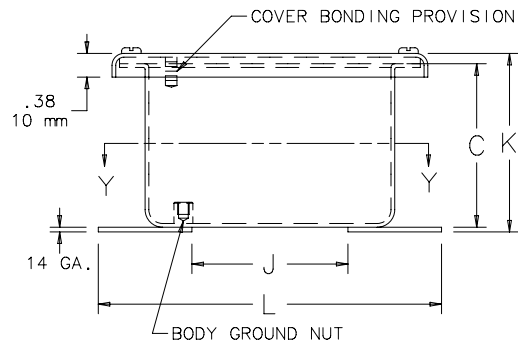
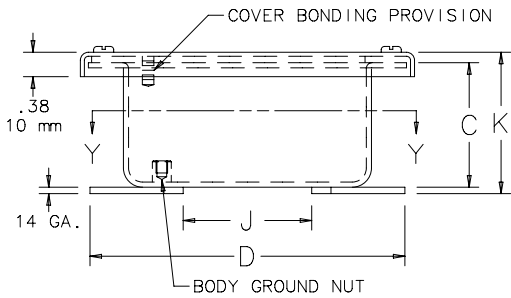
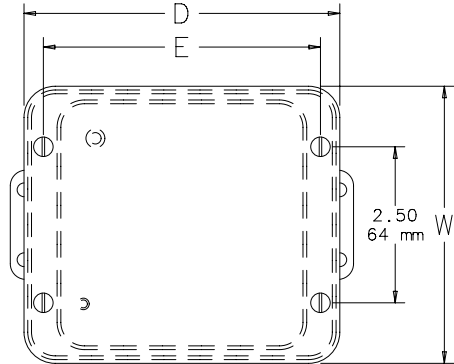
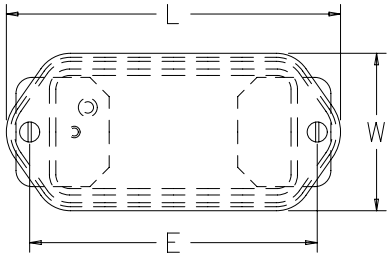
See also *Accessories* chapter.

Modification and Customization

Hoffman excels at modifying and customizing products to your specifications. Contact your local Hoffman sales office or distributor for complete information.

Bulletin: A51DR

Screw-Cover Junction Boxes



C2472-C