

## Clamp Cover

### Continuous Hinge with Clamps, Type 4X



#### Industry Standards

UL 508A Listed; Type 3R, 4, 4X, 12; File No. E61997  
 cUL Listed per CSA C22.2 No 94; Type 3R, 4, 4X, 12; File No. E61997

NEMA/EEMAC Type 3R, 4, 4X, 12, 13  
 CSA File No. 42186: Type 4, 4X, 12  
 IEC 60529, IP66  
 Meets NEMA Type 3RX requirements

#### Application

Lightweight enclosure protects components and controls in corrosive indoor or outdoor environments such as traffic, outside plant, telecommunications and marine environments.

#### Specifications

- Type 5052 H-32 aluminum
- Seams continuously welded and ground smooth
- Rolled lip around three sides of door and all sides of enclosure opening
- Stainless steel door clamp assemblies
- Door is easily removed by pulling stainless steel continuous hinge pin
- Data pocket is high-impact thermoplastic
- Hasp and staple for padlocking
- Panel screws are plated
- Tapped pads provided for mounting optional panels
- Oil-resistant gasket

#### Finish

Enclosures are unpainted. Door fronts have smooth brushed finish.

#### Accessories

See also Accessories.

Fast-Operating Clamp Assembly

Panels for Type 3R, 4, 4X, 12 and 13 Enclosures

Rack Mounting Angle Kit - L Style

Junction Box and Wall-Mount Enclosure Swing-Out Panel Kit

Terminal Block Kit Assembly for Type 4, 12 and 13 Enclosures

Steel and Stainless Steel Window Kits

#### Modification and Customization

Hoffman excels at modifying and customizing products to your specifications. Contact your local Hoffman sales office or distributor for complete information.

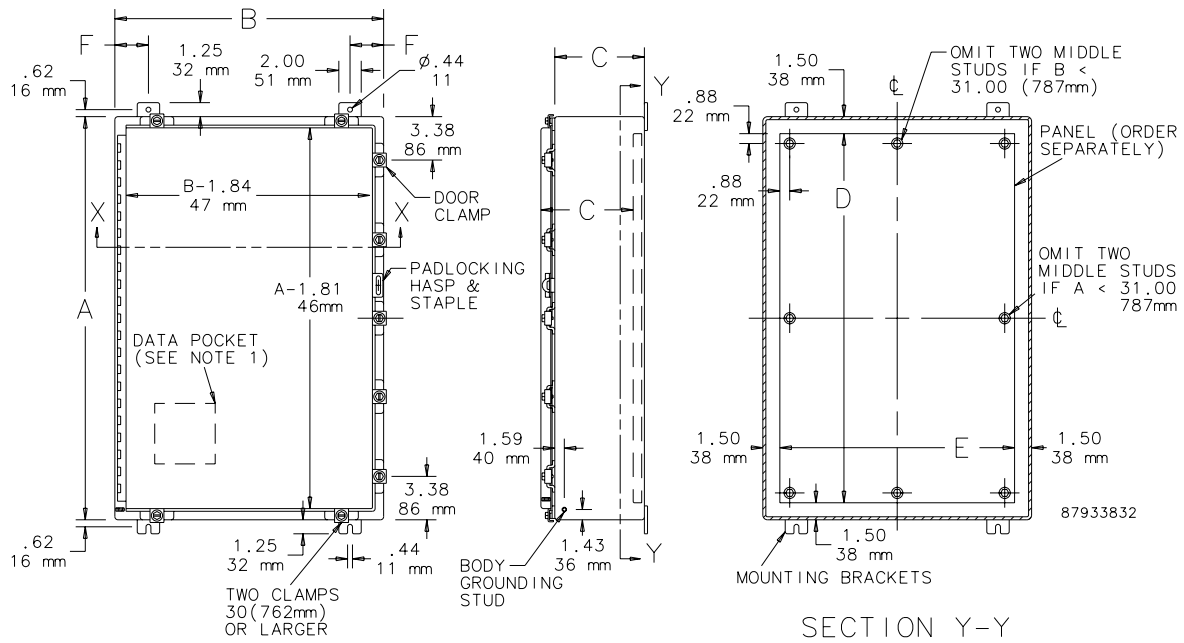
Bulletin: A4A

#### Standard Product

Catalog Number	Ax B x C in./mm	Aluminum Panel	Steel Panel	Conductive Panel	Panel Size		Number of Clamps
					D x E in./mm	F in./mm	
A16H1206ALLP	16.00 x 12.00 x 6.00 406 x 305 x 152	A16P12AL	A16P12	A16P12G	13.00 x 9.00 330 x 229	1.25 32	4
A20H1606ALLP	20.00 x 16.00 x 6.00 508 x 406 x 152	A20P16AL	A20P16	A20P16G	17.00 x 13.00 432 x 330	3.00 76	4
A20H2006ALLP	20.00 x 20.00 x 6.00 508 x 508 x 152	A20P20AL	A20P20	A20P20G	17.00 x 17.00 432 x 432	3.00 76	4
A24H2006ALLP	24.00 x 20.00 x 6.00 610 x 508 x 152	A24P20AL	A24P20	A24P20G	21.00 x 17.00 533 x 432	3.00 76	5
A16H1608ALLP	16.00 x 16.00 x 8.00 406 x 406 x 203	A16P16AL	A16P16	A16P16G	13.00 x 13.00 330 x 330	3.00 76	4
A24H2408ALLP	24.00 x 24.00 x 8.00 610 x 610 x 203	A24P24AL	A24P24	A24P24G	21.00 x 21.00 533 x 533	3.00 76	5
A30H2408ALLP	30.00 x 24.00 x 8.00 762 x 610 x 203	A30P24AL	A30P24	A30P24G	27.00 x 21.00 686 x 533	3.00 76	5
A36H2408ALLP	36.00 x 24.00 x 8.00 914 x 610 x 203	A36P24AL	A36P24	A36P24G	33.00 x 21.00 838 x 533	3.00 76	5
A36H3008ALLP	36.00 x 30.00 x 8.00 914 x 762 x 203	A36P30AL	A36P30	A36P30G	33.00 x 27.00 838 x 686	3.00 76	7
A48H3608ALLP	48.00 x 36.00 x 8.00 1219 x 914 x 203	A48P36AL	A48P36	A48P36G	45.00 x 33.00 1143 x 838	3.00 76	8
A20H1610ALLP	20.00 x 16.00 x 10.00 508 x 406 x 254	A20P16AL	A20P16	A20P16G	17.00 x 13.00 432 x 330	3.00 76	4
A24H2010ALLP	24.00 x 20.00 x 10.00 610 x 508 x 254	A24P20AL	A24P20	A24P20G	21.00 x 17.00 533 x 432	3.00 76	5
A30H2412ALLP	30.00 x 24.00 x 12.00 762 x 610 x 305	A30P24AL	A30P24	A30P24G	27.00 x 21.00 686 x 533	3.00 76	5
A36H3012ALLP	36.00 x 30.00 x 12.00 914 x 762 x 305	A36P30AL	A36P30	A36P30G	33.00 x 27.00 838 x 686	3.00 76	7
A60H3612ALLP	60.00 x 36.00 x 12.00 1524 x 914 x 305	A60P36AL	A60P36	A60P36G	57.00 x 33.00 1448 x 838	3.00 76	9

Purchase panels separately.

**Clamp Cover**



- NOTES: 1. Removable data pocket included.  
 Large data pocket 12.00 x 12.00 (305mm x 305mm) when  $A \geq 30$  (762mm)  
 small data pocket 6.00 x 6.00 (152mm x 152mm) when  $A < 30$  (762mm)  
 2. Maximum spacing between door clamps is 15.00 (382mm).

