

## Hinged-Cover Type 3R Enclosures

### Hinged Cover, Small, Type 3R



#### Industry Standards

UL 50, 50E Listed; Type 3R; File No. E27567  
 cUL Listed per CSA C22.2 No 94; Type 3R File No. E27567

NEMA/EEMAC Type 3R  
 IEC 60529, IP32

#### Application

These enclosures have a size range of 6 x 4 x 4-in. to 12 x 12 x 10-in. and meet basic functionality requirements for applications that require protection from rain, sleet, snow or dripping water.

#### Features

- Drip-shield top and seam-free sides, front and back
- Plated steel hinge has stainless steel pin
- Weldnuts provided for mounting optional panels
- Provisions for padlocking on zinc-plated draw-pull catch
- Knockouts on bottom of enclosure
- No gasketing

#### Specifications

- 16 gauge galvanized steel

#### Finish

ANSI 61 gray polyester powder paint finish inside and out over galvanized steel. Optional solid panels are white and optional perforated panels are gray.

#### Accessories

See also Accessories.

Industrial Corrosion Inhibitors

Grounding Device

Panels for Type 1 Enclosures and Small Type 3R Enclosures

Touch-Up Paint

Bulletin: A3SM

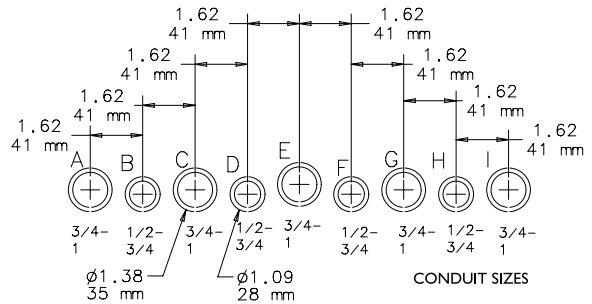
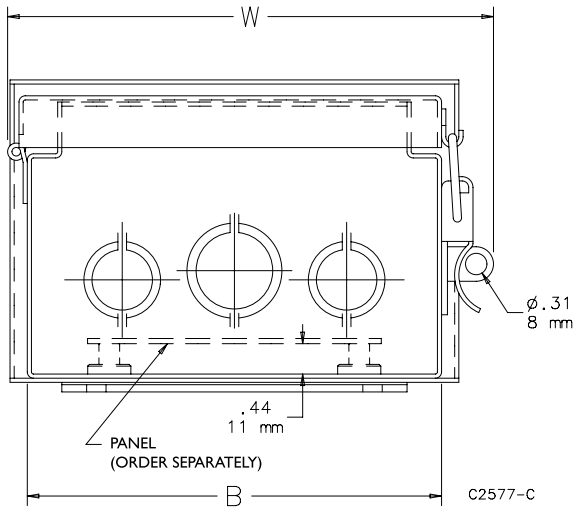
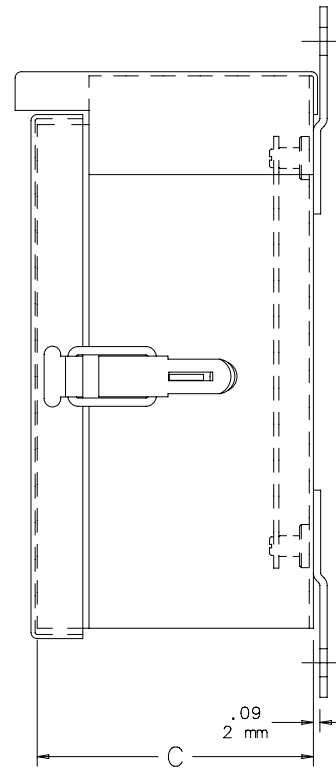
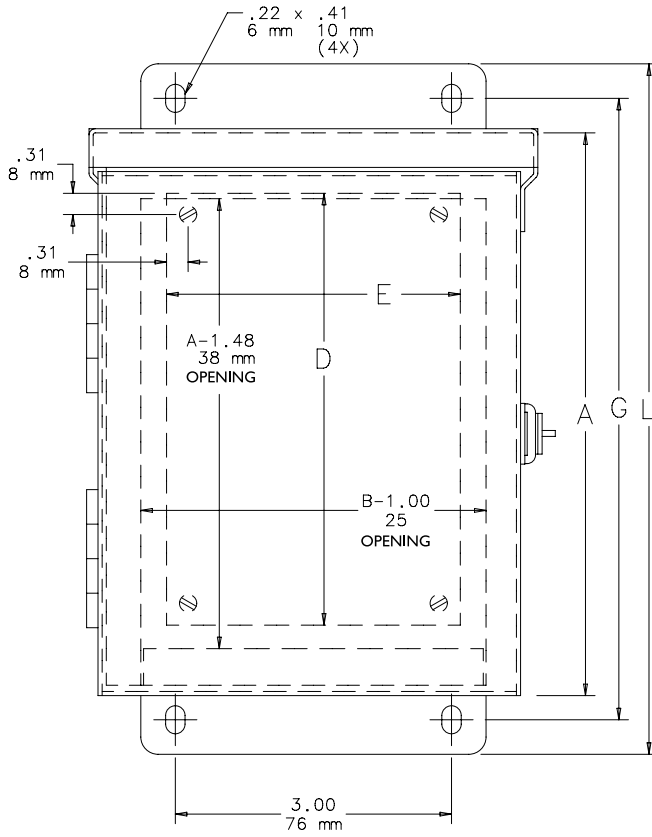
#### Standard Product

Catalog Number	AxBxC in./mm	Panel	Perforated Panel	Panel Size D x E in./mm	Mounting G in./mm	Overall L x W in./mm	Knockout Pattern
A6R44HCR	6.00 x 4.00 x 4.00	A6N4P	A6N4PP	4.25 x 2.25	7.00	8.00 x 4.81	B-C-D
	152 x 102 x 102			108 x 57	178	203 x 122	
A6R64HCR	6.00 x 6.00 x 4.00	A6N6P	A6N6PP	4.25 x 4.25	7.00	8.00 x 6.81	B-C-D
	152 x 152 x 102			108 x 108	178	203 x 173	
A8R64HCR	8.00 x 6.00 x 4.00	A8N6P	A8N6PP	6.25 x 4.25	9.00	10.00 x 6.81	B-C-D
	203 x 152 x 102			159 x 108	229	254 x 173	
A8R86HCR	8.00 x 8.00 x 6.00	A8N8P	A8N8PP	6.25 x 6.25	9.00	10.00 x 8.81	F-G-H-I
	203 x 203 x 152			159 x 159	229	254 x 224	
A10R86HCR	10.00 x 8.00 x 6.00	A10N8P	A10N8PP	8.25 x 6.25	11.0	12.00 x 8.81	F-G-H-I
	254 x 203 x 152			210 x 159	279	305 x 224	
A12R106HCR	12.00 x 10.00 x 6.00	A12N10P	A12N10PP	10.25 x 8.25	13.0	14.00 x 10.81	C-D-E-F-G
	305 x 254 x 152			260 x 210	330	356 x 275	
A12R126HCR	12.00 x 12.00 x 6.00	A12N12P	A12N12PP	10.25 x 10.25	13.0	14.00 x 12.81	C-D-E-F-G
	305 x 305 x 152			260 x 260	330	356 x 325	
A12R1210HCR	12.00 x 12.00 x 10.00	A12N12P	A12N12PP	10.25 x 10.25	13.00	14.00 x 12.81	C-D-E-F-G
	305 x 305 x 254			260 x 260	330	356 x 325	

Purchase panels separately.

Purchase perforated panels separately.

### Hinged-Cover Type 3R Enclosures



**Knockout Pattern**  
(from outside of box)

NOTE: Refer to table for applicable knockout pattern.