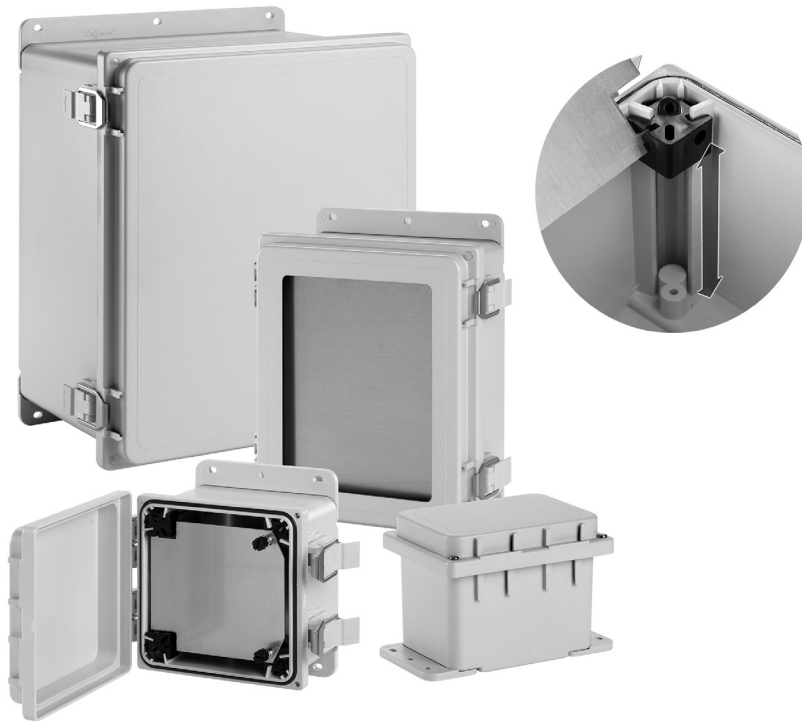


POLYPRO[®], Type 4X

POLYPRO[®], Type 4X



Industry Standards

Mounting brackets required to meet UL/CSA external mounting requirements.

UL 508A Listed; Type 4, 4X, 12, 13; File No. E61997
 cUL Listed per CSA C22.2 No 94; Type 4, 4X, 12, 13; File No. E61997
 Enclosure flammability evaluated per UL 508A
 Window flammability evaluated per UL 508A

NEMA/EEMAC Type 4, 4X, 12, 13
 CSA File No. 42186; Type 4, 4X, 12, 13 (solid covers only)
 IEC 60529, IP66

Application

POLYPRO[®] polyester enclosures perform exceptionally well in applications where harsh chemicals, weather extremes and corrosive environments demand toughness from a lightweight enclosure. Providing excellent ultraviolet protection and a tight environmental seal, these versatile, feature-rich enclosures are also recyclable.

Specifications

- Non-glass-filled polyester material offers superior UV resistance; eliminates fiberbloom associated with fiberglass
- Provides excellent chemical resistance to a broad range of solvents, alkalis and acids
- Resists cracking and provides excellent impact resistance
- Lighter-weight than fiberglass
- Recyclable
- Easy, dustless in-field modifications using standard tools
- Overlapping tongue-and-groove raised cover and gasket provide a secure Type 4X seal

- Removable snap-hinge cover allows for easy access to cover and body for modifications
- Molded layout grid on inside of body and solid covers assists with component mounting
- Molded-in embosses for rear panel mounting
- Optional cover screws included with all models
- Internal rail system and adjustable panel blocks allow for panel height adjustment and installation of multiple panels
- Scratch-resistant polycarbonate windows
- Standard models include body and cover, two mounting feet, two latch assemblies with optional cover screws and hardware (adjustable panel blocks and panels sold separately)

Finish

RAL 7035 light-gray textured finish inside and out

Accessories

See also Accessories.
 Adjustable Panel Block Kit
 Panels for Junction Boxes
 HOL-SEALERS™ Non-Metallic Hole Seals
 Aluminum Swing-Out Panels
 Stainless Steel Latches (Padlockable)
 Hinge Retainers

Modification and Customization

Hoffman excels at modifying and customizing products to your specifications. Contact your local Hoffman sales office or distributor for complete information.

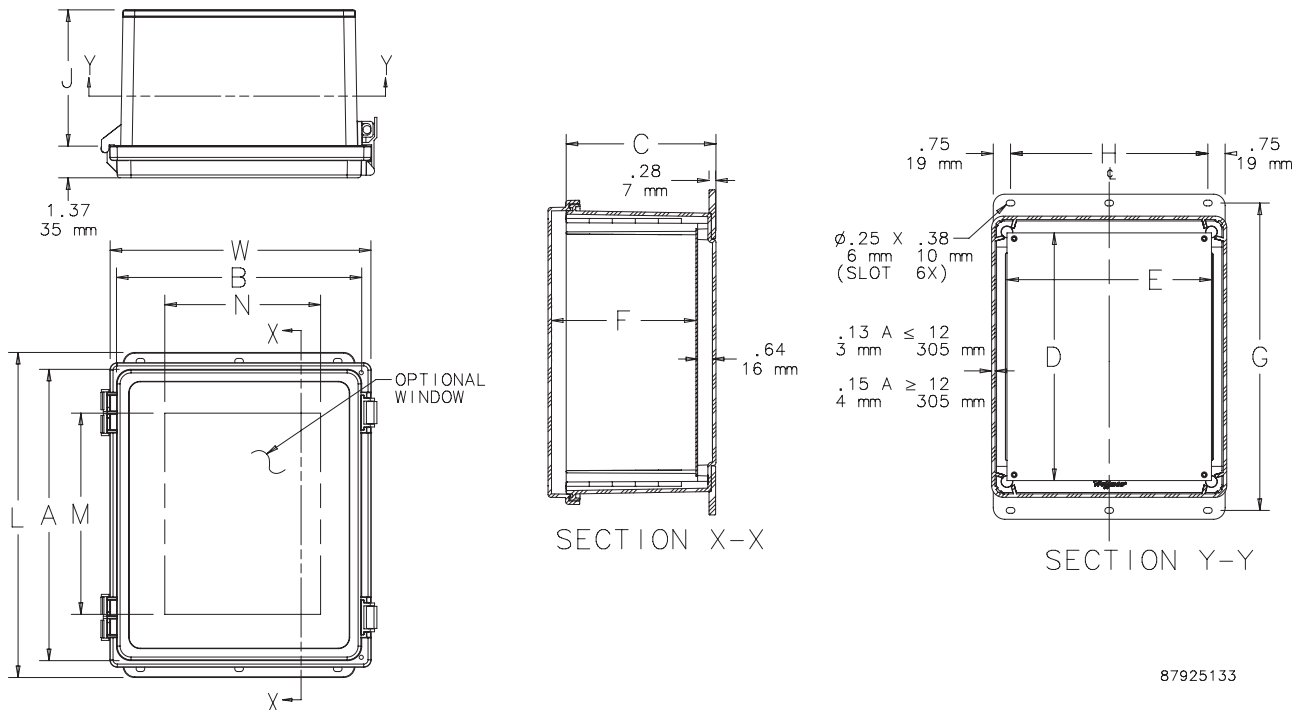
Bulletin: PCR

POLYPRO® , Type 4X

Standard Product

Catalog Number	AxBxC in./mm	Cover Type	Steel Panel	Aluminum Panel	Panel Size								
					D x E in./mm	F in./mm	G in./mm	H in./mm	J in./mm	L in./mm	M in./mm	N in./mm	W in./mm
A644PHC	6.12 x 4.12 x 4.38 155 x 105 x 111	Solid	A6P4	A6P4AL	4.88 x 2.88 124 x 73	4.32 110	7.38 187	2.56 65	3.91 99	8.15 207	—	—	5.23 133
A644PHCW	6.12 x 4.12 x 4.38 155 x 105 x 111	Window	A6P4	A6P4AL	4.88 x 2.88 124 x 73	4.32 110	7.38 187	2.56 65	3.91 99	8.15 207	4.25 108	2.25 57	5.23 133
A664PHC	6.12 x 6.12 x 4.38 155 x 155 x 111	Solid	A6P6	A6P6AL	4.88 x 4.88 124 x 124	4.32 110	7.38 187	4.56 116	3.91 99	8.15 207	—	—	7.23 184
A664PHCW	6.12 x 6.12 x 4.38 155 x 155 x 111	Window	A6P6	A6P6AL	4.88 x 4.88 124 x 124	4.32 110	7.38 187	4.56 116	3.91 99	8.15 207	4.25 108	4.25 108	7.23 184
A864PHC	8.12 x 6.12 x 4.38 206 x 155 x 111	Solid	A8P6	A8P6AL	6.75 x 4.88 171 x 124	4.32 110	9.38 238	4.56 116	3.91 99	10.15 258	—	—	7.23 184
A864PHCW	8.12 x 6.12 x 4.38 206 x 155 x 111	Window	A8P6	A8P6AL	6.75 x 4.88 171 x 124	4.32 110	9.38 238	4.56 116	3.91 99	10.15 258	6.25 159	4.25 108	7.23 184
A884PHC	8.12 x 8.12 x 4.38 206 x 206 x 111	Solid	A8P8	A8P8AL	6.75 x 6.88 171 x 175	4.32 110	9.38 238	6.56 167	3.91 99	10.15 258	—	—	9.23 234
A884PHCW	8.12 x 8.12 x 4.38 206 x 206 x 111	Window	A8P8	A8P8AL	6.75 x 6.88 171 x 175	4.32 110	9.38 238	6.56 167	3.91 99	10.15 258	6.25 159	6.25 159	9.23 234
A1084PHC	10.12 x 8.12 x 4.38 257 x 155 x 111	Solid	A10P8	A10P8AL	8.75 x 6.88 222 x 175	4.32 110	11.38 289	6.56 167	3.91 99	12.15 309	—	—	9.23 234
A1084PHCW	10.12 x 8.12 x 4.38 257 x 155 x 111	Window	A10P8	A10P8AL	8.75 x 6.88 222 x 175	4.32 110	11.38 289	6.56 167	3.91 99	12.15 309	8.25 210	6.25 159	9.23 234
A10106PHC	10.04 x 10.04 x 6.38 255 x 255 x 162	Solid	A10P10	A10P10AL	8.75 x 8.88 222 x 226	6.32 161	11.31 287	8.56 217	5.91 150	12.08 307	—	—	11.23 285
A10106PHCW	10.04 x 10.04 x 6.38 255 x 255 x 162	Window	A10P10	A10P10AL	8.75 x 8.88 222 x 226	6.32 161	11.31 287	8.56 217	5.91 150	12.08 307	8.25 210	8.25 210	11.23 285
A12106PHC	12.08 x 10.09 x 6.38 307 x 256 x 162	Solid	A12P10	A12P10AL	10.75 x 8.88 273 x 226	6.32 161	13.34 339	8.56 217	5.91 150	14.08 358	—	—	11.23 285
A12106PHCW	12.08 x 10.09 x 6.38 307 x 256 x 162	Window	A12P10	A12P10AL	10.75 x 8.88 273 x 226	6.32 161	13.34 339	8.56 217	5.91 150	14.08 358	10.25 260	8.25 210	11.23 285
A14128PHC	14.02 x 12.01 x 8.35 356 x 305 x 212	Solid	A14P12	A14P12AL	12.75 x 10.88 324 x 276	8.27 210	15.27 388	10.56 268	7.91 201	16.04 407	—	—	13.32 338
A14128PHCW	14.02 x 12.01 x 8.35 356 x 305 x 212	Window	A14P12	A14P12AL	12.75 x 10.88 324 x 276	8.27 210	15.27 388	10.56 268	7.91 201	16.04 407	12.25 311	10.25 260	13.32 338
A16148PHC	16.02 x 14.01 x 8.35 407 x 356 x 212	Solid	A16P14	A16P14AL	14.75 x 12.88 375 x 327	8.27 210	17.27 439	12.56 319	7.91 201	18.04 458	—	—	15.32 389
A16148PHCW	16.02 x 14.01 x 8.35 407 x 356 x 212	Window	A16P14	A16P14AL	14.75 x 12.88 375 x 327	8.27 210	17.27 439	12.56 319	7.91 201	18.04 458	14.25 362	12.25 311	15.32 389
A181610PHC	17.95 x 15.94 x 10.35 456 x 405 x 263	Solid	A18P16	A18P16AL	16.75 x 14.88 425 x 378	10.27 261	19.20 488	14.56 370	9.91 252	19.97 507	—	—	17.32 440
A181610PHCW	17.95 x 15.94 x 10.35 456 x 405 x 263	Window	A18P16	A18P16AL	16.75 x 14.88 425 x 378	10.27 261	19.20 488	14.56 370	9.91 252	19.97 507	16.25 413	14.25 362	17.32 440

Purchase panels separately. Panels are available in aluminum, mild steel, stainless steel, conductive and composite materials.



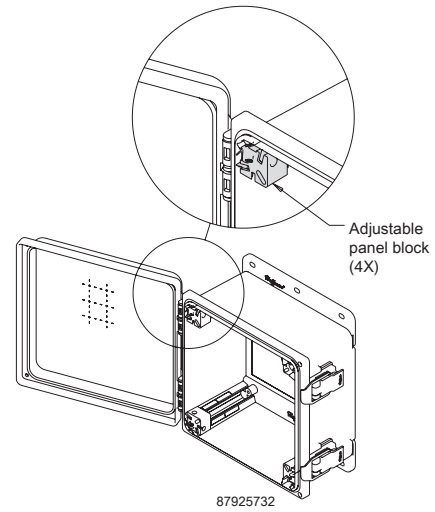
Adjustable Panel Block Kit

Panel blocks slide inside POLYPRO internal rail system for panel height adjustment within top 5 in. of enclosure. Allows for installation of multiple panels.

Bulletin: PCRY

Catalog Number	Qty.
APNLBLK	4

Includes Allen wrench

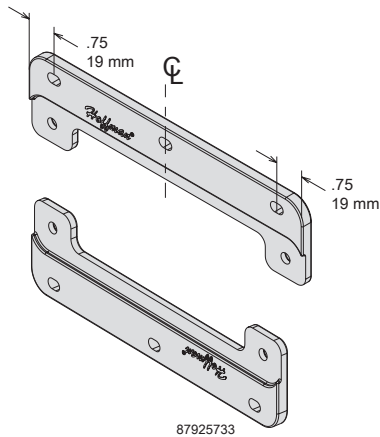


Polyester Mounting Bracket Kits

Replacement POLYPRO mounting brackets are sold in sets of two and include hardware for mounting to enclosure. Included with standard POLYPRO models.

Bulletin: PCRY

Catalog Number	Description (in.)	Qty.
APOLYFT4	4.00	2
APOLYFT6	6.00	2
APOLYFT8	8.00	2
APOLYFT10	10.00	2
APOLYFT12	12.00	2
APOLYFT14	14.00	2
APOLYFT16	16.00	2

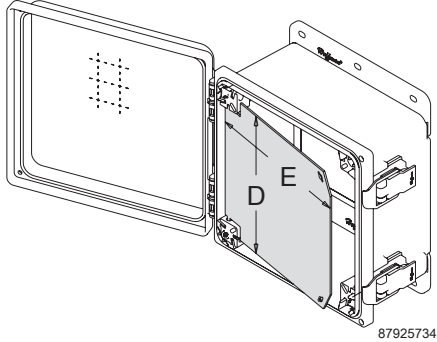


POLYPRO® , Type 4X

Aluminum Swing-Out Panels

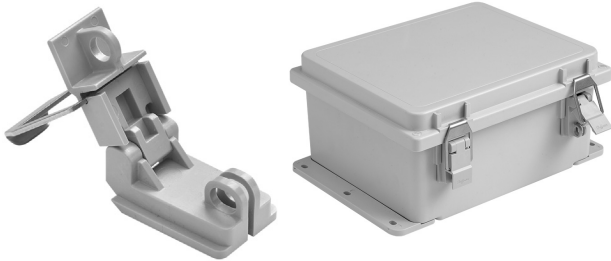
Includes four POLYPRO Adjustable Panel Blocks. No enclosure modification is required for installation.

Bulletin: PCRY



Catalog Number	D x E (in.)	D x E (mm)
A64PSWPNL	5.00 x 3.62	127 x 92
A66PSWPNL	5.00 x 5.62	127 x 143
A86PSWPNL	7.00 x 5.62	178 x 143
A88PSWPNL	7.00 x 7.62	178 x 194
A108PSWPNL	9.00 x 7.62	229 x 194
A1010PSWPNL	9.00 x 9.62	229 x 244
A1210PSWPNL	11.00 x 9.62	279 x 244
A1412PSWPNL	13.00 x 11.62	330 x 295
A1614PSWPNL	15.00 x 13.62	381 x 346
A1816PSWPNL	17.00 x 15.62	432 x 397

Stainless Steel Latches (Padlockable)



Stainless Steel Latches can be retrofitted on all POLYPRO models with no modification or drilling required. Hinge/latch constructed of corrosion-resistant polyester with a Type 316L stainless steel bail. Included with standard POLYPRO models.

Bulletin: PCRY

Catalog Number	Qty.
AQRLSS6	2

Hinge Retainers



Hinge Retainers can be field-installed without modification to POLYPRO hinges for applications where easy cover removal is not desired. Two retainers per enclosure is recommended. Kit includes ten hinge retainers.

Catalog Number	Description	Pkg. Qty.
AHGCLP	POLYPRO Hinge Retainers	10