

## Hinged-Cover Junction Boxes

### Continuous Hinge with Clamps, Type 4



#### Application

A continuous hinge combined with stainless steel clamps on three sides provide environmental protection and security in indoor or outdoor applications.

#### Specifications

- 16 or 14 gauge steel (see table)
- Seams continuously welded and ground smooth
- Stainless steel clamps on three sides of door
- Continuous hinge
- Stainless steel hinge pin
- Oil-resistant gasket
- Weldnuts provided for mounting optional panels and terminal block kits in size 6.00 x 4.00 in. (152 x 102 mm) and larger
- Bonding provision on door
- External wall-mounting brackets

#### Finish

ANSI 61 gray polyester powder paint inside and out

#### Accessories

See also *Accessories*.

Industrial Corrosion Inhibitors

Fast-Operating Clamp-Cover Junction Box Clamp

Lock Kit for Clamp Cover Junction Boxes

Panels for Junction Boxes

Junction Box and Wall-Mount Enclosure Swing Out Panel Kit

Terminal Block Kit Assembly for Junction Boxes Overview

#### Modification and Customization

Hoffman excels at modifying and customizing products to your specifications. Contact your local Hoffman sales office or distributor for complete information.

Bulletin: A51NF

#### Industry Standards

UL 50, 50E Listed; Type 4, 12, 13; File No. E27567  
cUL Listed per CSA C22.2 No. 94; Type 4, 12, 13; File No. E27567  
UL 508A Listed; Type 4, 12, 13; File No. E61997  
cUL Listed per CSA C22.2 No. 94; Type 4, 12, 13; File No. E61997

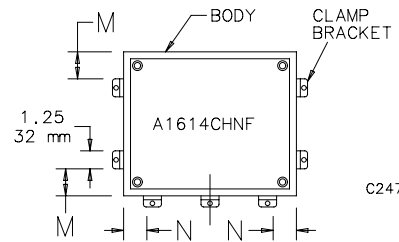
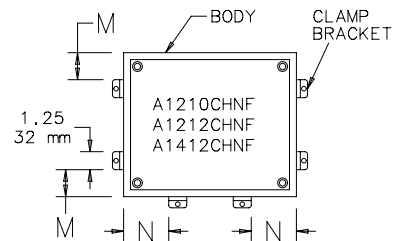
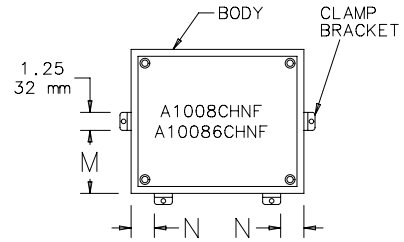
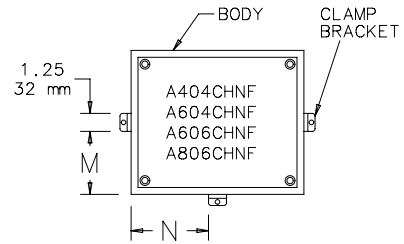
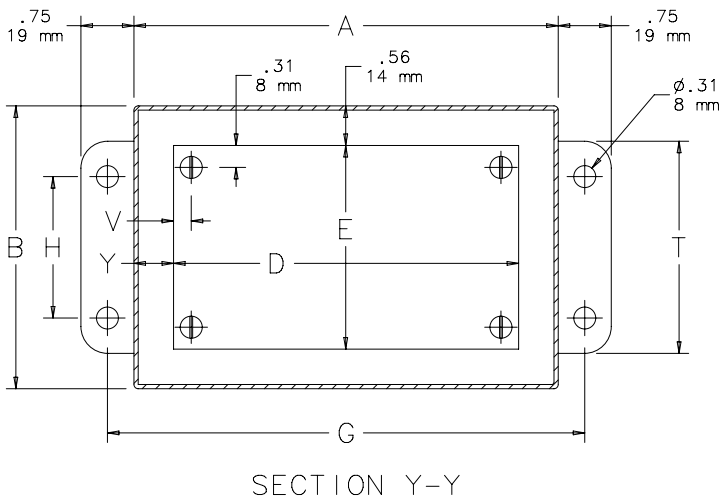
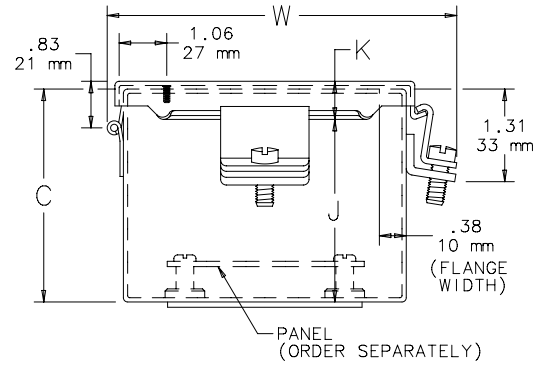
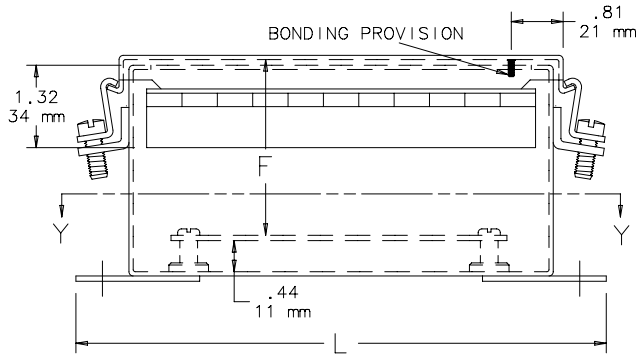
NEMA/EEMAC Type 4, 12, 13  
CSA, File No. 42184: Type 4 and 12  
IEC 60529, IP66

#### Standard Product

| Catalog Number | AxBxCin./mm          | Gauge | UL Listed | Panel    | Conductive Panel | Panel Size      | Mounting        | Overall         | F    | J    | K    | M    | N    | T     | V    | Y    |
|----------------|----------------------|-------|-----------|----------|------------------|-----------------|-----------------|-----------------|------|------|------|------|------|-------|------|------|
|                |                      |       |           |          |                  | D x E<br>in./mm | G x H<br>in./mm | L x W<br>in./mm |      |      |      |      |      |       |      |      |
| A404CHNF       | 4.00 x 4.00 x 3.00   | 16    | 508A      | No Panel | No Panel         | No Panel        | 4.75 x 2.00     | 5.50 x 4.94     | —    | 2.62 | 0.54 | 1.38 | 1.38 | 3.00  | —    | —    |
|                | 102 x 102 x 76       |       |           |          |                  | No Panel        | 121 x 51        | 140 x 125       | —    | 66   | 14   | 35   | 35   | 76    | —    | —    |
| A604CHNF       | 6.00 x 4.00 x 3.00   | 16    | 508A      | A6P4     | A6P4G            | 4.88 x 2.88     | 6.75 x 2.00     | 7.50 x 4.94     | 2.53 | 2.62 | 0.54 | 1.38 | 2.38 | 3.00  | 0.31 | 0.56 |
|                | 152 x 102 x 76       |       |           |          |                  | 124 x 73        | 171 x 51        | 191 x 125       | 64   | 66   | 14   | 35   | 60   | 76    | 8    | 14   |
| A806CHNF       | 8.00 x 6.00 x 3.50   | 14    | 50, 50E   | A8P6     | A8P6G            | 6.75 x 4.88     | 8.75 x 4.00     | 9.50 x 6.94     | 3.03 | 3.12 | 0.56 | 2.38 | 3.38 | 5.00  | 0.25 | 0.62 |
|                | 203 x 152 x 89       |       |           |          |                  | 171 x 124       | 222 x 102       | 241 x 176       | 77   | 79   | 14   | 60   | 86   | 127   | 6    | 16   |
| A606CHNF       | 6.00 x 6.00 x 4.00   | 16    | 50, 50E   | A6P6     | A6P6G            | 4.88 x 4.88     | 6.75 x 4.00     | 7.50 x 6.94     | 3.53 | 3.62 | 0.54 | 2.38 | 2.38 | 5.00  | 0.31 | 0.56 |
|                | 152 x 152 x 102      |       |           |          |                  | 124 x 124       | 171 x 102       | 191 x 176       | 90   | 92   | 14   | 60   | 60   | 127   | 8    | 14   |
| A1008CHNF      | 10.00 x 8.00 x 4.00  | 14    | 50, 50E   | A10P8    | A10P8G           | 8.75 x 6.88     | 10.75 x 6.00    | 11.50 x 8.94    | 3.53 | 3.62 | 0.56 | 3.38 | 1.50 | 7.00  | 0.25 | 0.62 |
|                | 254 x 203 x 102      |       |           |          |                  | 222 x 175       | 273 x 152       | 292 x 227       | 90   | 92   | 14   | 86   | 38   | 178   | 6    | 16   |
| A1210CHNF      | 12.00 x 10.00 x 5.00 | 14    | 50, 50E   | A12P10   | A12P10G          | 10.75 x 8.88    | 12.75 x 8.00    | 13.50 x 10.94   | 4.53 | 4.62 | 0.56 | 2.00 | 3.00 | 9.00  | 0.25 | 0.62 |
|                | 305 x 254 x 127      |       |           |          |                  | 273 x 225       | 324 x 203       | 343 x 278       | 115  | 117  | 14   | 51   | 76   | 229   | 6    | 16   |
| A10086CHNF     | 10.00 x 8.00 x 6.00  | 14    | 50, 50E   | A10P8    | A10P8G           | 8.75 x 6.88     | 10.75 x 6.00    | 11.50 x 8.94    | 5.53 | 5.62 | 0.56 | 3.38 | 1.50 | 7.00  | 0.25 | 0.62 |
|                | 254 x 203 x 152      |       |           |          |                  | 222 x 175       | 273 x 152       | 292 x 227       | 140  | 143  | 14   | 86   | 38   | 178   | 6    | 16   |
| A1212CHNF      | 12.00 x 12.00 x 6.00 | 14    | 50, 50E   | A12P12   | A12P12G          | 10.75 x 10.88   | 12.75 x 10.00   | 13.50 x 12.94   | 5.53 | 5.62 | 0.56 | 2.50 | 2.50 | 11.00 | 0.25 | 0.62 |
|                | 305 x 305 x 152      |       |           |          |                  | 273 x 276       | 324 x 254       | 343 x 329       | 140  | 143  | 14   | 64   | 64   | 279   | 6    | 16   |
| A1412CHNF      | 14.00 x 12.00 x 6.00 | 14    | 50, 50E   | A14P12   | A14P12G          | 12.75 x 10.88   | 14.75 x 10.00   | 15.50 x 12.94   | 5.53 | 5.62 | 0.56 | 2.00 | 3.00 | 11.00 | 0.25 | 0.62 |
|                | 356 x 305 x 152      |       |           |          |                  | 324 x 276       | 375 x 254       | 394 x 329       | 140  | 143  | 14   | 51   | 76   | 279   | 6    | 16   |
| A1614CHNF      | 16.00 x 14.00 x 6.00 | 14    | 50, 50E   | A16P14   | A16P14G          | 14.75 x 12.88   | 16.75 x 12.00   | 17.50 x 14.94   | 5.53 | 5.62 | 0.56 | 3.50 | 1.50 | 13.00 | 0.25 | 0.62 |
|                | 406 x 356 x 152      |       |           |          |                  | 375 x 327       | 425 x 305       | 445 x 379       | 140  | 143  | 14   | 89   | 38   | 330   | 6    | 16   |

Purchase panels separately. Optional stainless steel, conductive, composite and aluminum panels are available for most sizes.

### Hinged-Cover Junction Boxes



C2478-C