

Clamp Cover

Continuous Hinge with Clamps, Type 12



Industry Standards

UL 50, 50E Listed; Type 12, 13; File No. E27567
cUL Listed per CSA C22.2 No 94; Type 12, 13; File No. E27567

NEMA/EEMAC Type 12, 13
CSA File No. 42184: Type 12
IEC 60529, IP65
Meets NEMA Type 3RX requirements

Application

Lightweight enclosures protect components and controls in indoor applications.

Standard Product

Catalog Number	AxBxC in./mm	Aluminum Panel	Steel Panel	Conductive Panel	Panel Size D x E in./mm	Mounting G x H in./mm	Overall L x W in./mm	F in./mm	J in./mm	P in./mm	T in./mm	V in./mm	Y in./mm
A606CHAL	6.00 x 6.00 x 4.00	A6P6AL	A6P6	A6P6G	4.88 x 4.88	6.75 x 4.00	7.50 x 6.94	3.50	3.56	2.38	5.00	0.31	0.56
	152 x 152 x 102				124 x 124	171 x 102	191 x 176	89	90	60	127	8	14
A8064CHAL	8.00 x 6.00 x 4.00	A8P6AL	A8P6	A8P6G	6.75 x 4.88	8.75 x 4.00	9.50 x 6.94	3.50	3.56	3.38	5.00	0.25	0.62
	203 x 152 x 102				171 x 124	222 x 102	241 x 176	89	90	86	127	6	16
A1008CHAL	10.00 x 8.00 x 4.00	A10P8AL	A10P8	A10P8G	8.75 x 6.88	10.75 x 6.00	11.50 x 8.94	3.50	3.56	1.50	7.00	0.25	0.62
	254 x 203 x 102				222 x 175	273 x 152	292 x 227	89	90	38	178	6	16
A12106CHAL	12.00 x 10.00 x 6.00	A12P10AL	A12P10	A12P10G	10.75 x 8.88	12.75 x 8.00	13.50 x 10.94	5.50	5.56	2.00	9.00	0.25	0.62
	305 x 254 x 152				273 x 225	324 x 203	343 x 278	140	141	51	229	6	16
A1412CHAL	14.00 x 12.00 x 6.00	A14P12AL	A14P12	A14P12G	12.75 x 10.88	14.75 x 10.00	15.50 x 12.94	5.50	5.56	3.00	11.00	0.25	0.62
	356 x 305 x 152				324 x 276	375 x 254	394 x 329	140	141	76	279	6	16
A1614CHAL	16.00 x 14.00 x 6.00	A16P14AL	A16P14	A16P14G	14.75 x 12.88	16.75 x 12.00	17.50 x 14.94	5.50	5.56	1.50	13.00	0.25	0.62
	406 x 356 x 152				375 x 327	425 x 305	445 x 379	140	141	38	330	6	16

Purchase panels separately. Optional stainless steel, composite and aluminum panels are also available for most sizes.

Specifications

- Type 5052 H-32 aluminum .080-in. (2-mm) thick
- Seams continuously welded and ground smooth
- Stainless steel screws and clamps secure cover
- Cover removed by pulling stainless steel continuous hinge pin
- Oil-resistant gasket
- Weldnuts furnished for mounting optional panels and terminal block kits

Finish

Enclosures are unpainted. Cover and sides of body have smooth brushed finish.

Accessories

See also Accessories.

Industrial Corrosion Inhibitors

Fast-Operating Clamp-Cover Junction Box Clamp

Lock Kit for Clamp Cover Junction Boxes

Panels for Junction Boxes

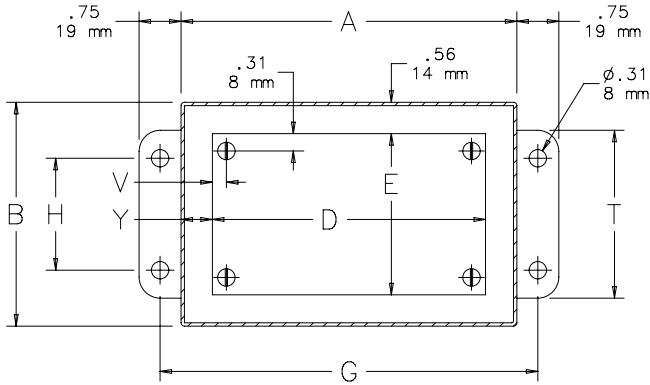
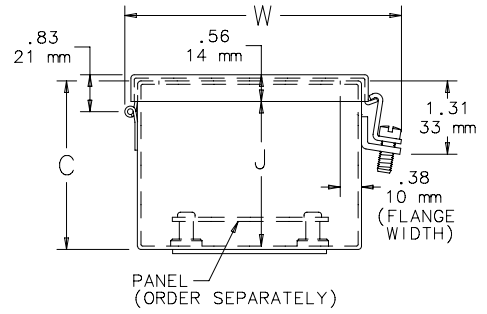
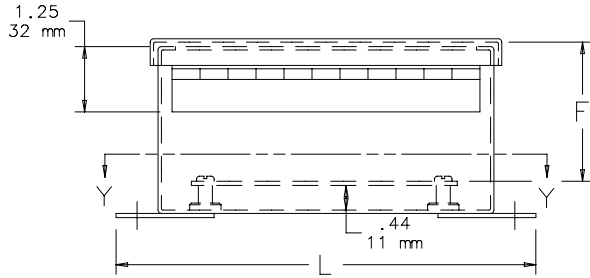
Junction Box and Wall-Mount Enclosure Swing-Out Panel Kit

Modification and Customization

Hoffman excels at modifying and customizing products to your specifications. Contact your local Hoffman sales office or distributor for complete information.

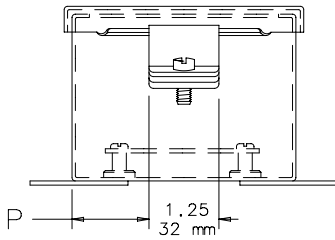
Bulletin: A51A

Clamp Cover

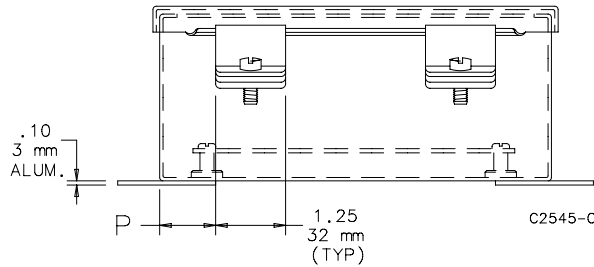


SECTION Y-Y

- NOTES:
1. Aluminum panels are .080 in. (2mm) thick.
 2. Steel panels are 14 gauge.
 3. Stainless steel panel screws are #10-32 pan head.



View showing clamp end of box when one clamp is used.



View showing clamp end of box when two clamps are used. When $A > 8.00$ (203 mm), use two clamps.