

## Screw-Cover Junction Boxes

### Screw Cover, Type 12



#### Application

Ideal for a broad range of applications, this enclosure's screw cover is secured in each corner for a positive seal but easily removed for modifications.

#### Specifications

- 16 or 14 gauge steel
- Seams continuously welded and ground smooth
- Bonding provision on cover
- Oil-resistant gasket
- Weldnuts provided for mounting optional panels and terminal block kits in size 6.00 x 4.00 in. (152 x 102 mm) and larger
- External wall-mounting brackets

#### Finish

ANSI 61 gray polyester powder paint inside and out

#### Accessories

See also *Accessories*.

Panels for Junction Boxes

Junction Box and Wall-Mount Enclosure Swing Out Panel Kit

Terminal Block Kit Assembly for Junction Boxes Overview

Steel and Stainless Steel Window Kits

#### Industry Standards

UL 50, 50E Listed; Type 12, 13; File No. E27525  
 cUL Listed per CSA C22.2 No. 94; Type 12, 13; File No. E27525  
 UL 508A Listed; Type 12, 13; File No. E61997  
 cUL Listed per CSA C22.2 No. 94; Type 12, 13; File No. E61997

NEMA/EEMAC: Type 12 and 13

CSA, File No. 42184: Type 12

IEC 60529, IP65

#### Modification and Customization

Hoffman excels at modifying and customizing products to your specifications. Contact your local Hoffman sales office or distributor for complete information.

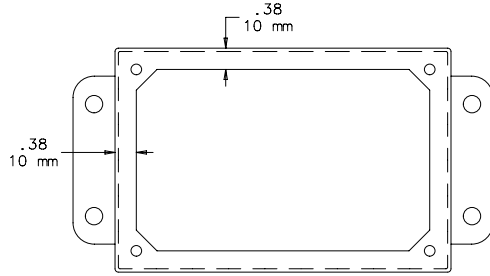
Bulletin: A51SC

#### Standard Product

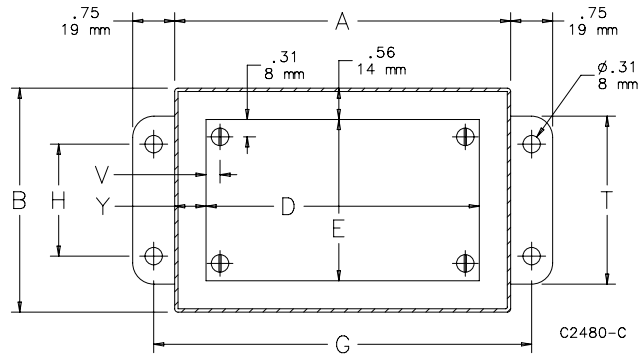
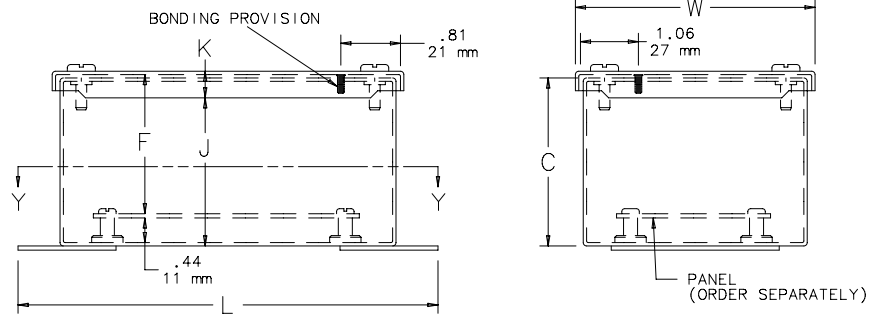
Catalog Number	AxBxC in./mm	Gauge	UL Listed	Panel	Conductive Panel	Panel Size D x E in./mm	Mounting G x H in./mm	Overall L x W in./mm	F in./mm	J in./mm	K in./mm	T in./mm	V in./mm	Y in./mm
A4045C	4.00 x 4.00 x 3.00 102 x 102 x 76	16	508A	No Panel	No Panel	No Panel	4.75 x 2.00 121 x 51	5.50 x 4.23 140 x 107	—	2.50 64	0.66 17	3.00 76	—	—
A6045C	6.00 x 4.00 x 3.00 152 x 102 x 76	16	508A	A6P4	A6P4G	4.88 x 2.88 124 x 73	6.75 x 2.00 171 x 51	7.50 x 4.23 191 x 107	2.53 64	2.50 64	0.66 17	3.00 76	0.318 8	0.56 14
A8065C	8.00 x 6.00 x 3.50 203 x 152 x 89	14	50, 50E	A8P6	A8P6G	6.75 x 4.88 171 x 124	8.75 x 4.00 222 x 102	9.50 x 6.28 241 x 160	3.03 77	3.01 76	0.67 17	5.00 127	0.25 6	0.62 16
A40445C	4.00 x 4.00 x 4.00 102 x 102 x 102	16	508A	No Panel	No Panel	No Panel	4.75 x 2.00 121 x 51	5.50 x 4.23 140 x 107	—	3.50 89	0.66 17	3.00 76	—	—
A60445C	6.00 x 4.00 x 4.00 152 x 102 x 102	16	508A	A6P4	A6P4G	4.88 x 2.88 124 x 73	6.75 x 2.00 171 x 51	7.50 x 4.23 191 x 107	3.53 90	3.50 89	0.66 17	3.00 76	0.31 8	0.56 14
A6065C	6.00 x 6.00 x 4.00 152 x 152 x 102	16	50, 50E	A6P6	A6P6G	4.88 x 4.88 124 x 124	6.75 x 4.00 171 x 102	7.50 x 6.28 191 x 160	3.53 90	3.50 89	0.66 17	5.00 127	0.31 8	0.56 14
A8085C	8.00 x 8.00 x 4.00 203 x 203 x 102	14	50, 50E	A8P8	A8P8G	6.75 x 6.88 171 x 175	8.75 x 6.00 222 x 152	9.50 x 8.28 241 x 210	3.53 90	3.51 89	0.67 17	7.00 178	0.25 6	0.62 16
A10085C	10.00 x 8.00 x 4.00 254 x 203 x 102	14	50, 50E	A10P8	A10P8G	8.75 x 6.88 222 x 175	10.75 x 6.00 273 x 152	11.50 x 8.28 292 x 210	3.53 90	3.51 89	0.67 17	7.00 178	0.25 6	0.62 16
A10105C	10.00 x 10.00 x 4.00 254 x 254 x 102	14	50, 50E	A10P10	A10P10G	8.75 x 8.88 222 x 226	10.75 x 8.00 273 x 203	11.50 x 10.28 292 x 261	3.53 90	3.51 89	0.67 17	9.00 229	0.25 6	0.62 16
A12105C	12.00 x 10.00 x 5.00 305 x 254 x 127	14	50, 50E	A12P10	A12P10G	10.75 x 8.88 273 x 226	12.75 x 8.00 324 x 203	13.50 x 10.28 343 x 261	4.53 115	4.51 115	0.67 17	9.00 229	0.25 6	0.62 16
A80665C	8.00 x 6.00 x 6.00 203 x 152 x 152	14	50, 50E	A8P6	A8P6G	6.75 x 4.88 171 x 124	8.75 x 4.00 222 x 102	9.50 x 6.28 241 x 160	5.53 140	5.51 140	0.67 17	5.00 127	0.25 6	0.62 16
A100865C	10.00 x 8.00 x 6.00 254 x 203 x 152	14	50, 50E	A10P8	A10P8G	8.75 x 6.88 222 x 175	10.75 x 6.00 273 x 152	11.50 x 8.28 292 x 210	5.53 140	5.51 140	0.67 17	7.00 178	0.25 6	0.62 16
A101065C	10.00 x 10.00 x 6.00 254 x 254 x 152	14	50, 50E	A10P10	A10P10G	8.75 x 8.88 222 x 226	10.75 x 8.00 273 x 203	11.50 x 10.28 292 x 261	5.53 140	5.51 140	0.67 17	9.00 229	0.25 6	0.62 16
A12125C	12.00 x 12.00 x 6.00 305 x 305 x 152	14	50, 50E	A12P12	A12P12G	10.75 x 10.88 273 x 276	12.75 x 10.00 324 x 254	13.50 x 12.28 343 x 312	5.53 140	5.51 140	0.67 17	11.00 279	0.25 6	0.62 16
A14125C	14.00 x 12.00 x 6.00 356 x 305 x 152	14	50, 50E	A14P12	A14P12G	12.75 x 10.88 324 x 276	14.75 x 10.00 375 x 254	15.50 x 12.28 394 x 312	5.53 140	5.51 140	0.67 17	11.00 279	0.25 6	0.62 16
A16145C	16.00 x 14.00 x 6.00 406 x 356 x 152	14	UL 50	A16P14	A16P14G	14.75 x 12.88 375 x 327	16.75 x 12.00 425 x 305	17.50 x 14.28 445 x 363	5.53 140	5.51 140	0.67 17	13.00 330	0.25 6	0.62 16

Purchase panels separately. Optional stainless steel, conductive, composite and aluminum panels are available for most sizes.

**Screw-Cover Junction Boxes**



TOP VIEW WITH COVER REMOVED



SECTION Y-Y