

FRP NEMA rating 3, 3R, 4, 4X, 12, 13 enclosures APO with Polyester Cover

Opaque gray cover with non metallic cover screws



Screw Cover

FEATURES

- Bases and covers are made of hot-molded fiberglass reinforced polyester, dyed in mass
- Protection degree IP67-11 according to IEC 529 and CENELEC EN 60529
- APO series are UL-listed, per UL standard 508 and CSA-certified per STD C22.2 No. 94 type 3, 3R, 4, 4X, 12 and 13
- Temperature resistance -58°F to +302°F (-50°C to +150°C)
Momentary to +392°F (200°C)
- Halogen-Free

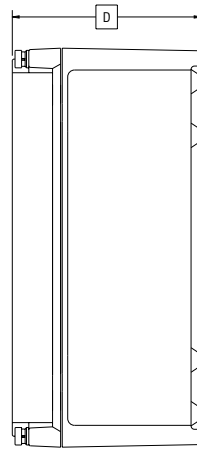
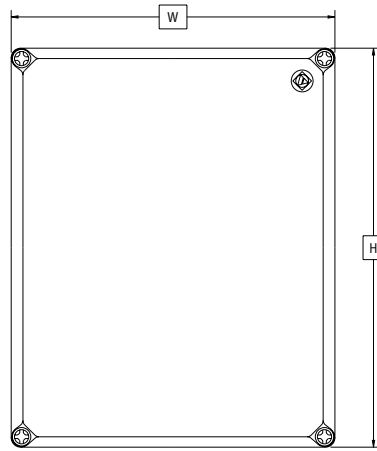
ACCESSORIES

- Versatile mounting options such as non-metallic and stainless steel mounting feet and pole kits
- Coupling accessories such as coupling cover plates, coupling collars and coupling bridges
- Locks, carrying handle and air vents

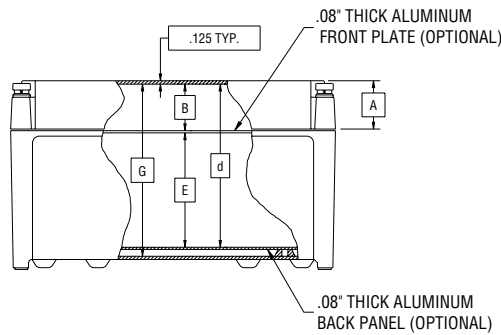
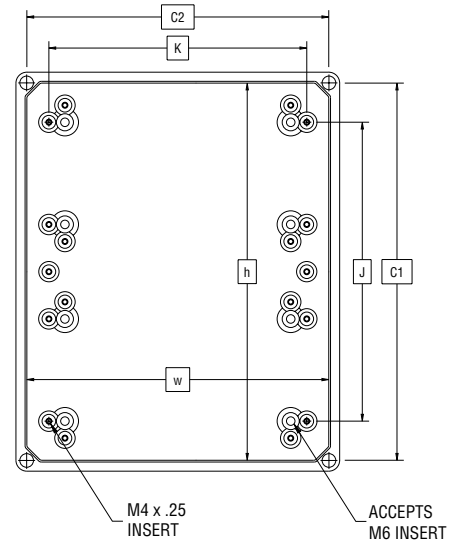
Accessories, see pg. 61

Part Numbers	Outside			Inside			Weight	Backplate			Dimensions H x W	Hinged Aluminum Frontplate
	H	W	D	h	w	d		Aluminum	Steel	Non-Metallic		
A1-706 (mm)	7.32 (186)	5.94 (151)	5.50 (140)	6.54 (166)	5.12 (130)	4.52 (115)	2.5 lb 1.14 kg	BP706A	BP706S	BP706N	5.5 x 4.50 (140 x 114)	FPH706A
A31-1207 (mm)	11.88 (302)	7.32 (186)	6.88 (175)	11.06 (281)	5.64 (166)	5.85 (149)	4.0 lb 1.81 kg	BP1207A	BP1207S	BP1207N	9 x 5.50 (229 x 140)	FPH1207A
A41-1212 (mm)	11.88 (302)	11.88 (302)	6.88 (175)	11.06 (281)	11.06 (281)	5.85 (149)	5.0 lb 2.27 kg	BP1212A	BP1212S	BP1212N	10 x 9 (254 x 229)	FPH1212A
A71-1412 (mm)	14.62 (371)	11.88 (302)	6.88 (175)	13.80 (351)	11.06 (281)	5.85 (149)	6.0 lb 2.72 kg	BP1412A	BP1412S	BP1412N	12 x 10 (305 x 254)	FPH1412A
A51-1912 (mm)	19.20 (488)	11.88 (302)	6.88 (175)	18.30 (467)	11.06 (281)	5.85 (149)	7.5 lb 3.40 kg	BP1912A	BP1912S	BP1912N	17 x 10.50 (432 x 267)	FPH1912A
A81-2212 (mm)	21.93 (557)	11.88 (302)	6.88 (175)	21.10 (536)	11.06 (281)	5.85 (149)	9.5 lb 4.30 kg	BP2212A	BP2212S	BP2212N	19 x 12 (483 x 305)	FPH2212A
A61-2412 (mm)	23.78 (604)	11.88 (302)	6.88 (175)	22.80 (579)	11.06 (281)	5.85 (149)	10.0 lb 4.53 kg	BP2412A	BP2412S	BP2412N	21 x 10 (533 x 254)	FPH2412A
A11-2414 (mm)	23.78 (604)	14.68 (375)	6.88 (175)	22.80 (579)	13.80 (351)	5.85 (149)	11.8 lb 5.35 kg	BP2414A	BP2414S	BP2414N	21 x 12.75 (533 x 324)	FPH2414A
A12-2424 (mm)	23.78 (604)	23.78 (604)	6.88 (175)	22.80 (579)	22.80 (579)	5.85 (149)	17.5 lb 7.93 kg	BP2424A	BP2424S	BP2424N	21.88 x 21.88 (556 x 556)	FPH2424A

** (13 gauge) 1/4 turn screws available, specify FP025A



FRONT VIEW-COVER REMOVED



Part Numbers	Outside			Inside			Dimensions							
	H	W	D	h	w	d	A	B	C1	C2	E	G	J	K
A1-706 (mm)	7.32 (186)	5.94 (151)	5.50 (140)	6.54 (166)	5.12 (130)	4.52 (115)	1.77 45	1.65 42	6.54 166	5.15 131	2.79 71	4.91 125	3.54 90	3.74 95
A31-1207 (mm)	11.88 (302)	7.32 (186)	6.88 (175)	11.06 (281)	5.64 (166)	5.85 (149)	1.77 45	1.65 42	11.06 281	6.54 166	4.12 105	6.37 162	4.92 125	8.27 210
A41-1212 (mm)	11.88 (302)	11.88 (302)	6.88 (175)	11.06 (281)	11.06 (281)	5.85 (149)	1.77 45	1.65 42	11.06 281	11.06 281	4.12 105	6.37 162	9.45 240	8.27 210
A71-1412 (mm)	14.62 (371)	11.88 (302)	6.88 (175)	13.80 (351)	11.06 (281)	5.85 (149)	1.77 45	1.65 42	13.80 351	11.06 281	4.12 105	6.37 162	9.45 240	11.02 280
A51-1912 (mm)	19.20 (488)	11.88 (302)	6.88 (175)	18.30 (467)	11.06 (281)	5.85 (149)	1.77 45	1.65 42	18.30 465	11.06 281	4.12 105	6.37 162	9.45 240	15.59 396
A81-2212 (mm)	21.93 (557)	11.88 (302)	6.88 (175)	21.10 (536)	11.06 (281)	5.85 (149)	1.77 45	1.65 42	21.10 536	11.06 281	4.12 105	6.37 162	9.45 240	18.35 466
A61-2412 (mm)	23.78 (604)	11.88 (302)	6.88 (175)	22.80 (579)	11.06 (281)	5.85 (149)	1.77 45	1.65 42	22.80 579	11.06 281	4.12 105	6.37 162	9.45 240	21.12 536
A11-2414 (mm)	23.78 (604)	14.68 (375)	6.88 (175)	22.80 (579)	13.80 (351)	5.85 (149)	1.77 45	1.65 42	22.80 579	13.80 351	4.12 105	6.37 162	12.20 310	20.12 511
A12-2424 (mm)	23.78 (604)	23.78 (604)	6.88 (175)	22.80 (579)	22.80 (579)	5.85 (149)	1.77 45	1.65 42	22.80 579	22.80 579	4.12 105	6.37 162	21.30 541	20.12 511