

Hinged-Cover Lift-Off Type 3R Enclosures and Accessories

Hinged Cover Lift-Off, Type 3R



Industry Standards

UL 50, 50E Listed; Type 3R; File No. E27567
cUL Listed per CSA C22.2 No 94; Type 3R File No. E27567

NEMA/EEMAC Type 3R
CSA, File 42184: Type 3R
IEC 60529, IP32

Application

Featuring a removable cover for easy mounting and access, these enclosures protect components in applications subject to rain, sleet, snow or dripping water.

Features

- Drip-shield top and seam-free sides, front and back
- Galvanized steel lift-off hinges with stainless steel pins
- Provisions for padlocking on each draw pull catch
- Embossed mounting holes on back of enclosure
- Gasketing along top of door
- No knockouts

Specifications

- 16 or 14 gauge galvanized steel
- 16 gauge cover fastened securely with draw pull catch

Finish

ANSI 61 gray polyester powder paint finish inside and out over galvanized steel. Optional panels are white.

Accessories

See also *Accessories*.

Industrial Corrosion Inhibitors

Electric Heater

Grounding Device

Mounting Bracket Kit

Panel Mounting Kit

Panel Support Kit

Panels for Type 3R, 4, 4X, 12 and 13 Enclosures

Junction Box and Wall-Mount Enclosure Swing Out Panel Kit

Terminal Block Kit Assembly for Junction Boxes Overview

Touch-Up Paint

Steel and Stainless Steel Window Kits

Bulletin: A3LO

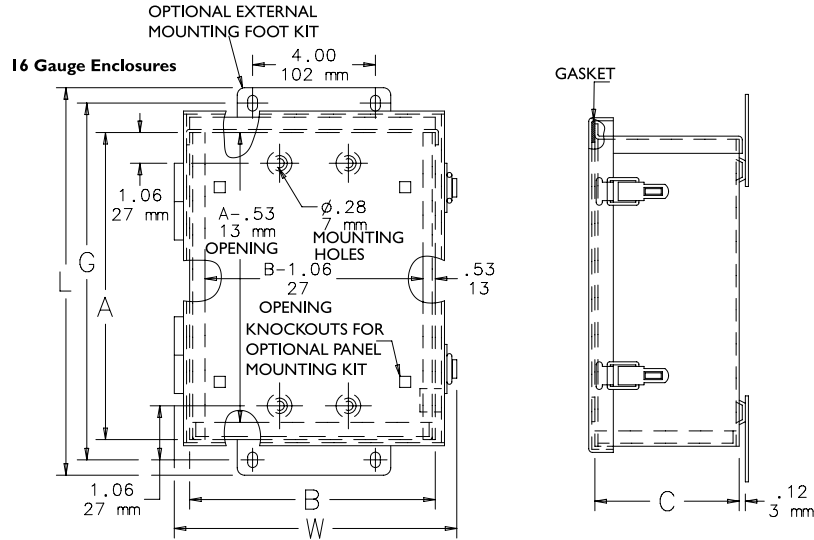
Standard Product

Catalog Number	AxBxC in./mm	Body		Panel Size		Mounting G in./mm	Overall L x W in./mm	Panel Mounting Kit ^a	Mounting Bracket Kit ^b	Bracket Gauge	Overall Width of Bracket in./mm	Hole Spacing For Bracket in./mm
		Gauge	Panel ^a	D x E in./mm	D x E in./mm							
A8R64HCL0	8.00 x 6.00 x 4.00	16	A6P6	4.88 x 4.88	9.12	10.12 x 7.25	APMK3RL016	AMFK3RL016	14	5.00	4.00	
	203 x 152 x 102			124 x 124	232	257 x 184						
A8R86HCL0	8.00 x 8.00 x 6.00	16	A8P6	6.75 x 4.88	9.12	10.12 x 9.25	APMK3RL016	AMFK3RL016	14	5.00	4.00	
	203 x 203 x 152			171 x 124	232	257 x 235						
A10R86HCL0	10.00 x 8.00 x 6.00	16	A8P8	6.75 x 6.88	11.12	12.12 x 9.25	APMK3RL016	APMK3RL016	14	5.00	4.00	
	254 x 203 x 152			171 x 175	282	308 x 235						
A12R106HCL0	12.00 x 10.00 x 6.00	16	A10P10	8.75 x 8.88	13.12	14.12 x 11.25	APMK3RL016	AMFK3RL016	14	5.00	4.00	
	305 x 254 x 152			222 x 226	333	359 x 286						
A12R126HCL0	12.00 x 12.00 x 6.00	16	A12P10	10.75 x 8.88	13.12	14.12 x 13.25	APMK3RL016	AMFK3RL016	14	5.00	4.00	
	305 x 305 x 152			273 x 226	333	359 x 337						
A16R126HCL0	16.00 x 12.00 x 6.00	16	A14P12	12.75 x 10.88	17.12	18.12 x 13.25	APMK3RL016	AMFK3RL016	14	5.00	4.00	
	406 x 305 x 152			324 x 276	435	460 x 337						
A16R166HCL0	16.00 x 16.00 x 6.00	16	A16P16	13.00 x 13.00	17.31	18.31 x 17.25	APMK3RL014	AMFK3RL014	12	14.00	13.00	
	406 x 406 x 152			330 x 330	440	465 x 438						
A20R166HCL0	20.00 x 16.00 x 6.00	16	A20P16	17.00 x 13.00	21.31	22.31 x 17.25	APMK3RL014	AMFK3RL014	12	14.00	13.00	
	508 x 406 x 152			432 x 330	541	567 x 438						
A20R208HCL0	20.00 x 20.00 x 8.00	14	A20P20	17.00 x 17.00	21.31	22.31 x 21.25	APMK3RL014	AMFK3RL014	12	14.00	13.00	
	508 x 508 x 203			432 x 432	541	567 x 540						
A24R208HCL0	24.00 x 20.00 x 8.00	14	A24P20	21.00 x 17.00	25.31	26.31 x 21.25	APMK3RL014	AMFK3RL014	12	14.00	13.00	
	610 x 508 x 203			533 x 432	643	668 x 540						
A24R248HCL0	24.00 x 24.00 x 8.00	14	A24P24	21.00 x 21.00	25.31	26.31 x 25.25	APMK3RL014	AMFK3RL014	12	14.00	13.00	
	610 x 610 x 203			533 x 533	643	668 x 641						
A30R248HCL0	30.00 x 24.00 x 8.00	14	A30P24	27.00 x 21.00	31.31	32.31 x 25.25	APMK3RL014	AMFK3RL014	12	14.00	13.00	
	762 x 610 x 203			686 x 533	795	821 x 641						

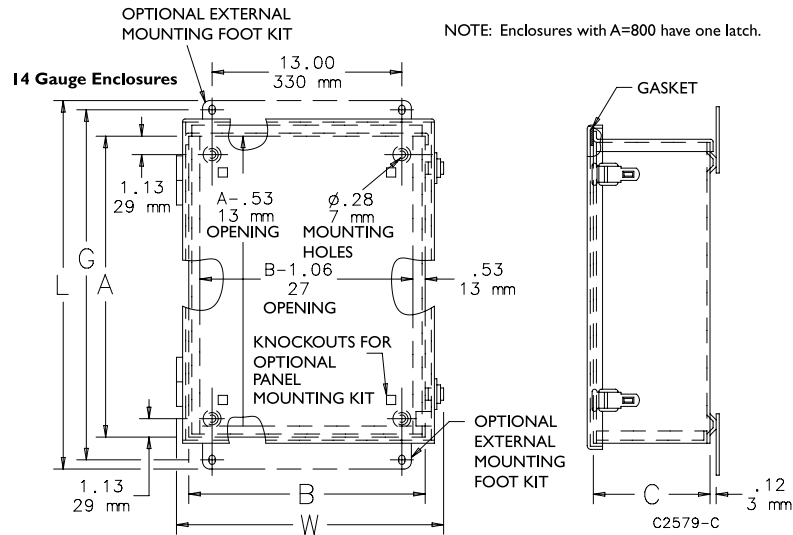
^a Purchase panels separately.

^b Panel Mounting Kit and Mounting Bracket Kit must be ordered separately. (A Panel Mounting Kit must be ordered to install panel.)

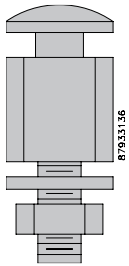
Hinged-Cover Lift-Off Type 3R Enclosures and Accessories



NOTE: Enclosures with A=800 have one latch.



Panel Mounting Kit

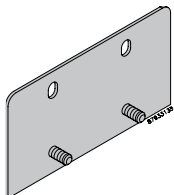


A panel mounting kit (order separately) is required in order to install a panel.

Bulletin: A3LO

Catalog Number	Description
APMK3RL014	Required to install panel
APMK3RL016	Required to install panel

Mounting Bracket Kit



Optional external mounting bracket kit available for installing enclosure (order separately).

Bulletin: A3LO

Catalog Number	Foot Gauge	Overall Foot Width in./mm	Hole Spacing For Foot in./mm
AMFK3RL014	12	14.00	13.00
		356	330
AMFK3RL016	14	5.00	4.00
		127	102