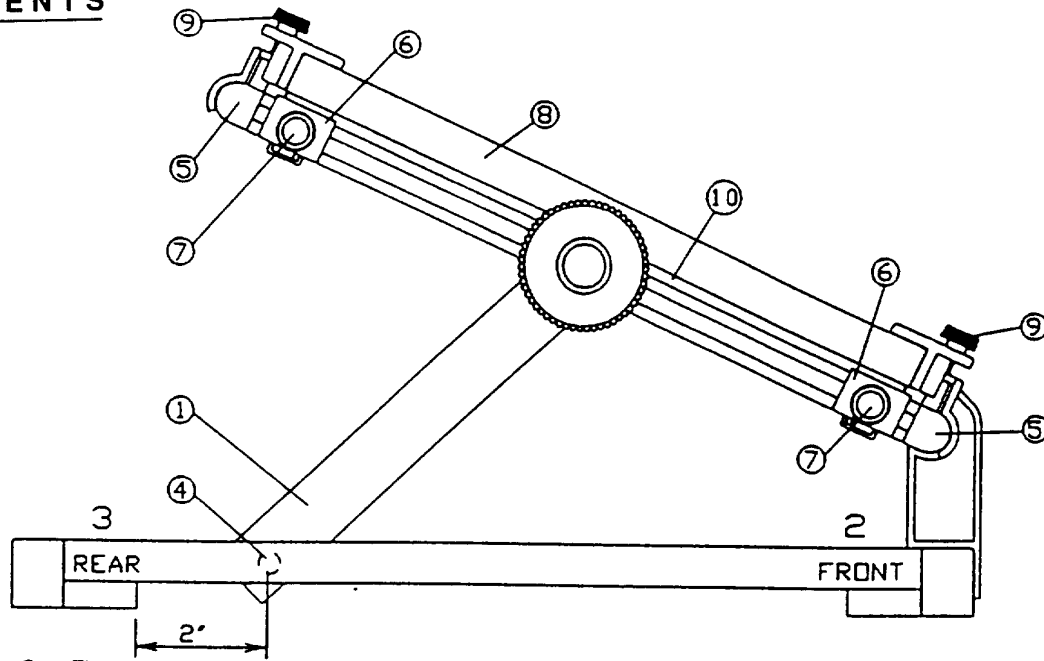


P.C. WORKFRAME WF SERIES

Fig 1



Assembly. See Fig 1.

For transport purposes, the workframe is supplied with the holder support arms (1) fixed loosely in the front position (2). To adjust and fix, simply lift the lid assembly, and move the holder support / fixing knobs (4) to a more rear position (3). The position selected will give a frame position from min horizontal to around max. 45°. A convenient working angle is 25°, which is achieved with the fixing knobs (4) about 2" from the black corner mouldings. Tighten knobs to retain the working angle.

Lid Removal

Lever the lid retaining mouldings off the front & back round bars (5). Alternatively, lever off the front and use the rear fixings as a hinge - to revolve the lid backwards without removing it.

Loading PCB - Various PCB sizes can be held in each model, as follows :-

Model	WF/0	WF/1	WF/2
2 rows (Leave centre bar in)	2 x 110 x 280	2 x 110 x 510	2 x 175 x 510
1 row (Remove centre bar)	1 x 230 x 280	1 x 230 x 510	1 x 360 x 510

The outer bars (6) are spring loaded to assist loading the PCB. When locating bars at the extreme ends of the frame, the end pieces with knobs (7) may need to be 'juggled' to locate the internal U shape holder in the extreme positions. After loading the PCB with components, the lid (8) may be fixed over the frame to hold the loose parts. The lid pressure is adjustable by screwing down the lid screws (9). The lid foam (10) is not glued into the lid. It can be fixed with double sided tape (not supplied) if required. If it is not glued into the lid, it is effectively reversible, hence doubling its life. The standard foam is an antistatic type. A conductive type (which has a harder surface) is available as optional extra. Avoid touching the foam surface with the solder iron.

When the lid is closed, the frame can be revolved to allow the component wires to be cut / bent, or swaged, or soldered / cut. Appropriate hand tools are available to accomplish this.

Location of PCB Holding Bars.

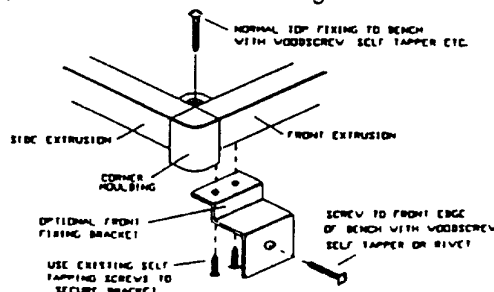
The frame is supplied with bars in the low position which enables the foam to just touch the surface of the PCB. If this is inconvenient, bars may be removed and turned 180°. This gives a gap of 2/3mm between foam and PCB in high foam position. Take care not to lose the bar springs, and note their correct orientation for replacement.

The main unit is made from aluminium, and due to its light weight, fixing the base frame is recommended. This can be achieved either by using the 4 holes in the frame corner mouldings, or by using the 2 black metal brackets as shown in Fig (2)

General

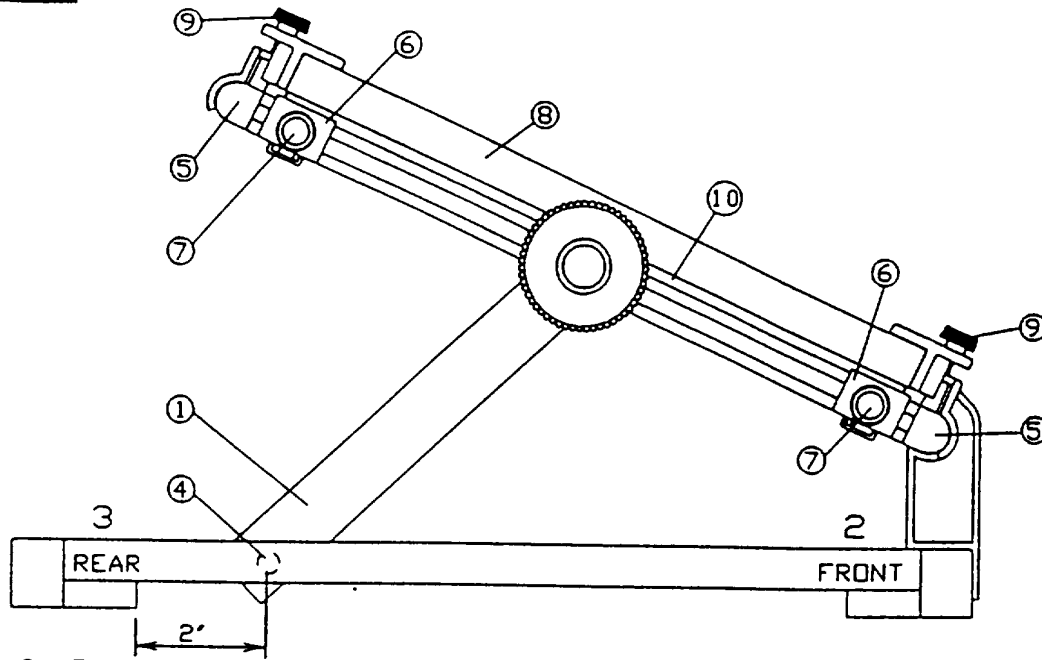
To avoid stripping threads, avoid overtightening all screws and knobs. Users requiring up to 4 rows of PCB / frame, should purchase an additional special version of the holding frame - which has 2 extra pairs of bar holders. (Model suffix X)

Fig 2.



P.C. WORKFRAME WF SERIES

Fig 1



Assembly. See Fig 1.

For transport purposes, the workframe is supplied with the holder support arms (1) fixed loosely in the front position (2). To adjust and fix, simply lift the lid assembly, and move the holder support / fixing knobs (4) to a more rear position (3). The position selected will give a frame position from min. horizontal to around max. 45°. A convenient working angle is 25°, which is achieved with the fixing knobs (4) about 2" from the black corner mouldings. Tighten knobs to retain the working angle.

Lid Removal

Lever the lid retaining mouldings off the front & back round bars (5). Alternatively, lever off the front and use the rear fixings as a hinge - to revolve the lid backwards without removing it.

Loading PCB - Various PCB sizes can be held in each model, as follows :-

Model	WF/0	WF/1	WF/2
2 rows (Leave centre bar in)	2 x 110 x 280	2 x 110 x 510	2 x 175 x 510
1 row (Remove centre bar)	1 x 230 x 280	1 x 230 x 510	1 x 360 x 510

The outer bars (6) are spring loaded to assist loading the PCB. When locating bars at the extreme ends of the frame, the end pieces with knobs (7) may need to be 'juggled' to locate the internal U shape holder in the extreme positions. After loading the PCB with components, the lid (8) may be fixed over the frame to hold the loose parts. The lid pressure is adjustable by screwing down the lid screws (9). The lid foam (10) is not glued into the lid. It can be fixed with double sided tape (not supplied) if required. If it is not glued into the lid, it is effectively reversible, hence doubling its life. The standard foam is an antistatic type. A conductive type (which has a harder surface) is available as optional extra. Avoid touching the foam surface with the solder iron.

When the lid is closed, the frame can be revolved to allow the component wires to be cut / bent, or swaged, or soldered / cut. Appropriate hand tools are available to accomplish this.

Location of PCB Holding Bars.

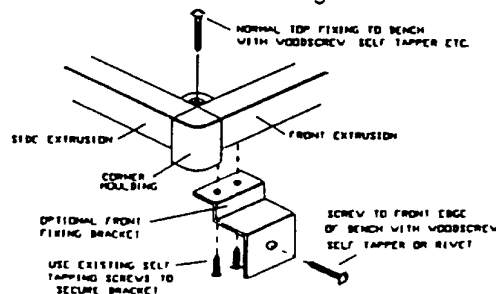
The frame is supplied with bars in the low position which enables the foam to just touch the surface of the PCB. If this is inconvenient, bars may be removed and turned 180°. This gives a gap of 2/3mm between foam and PCB in high foam position. Take care not to lose the bar springs, and note their correct orientation for replacement.

The main unit is made from aluminium, and due to its light weight, fixing the base frame is recommended. This can be achieved either by using the 4 holes in the frame corner mouldings, or by using the 2 black metal brackets as shown in Fig (2)

General

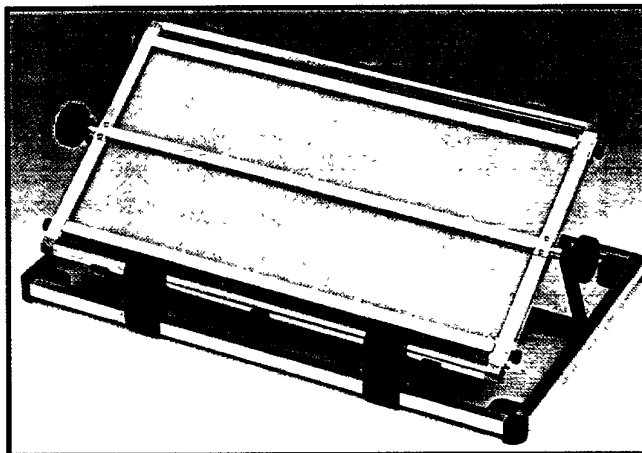
To avoid stripping threads, avoid overtightening all screws and knobs. Users requiring up to 4 rows of PCB / frame, should purchase an additional special version of the holding frame - which has 2 extra pairs of bar holders. (Model suffix X)

Fig 2.



CLIFF**Printed Circuit Workframes WF/ Series**

439-757/769/770.



PC Workframes are designed to facilitate components loading and soldering of small batch runs of assembled printed circuits. The 3 different size models will hold most common Euro norm sized PCB in 1 or 2 rows depending on PCB dimensions and size of frame. The working angle is adjustable from horizontal to 45°. Components are held in place by an antistatic foam sheet. The PCB's are retained in slots in spring loaded adjustable bars. PCB's can be loaded and removed by just springing the bars - once they have been set correctly for the PCB size. This enables rapid loading / unloading in a production situation. The centre bar may be removed (by removing 2 screws), if only a single row of PCB is to be used.

- Method of use :
- 1) Circuit board(s) is loaded in the frame with lid removed.
 - 2) Components are inserted. Where low profile body and high profile body components are to be used adjacent - the low ones should be loaded and 'clenched' or soldered prior to adding the high ones.
 - 3) When components are all loaded, the lid assembly is closed down. The lid pressure is adjusted by 4 or 6 knobs. (4 on WF/0, 6 on WF/1 & WF/2).
 - 4) The frame assembly with lid in place is revolved 180°.
 - 5) The protruding wires may be cut / clenched or soldered / cut as appropriate.
 - 6) Joints may be inspected in-situ.
 - 7) The lid is removed. Populated boards are removed by springing the holding bars to release them. The next 'run' is then loaded.

Models with more than 2 sliding bars can be supplied (to order).

SPECIFICATION

Model No. / Dimensions. Max. sizes of PCB which can be held (mm.)

Model	WF/0	WF/1	WF/2
In 2 rows	2x110x280	2x110x510	2x175x510
In 1 row	1x230x230	1x230x510	1x360x510

Note : The PCB holding frame of WF Series is not designed to be put directly onto the track of the flow soldering machine. We do produce, on a made to order basis, an economical flow soldering frame, FSF/. These have the features necessary to engage the transport rack of most flow solder machines. Customers are required to provide a drawing or a sample of what is required.

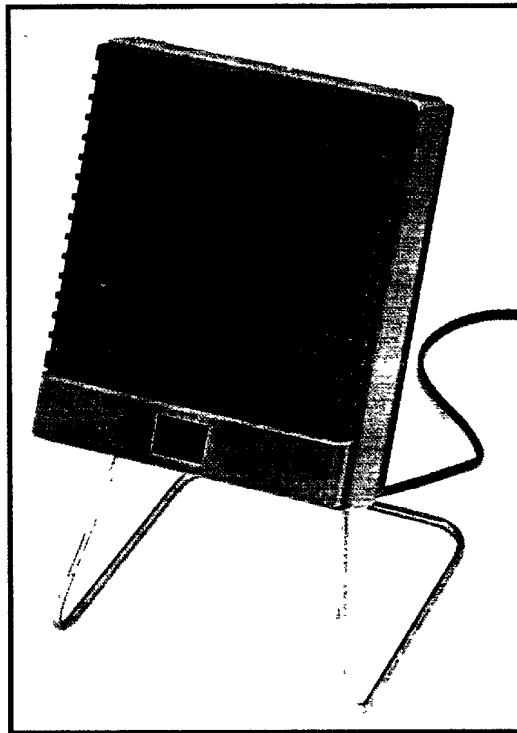
We also produce frames for storage / soaktest / transportation of PCB. Cliff PC-01. Contact Sales.

Distributed by :

Cliff Electronic Components Limited,

76 Holmethorpe Avenue,
Holmethorpe Industrial Estate,
Redhill, Surrey. RH1 2PF. U.K.
Tel : (01737) 771375 Fax : 01737-766012

CLIFFUME® Compact Fumes Extractor SFE/1



CLIFFUME SFE/1 is a low cost, compact, bench top fumes extraction system. It is primarily designed to be used adjacent to hand soldering operations, where it will remove much of the smoke and fumes away from the operator. It can also be used in a gluing environment. (Note some solvents may attack the case and filter).

The unit needs to be located as close to the fumes source as is practical, usually 10-20cm. The optimum position can be found by looking for maximum smoke collection. The stand is designed to hold the fan at an angle, and assist smoke collection. The airflow rate of 55 CuFt / min. is designed to avoid cooling of the work area whilst collecting the maximum of fumes.

SFE/1 contains a filter element comprising activated charcoal filled reticulated foam. This will absorb particles down to about 5 μ . Filters are low cost and quickly changed. Replace the filter when soiled, or when fume collection is observed as significantly reduced. The filter is replaced by removing the front grille, by levering in the position just above the switch. Renew the filter and replace the grille by locating the top first and pressing the bottom latch closed. The unit should be switched off when not in use to save power and optimise filter life. The case is made from antistatic ABS. The stand may be earthed for optimum static dissipation.

The CLIFFUME can be mounted on the end of the Cliff 'ARTIKULA®' arm (accessory). This allows the unit to be located above the work place, and to be moved around as necessary.

The UK model is supplied individually boxed with fitted 13A. plug. Rated AC240V 50Hz. 0.2A. Max.

Ordering Codes :-
OD 6680 UK 230/240V AC Model
OD 66805 Europe 220/240V AC Model (with Euro plug)
OD 66807 USA 110/115V AC Model (with USA plug)
OD 6681 Pack of 5 Filters

Registered Design 2023698

CLIFF 11/96

Distributed by :

Cliff Electronic Components Limited,
76 Holmethorpe Avenue,
Holmethorpe Industrial Estate,
Redhill, Surrey. RH1 2PF. U.K.
Tel : (01737) 771375 Fax : 01737-766012