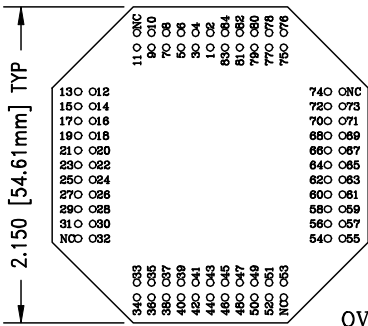
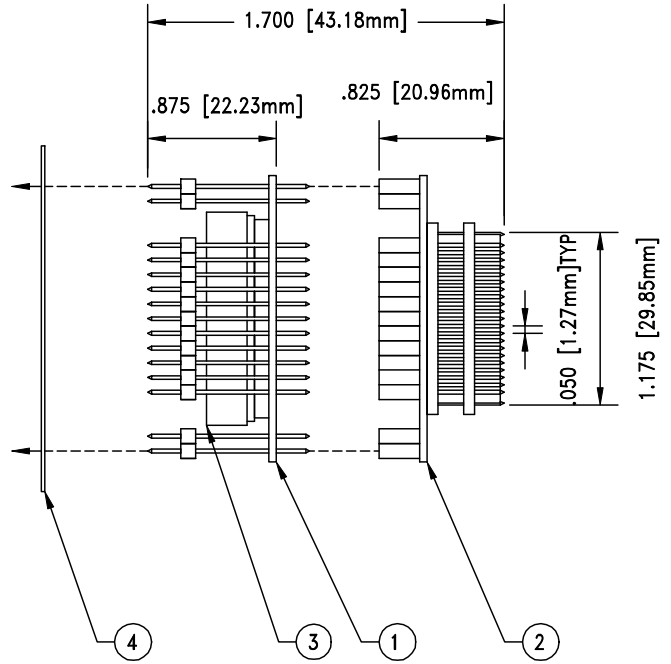
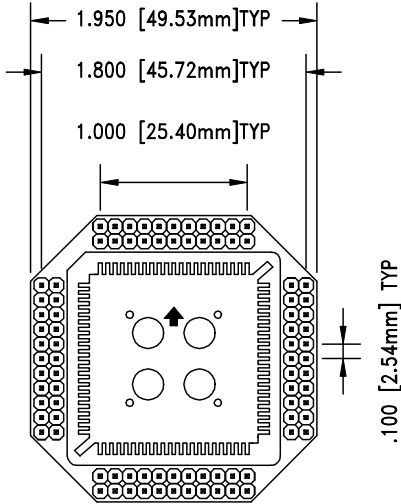


REV	DESCRIPTION	DATE	BY
A	NEW DRAWING	2/25/00	S.M.
B	UPDATED DRAWING SOCKET	04/11/01	H.N.

F4535
DOD 34535



OVRL-BC3/4-84

ALL DIMENSIONS ARE IN INCHES UNLESS OTHERWISE SPECIFIED



**Emulation Technology, Inc.**  
— VLSI and SMT ADAPTERS and ACCESSORIES —

2344 Walsh Avenue, Bldg. F  
Santa Clara, Ca 95051

TEL:(408)982-0660  
FAX:(408)982-0664

NO.	ITEM	DESCRIPTION	QTY.
1	BC4-84-SUB1	TOP SUB ASSEMBLY	QTY.
2	AP4-84-SUB1	BOTTOM SUB ASSEMBLY	1
3	S-PCC-13-084-A	PLUG IN ON TOP OF #1	1
4	OVRL-BC3/4-84	OVERLAY	1

SHEET: 1 OF 1	DATE: 04/11/01	REVISION: B	<b>ASSEMBLY DRAWING</b>
CHECKED: Perry Munroe	DRAWN: Steve Martin	ITEM: BC-IV-023/3	
DO NOT SCALE DRAWING			DESCRIPTION: BC4-84-PCC5-0000