



EMULATION TECHNOLOGY, INC.

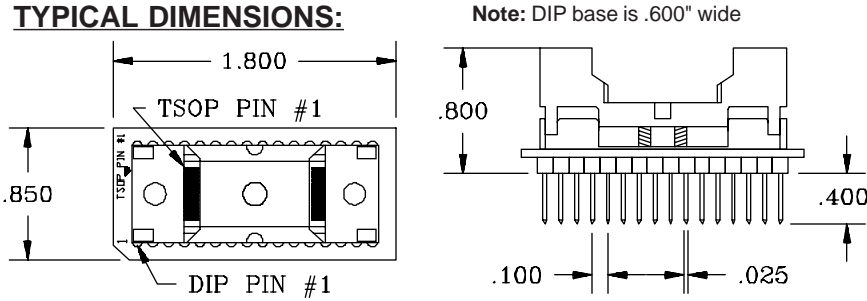
# PROGRAMMING ADAPTER SPECIFICATION

Item: 323201TS600YAMS  
Description: AS-32-32-01TS-6YAM-GANG-S

## REPLACEMENT SOCKET: S-TSO-00-032-D

Call Emulation Technology for a replacement socket price and delivery quote.

### TYPICAL DIMENSIONS:



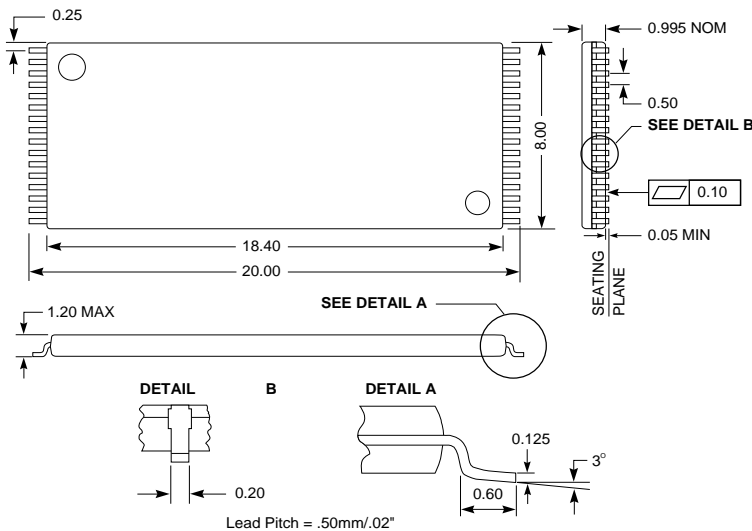
All Dimensions in Inches.

(Assembly Drawing: F2119)

### CONNECTION TABLE:

32-Lead TSOP SOCKET	PIN Names	32-Pin DIP Base
1	A11	25
2	A9	26
3	A8	27
4	A13	28
5	A14	29
6	NC/A17/RP#	30
7	WE#	31
8	V <sub>CC</sub>	32
9	V <sub>PP</sub>	1
10	A16	2
11	A15	3
12	A12	4
13	A7	5
14	A6	6
15	A5	7
16	A4	8
17	A3	9
18	A2	10
19	A1	11
20	A0	12
21	DQ0	13
22	DQ1	14
23	DQ2	15
24	V <sub>SS</sub> (GND)	16
25	DQ3	17
26	DQ4	18
27	DQ5	19
28	DQ6	20
29	DQ7	21
30	CE#	22
31	A10	23
32	OE#	24

### PACKAGE SPECIFICATIONS:



All Dimensions in Millimeters.

ET Code: 032-TS01

#### Compatible TSOP devices:

- E28F010
- E28F020
- E28F001BX
- AT27C010
- AT27C020
- AT27LV040

#### Manufacturers:

- Intel
- ATMEL

#### Programmers:

- Advin Systems:** Pilot-U84/40/32, Pilot-145/4/3, Pilot-800(GM-832D), and Pilot-GE/GCE
- Advantest:** R4945, R4951, R4952
- Aval Data:** PKW-5100/3100/2100/1100
- B&C Microsystems:** Proteus
- BP Microsystems:** BP-1200, EP-1140, EP-1132
- Bytek:** 135HFT, MultiTRK-X000, EZ-FT, 832FT
- Data I/O:** ChipLab-32/48, 29B, 2900, 3900, UniSite(Site 40/48), AutoSite E, S1000(SR40), PSX1000/500(MEMORYRAIL, SR40),212, 288/A
- E.E. Tools:** ET-PIC 4000/32/48
- Emulation Technology, Inc.:** ET-PIC 4000/32/48 and ET-PIC 1000/48

**Elan:** 6000, 4000/5000 TURBO, 3000/4000/5000

**Minato:** 1890A, 1891/2, 1910, 1930

**Needham's Electronics:** EMP20

**Logical Devices:** AllPro-88XR/88/40, Chipmaster 3000, GangPro SII/SE/8+, and 932(Digelec)

**SMS:** Sprint PLUS48/Optima/Expert/MultiSyte/-Plus

**Stag:** Eclipse, 3000, Quasar-1040/1084, Solar, PP39/40/41/42, Orbit, and Stratos 2

**System General:** Multi-APRO, APRO, TURPRO-1/-1FX, SGUP-85A and TURPRO-832/840

Additionally, any programmer supporting the DIP package equivalent.



EMULATION TECHNOLOGY, INC.  
2344 WALSH AVENUE • BUILDING F  
SANTA CLARA, CA 95051-1301

TEL 408 / 982.0660 • FAX 408 / 982.0664