



EMULATION TECHNOLOGY, INC.

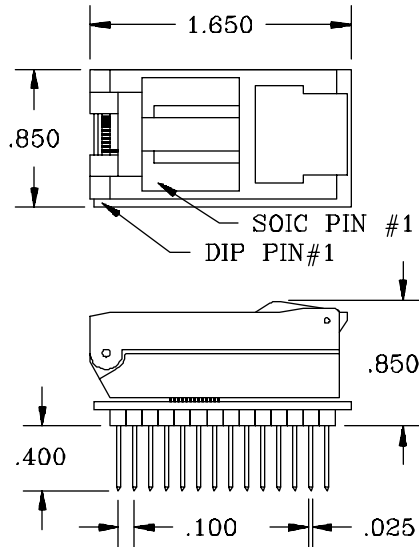
PROGRAMMING ADAPTER SPECIFICATION

Item: 282803S600-GANG
Description: AS-28-28-03S-6-GANG

REPLACEMENT SOCKET: S-SOR-00-028-A

Call Emulation Technology for a replacement socket price and delivery quote.

TYPICAL DIMENSIONS:



Note:
Dip base is .600" wide

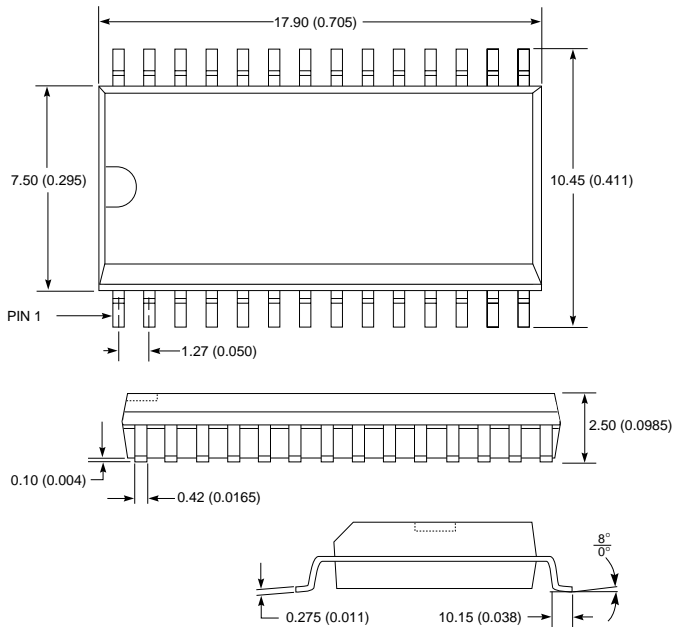
All Dimensions in Inches.

(Assembly Drawing: F2236)

CONNECTION TABLE:

28-Lead SOIC SOCKET	28-Pin DIP Base
1	1
2	2
3	3
4	4
5	5
6	6
7	7
8	8
9	9
10	10
11	11
12	12
13	13
14	14
15	15
16	16
17	17
18	18
19	19
20	20
21	21
22	22
23	23
24	24
25	25
26	26
27	27
28	28

PACKAGE SPECIFICATIONS:



All Dimensions in Millimeters and (Inches).

ET Code: 028-SO03

Compatible SOIC devices:

- 2764 PIC16C57
- 27128 AT27C513R
- 27256 AT27C256R
- 27512 AT27C512R
- 87C256 AT27HC256
- 27C512 AT29C256
- 27C256
- PIC16C55

And others with this package and 1 to 1 connection.

Manufacturers:

- Microchip
- ATMEL



EMULATION TECHNOLOGY, INC.

2344 WALSH AVENUE • BUILDING F
SANTA CLARA, CA 95051-1301

TEL 408 / 982.0660 • FAX 408 / 982.0664

Call today for a FREE Full Line Catalog and Unlimited Application Consulting!