



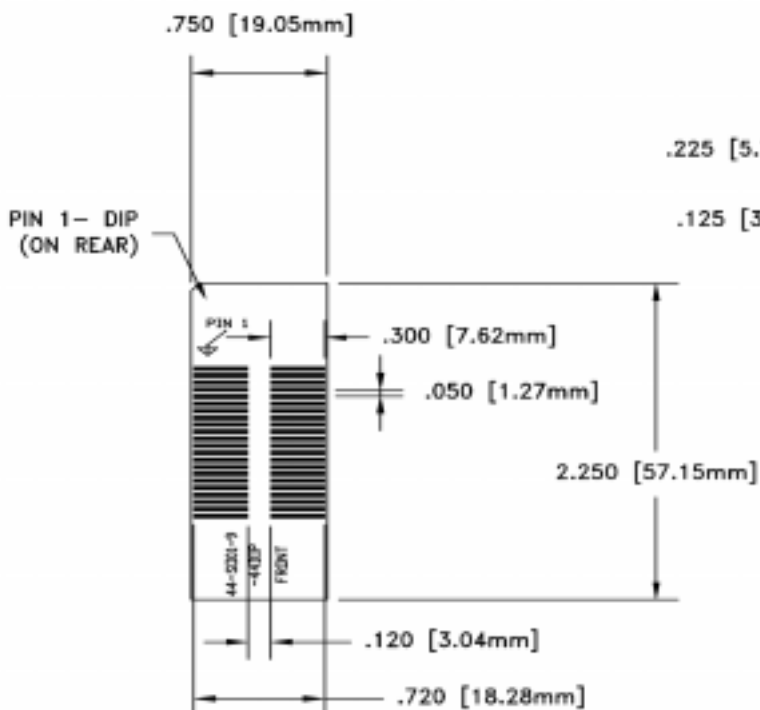
EMULATION TECHNOLOGY, INC.  
 www.1800ADAPTER.com  
 1-800-ADAPTER(232-7837)

# ADAPT-A-BOARD<sup>®</sup> Pin Maps

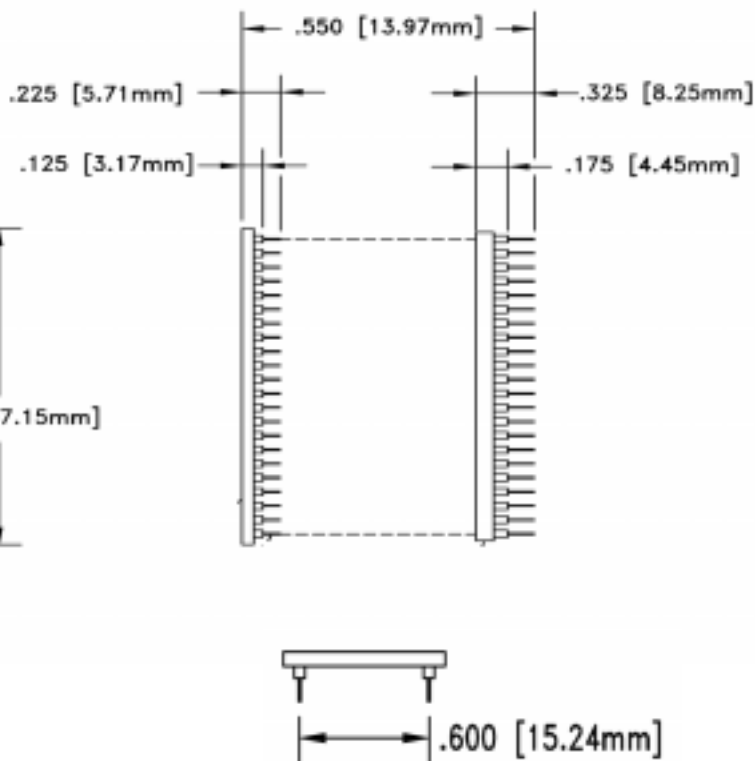
Specification#:  
M2602

Item: AB044SO0SAM  
 Description: AB-044-SO09S-A-M

Top View



Side View



**THIS ADAPTER CAN BE USE WITH THE FOLLOWING IC PACKAGES:**

PACKAGE CODE	BODY SIZE	PITCH
S001		1.27mm
S002		1.27mm
S003		1.27mm
S004	.....	1.27mm

