



EMULATION TECHNOLOGY, INC.

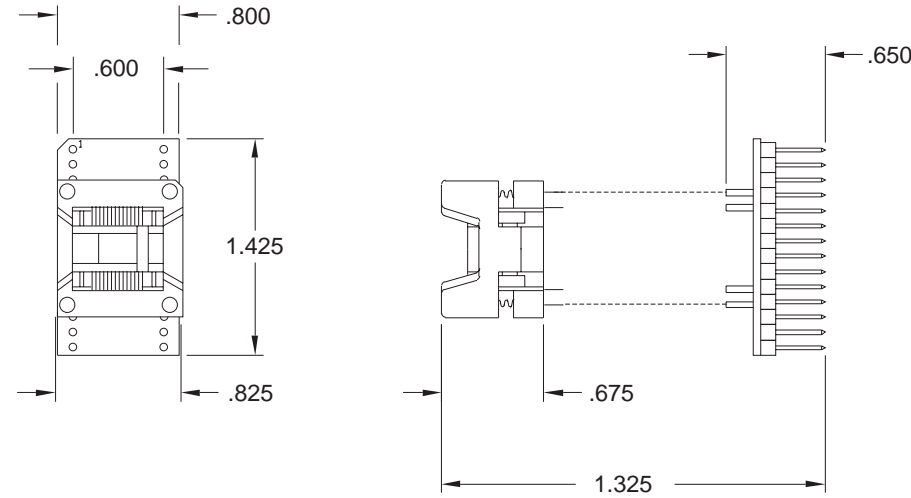
# PROGRAMMING ADAPTER SPECIFICATION

Item: 282802SS600ENPG  
Description: AS-28-28-02SS-6ENP-GANG

**REPLACEMENT SOCKET: S-SSO-00-028-B**

Call Emulation Technology for a replacement socket price and delivery quote.

### TYPICAL DIMENSIONS:



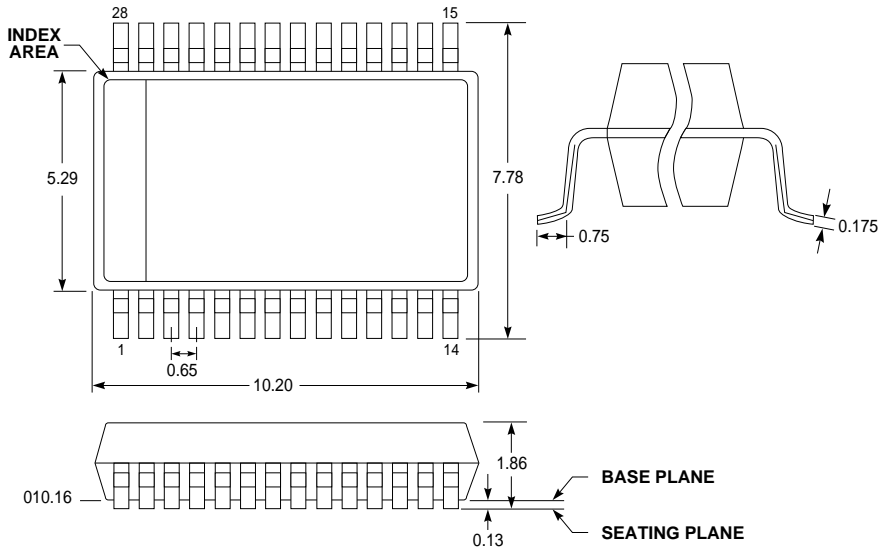
All Dimensions in Inches.

(Assembly Drawing: F3862)

### CONNECTION TABLE:

28-Lead SSOP SOCKET	28-Pin DIP Base
1	1
2	2
3	3
4	4
5	5
6	6
7	7
8	8
9	9
10	10
11	11
12	12
13	13
14	14
15	15
16	16
17	17
18	18
19	19
20	20
21	21
22	22
23	23
24	24
25	25
26	26
27	27
28	28

### PACKAGE SPECIFICATIONS:



All Dimensions in Millimeters.

ET Code: 028-SS34

### Compatible SSOP devices:

16C55/57  
87C751

### Manufacturers:

Microchip  
Philips Semiconductor



EMULATION TECHNOLOGY, INC.

2344 WALSH AVENUE • BUILDING F  
SANTA CLARA, CA 95051-1301

TEL 408 / 982.0660 • FAX 408 / 982.0664

Call today for a FREE Full Line Catalog  
and Unlimited Application Consulting!