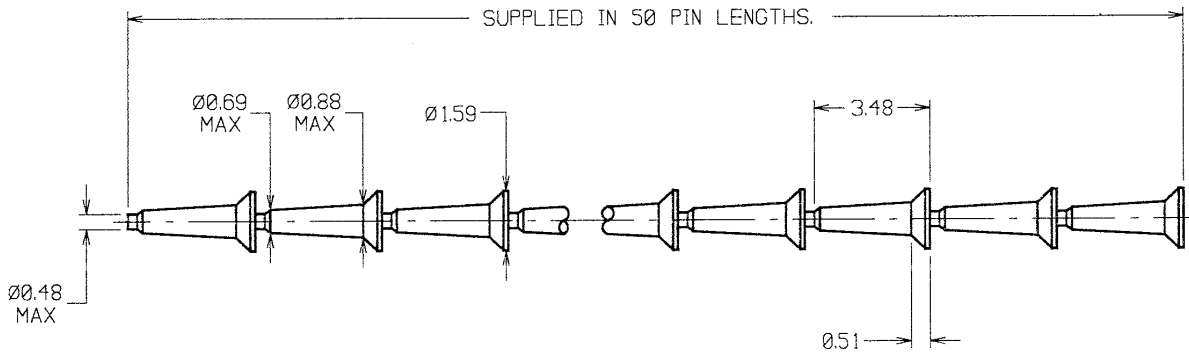


# Customer Information Sheet

DRAWING No.: T1559F46 SHEET 2 OF 2 IF IN DOUBT - ASK (C) NOT TO SCALE THIRD ANGLE PROJECTION ALL DIMENSIONS IN mm



**NOTES:**

1. STRIPS ARE PACKED IN BOXES, 10 STRIPS PER BOX, (QUANTITY 500 PINS PER BOX).
2. USE WITH TRACK PIN INSERTION TOOL Z1002-00. AND INSTRUCTION SHEET IS-06.
3. THESE ITEMS ARE RoHS COMPLIANT.

MCP	1	15.02.06	9029
NAME	ISS.	DATE	C/NOTE
APPROVED: <i>MLC</i>			
CHECKED: <i>MLC</i>			
DRAWN: MARK C PLESTED			
CUSTOMER REF.:			
ASSEMBLY DRG:			

**HARWIN**

HARWIN USA  
TEL: 603 893 5376  
FAX: 603 893 5396  
mfs@harwin.com

HARWIN Europe (UK)  
TEL: 023 9231 4545  
FAX: 023 9231 4590  
mis@harwin.co.uk

HARWIN Asia  
TEL: +65 6 779 4909  
FAX: +65 6 779 3868  
mfs@harwin.com.sg

THIS DRAWING AND ANY INFORMATION OR DESCRIPTIVE MATTER SET OUT HEREON ARE CONFIDENTIAL AND COPYRIGHT PROPERTY OF THE HARWIN GROUP AND MUST NOT BE DISCLOSED, LOANED, COPIED OR USED FOR MANUFACTURING, TENDERING OR FOR ANY OTHER PURPOSE WITHOUT THEIR WRITTEN PERMISSION.

**TOLERANCES**  
X. =  $\pm 1\text{mm}$   
X.X =  $\pm 0.25\text{mm}$   
X.XX =  $\pm 0.10\text{mm}$   
X.XXX =  $\pm 0.01\text{mm}$   
ANGLES =  $\pm 5^\circ$   
UNLESS STATED

**MATERIAL:**  
BRASS CW614N M (CuZn39Pb3)  
TO BS EN 12164

**FINISH:** 100% TIN

**S/AREA:** mm<sup>2</sup>

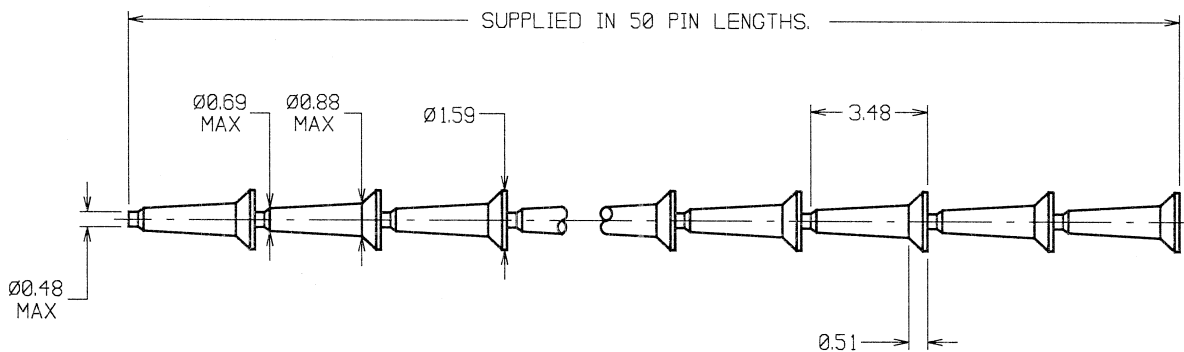
**TITLE:**  
CONTINUOUS TRACK PIN.

**DRAWING NUMBER:**  
T1559F46

SHT 2 OF 2

# Customer Information Sheet

DRAWING No.: T1559F46K    SHEET 2 OF 2    IF IN DOUBT - ASK    ©    NOT TO SCALE    THIRD ANGLE PROJECTION    ALL DIMENSIONS IN mm



**NOTES:**

1. STRIPS ARE PACKED IN BOXES, 20 STRIPS PER BOX, (QUANTITY 1000 PINS PER BOX).
2. USE WITH TRACK PIN INSERTION TOOL Z1002-00. AND INSTRUCTION SHEET IS-06.
3. THESE ITEMS ARE RoHS COMPLIANT.

MCP	1	15.02.06	9029
NAME	ISS.	DATE	C/NOTE
APPROVED: <i>U</i>			
CHECKED: <i>NSB</i>			
DRAWN: MARK G PLESTED			
CUSTOMER REF.:			
ASSEMBLY DRG.:			

**HARWIN**

HARWIN USA TEL: 603 893 5376 FAX: 603 893 5396 mis@harwin.com	HARWIN Europe (UK) TEL: 023 9231 4545 FAX: 023 9231 4590 mis@harwin.co.uk	HARWIN Asia TEL: +65 6 779 4909 FAX: +65 6 779 3668 mis@harwin.com.sg
--	--	--

THIS DRAWING AND ANY INFORMATION OR DESCRIPTIVE MATTER SET OUT HEREON ARE CONFIDENTIAL AND COPYRIGHT PROPERTY OF THE HARWIN GROUP AND MUST NOT BE DISCLOSED, LOANED, COPIED OR USED FOR MANUFACTURING, TENDERING OR FOR ANY OTHER PURPOSE WITHOUT THEIR WRITTEN PERMISSION.

**TOLERANCES**  
 X. - ±1mm  
 X.X - ±0.25mm  
 X.XX - ±0.10mm  
 X.XXX - ±0.01mm  
 ANGLES - +5°  
 UNLESS STATED

**MATERIAL:**  
 BRASS CW614N M (CuZn39Pb3)  
 TO BS EN 12164

**FINISH:** 100% TIN

**S/AREA:** mm<sup>2</sup>

**TITLE:** CONTINUOUS TRACK PIN.

**DRAWING NUMBER:** T1559F46K

SHT 2 OF 2