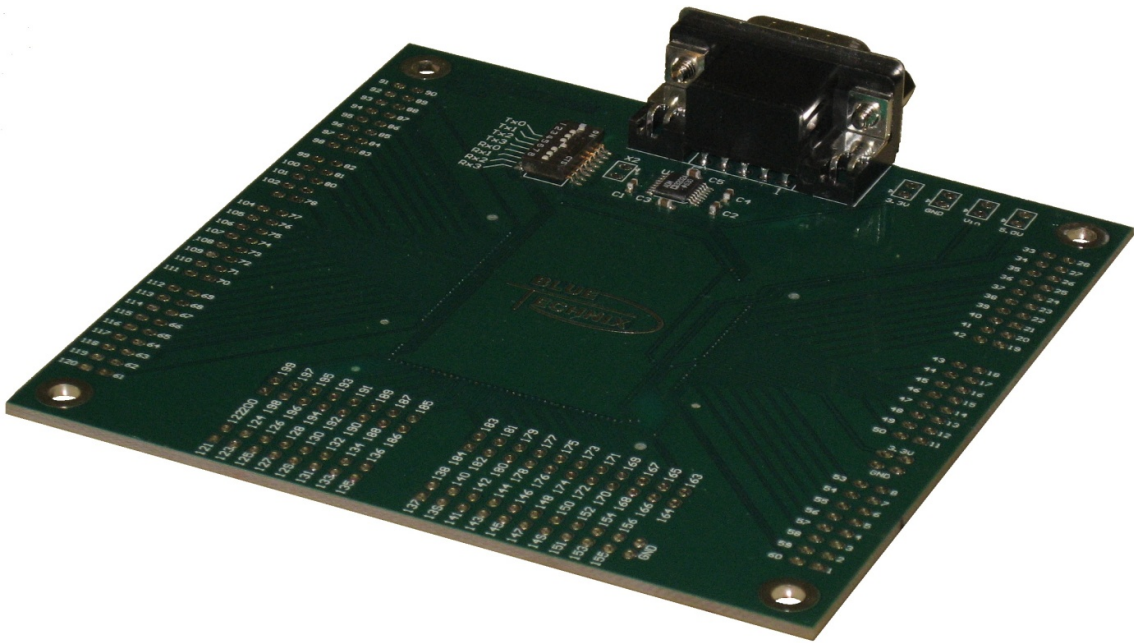


Hardware User Manual



EXT-BF548-EXP V1.0

Tinyboards from Bluetechnix
www.bluetechnix.com

Contact

Bluetechnix Mechatronische Systeme GmbH

Waidhausenstr. 3/19
A-1140 Vienna
AUSTRIA/EUROPE
office@bluetechnix.at
<http://www.bluetechnix.com>

Document No.: 100-2254-1.0

Document Revision 1

2008-12-03

Table of Contents

1	Introduction	1
1.1	Overview.....	1
1.2	Switch Settings.....	2
2	Schematic	3
2.1	Mechanical Outline.....	4
3	Anomalies.....	5
4	Document Revision History	6
A	List of Figures and Tables	7

Edition 2007-02
© Bluetechnix Mechatronische Systeme GmbH 2007
All Rights Reserved.

The information herein is given to describe certain components and shall not be considered as a guarantee of characteristics.

Terms of delivery and rights of technical change reserved.

We hereby disclaim any warranties, including but not limited to warranties of non-infringement, regarding circuits, descriptions and charts stated herein.

Bluetechnix makes and you receive no warranties or conditions, express, implied, statutory or in any communication with you. Bluetechnix specifically disclaims any implied warranty of merchantability or fitness for a particular purpose.

Bluetechnix takes no liability for any damages and errors causing of the usage of this board. The user of this board is responsible by himself for the functionality of his application. He is allowed to use the board only if he has the qualification. More information is found in the General Terms and Conditions (AGB).

Information

For further information on technology, delivery terms and conditions and prices please contact Bluetechnix (<http://www.bluetechnix.com>).

Warnings

Due to technical requirements components may contain dangerous substances.

The Core Modules and development systems contain ESD (electrostatic discharge) sensitive devices. Electrostatic charges readily accumulate on the human body and equipment and can discharge without detection. Permanent damage may occur on devices subjected to high-energy discharges. Proper ESD precautions are recommended to avoid performance degradation or loss of functionality. Unused Core Modules and Development Boards should be stored in the protective shipping package.



BLACKFIN Products

Core Modules:

- CM-BF533: Blackfin Processor Module powered by Analog Devices single core ADSP-BF533 processor; up to 600MHz, 32MB RAM, 2MB Flash, 120 pin expansion connector and a size of 36.5x31.5mm
- CM-BF537E: Blackfin Processor Module powered by Analog Devices single core ADSP-BF537 processor; up to 600MHz, 32MB RAM, 4MB Flash, integrated TP10/100 Ethernet physical transceiver, 120 pin expansion connector and a size of 36.5x31.5mm
- CM-BF537U: Blackfin Processor Module powered by Analog Devices single core ADSP-BF537 processor; up to 600MHz, 32MB RAM, 4MB Flash, integrated USB 2.0 Device, 120 pin expansion connector and a size of 36.5x31.5mm (will be replaced by CM-BF527).
- TCM-BF537: Blackfin Processor Module powered by Analog Devices single core ADSP-BF537 processor; up to 500MHz, 32MB RAM, 8MB Flash, 28x28mm, 120 pin expansion connector, Ball Grid Array or Border Pads for reflow soldering, industrial temperature range -40°C to +85°C.
- CM-BF561: Blackfin Processor Module powered by Analog Devices dual core ADSP-BF561 processor; up to 2x 600MHz, 64MB RAM, 8MB Flash, 120 pin expansion connector and a size of 36.5x31.5mm.
- CM-BF527: The new Blackfin Processor Module is powered by Analog Devices single core ADSP-BF527 processor; key features are USB OTG 2.0 and Ethernet. The 2x60 pin expansion connectors are backwards compatible with other Core Modules.
- CM-BF548: The new Blackfin Processor Module is powered by Analog Devices single core ADSP-BF548 processor; key features are 64MB DDR SD-RAM 2x100 pin expansion connectors.

Development Boards:

- EVAL-BF5xx: Low cost Blackfin processor Evaluation Board with one socket for any Bluetechnix Blackfin Core Module. Additional peripherals are available, such as an SD-Card.
- DEV-BF5xxDA-Lite: Get ready to program and debug Bluetechnix Core Modules with this tiny development platform including a USB Based Debug Agent. The DEV-BF5xxDA-Lite is a low cost starter development system including VDSP++ Evaluation Software License.

- DEV-BF5xx-FPGA: Blackfin Development Board with two sockets for any combination of Blackfin Core Modules. Additional peripherals are available, such as SD-Card, Ethernet, USB host, multi-port JTAG including a USB based Debug Agent, connector for an LCD-TFT Display and connector for a digital camera system. A large on-board SPARTAN-3 FPGA and Soft IPs make this board the most flexible Blackfin development platforms ever developed.
- DEV-BF548DA-Lite: Get ready to program and debug Bluetechnix CM-BF548 Core Module with this tiny development platform including a USB Based Debug Agent. The DEV-BF548DA-Lite is a low cost starter development system including VDSP++ Evaluation Software License.
- EXT-Boards: The following Extender Boards are available: EXT-BF5xx-Audio, EXT-BF5xx-Video, EXT-BF5xx-Camera, EXT-BF5xx-Exp, EXT-BF5xx-ETH-USB, EXT-BF5xx-AD/DA. Additional boards based on customer request are also available.

Software Support:

- BLACKSheep: The BLACKSheep VDK is a multithreaded framework for the Blackfin processor family from Analog Devices that includes driver support for a variety of hardware extensions. It is based on the real-time VDK kernel included within the VDSP++ development environment.
- LabVIEW: LabVIEW embedded support for the CM-BF537E, CM-BF537U and TCM-BF537 Core Modules is based upon the BLACKSheep VDK driver Framework.
- uClinux: All the Core Modules are fully supported by uClinux. The required boot loader and uClinux can be downloaded from: <http://blackfin.uClinux.org>.

Upcoming Products and Software Releases:

Keep up-to-date with all the changes to the Bluetechnix product line and software updates at: www.bluetechnix.com

BLACKFIN Design Service

Based on more than five years of experience with Blackfin, Bluetechnix offers development assistance as well as custom design services and software development.

1 Introduction

The EXT-BF548-EXP Board is an extender plug-on board for the DEV-BF548-Lite and DEV-BF548DA-Lite Development Boards.

1.1 Overview

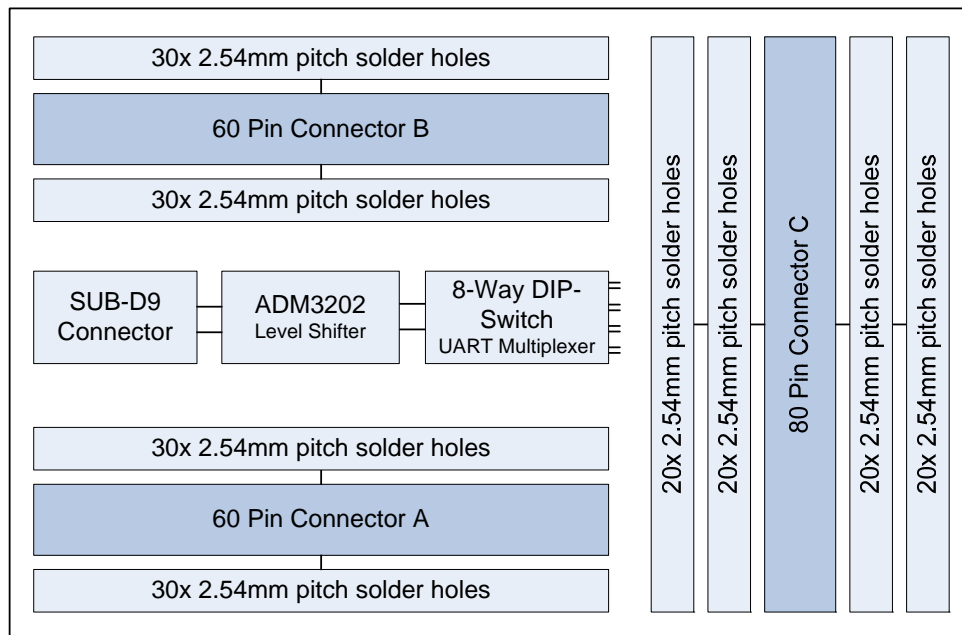


Figure 1-1: Overview of the EXT-BF548-EXP Board

The EXT-BF548-EXP Board includes the following components:

- **1 SUB-D9 UART Connector**
 - ADM3202 1Mbps transceiver compatible to RS232
 - 8 Bit DIP-Switch to multiplex the 4 UARTS to the RS232 transceiver

- **200 Expansion Pads**

The pad number equals to the Core Module pin number of the CM-BF548.

- **8 Power Pads**

1.2 Switch Settings



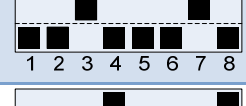

Switch Setting	Blackfin UART No.	Rx-Pin No.	TX Pin No.
 On Off	0	23	38
 On Off	1	26	19
 On Off	2	141	140
 On Off	3	143	142

Table 1-1: Settings for S1

Important NOTE:

When using the DEV-BF548-Lite or the DEV-BF548DA-Lite make sure that S3 on these boards is at the right position to not route the UART0 or UART1 to the USB-UART-Bridge as well as to the ADM3202.

2 Schematic

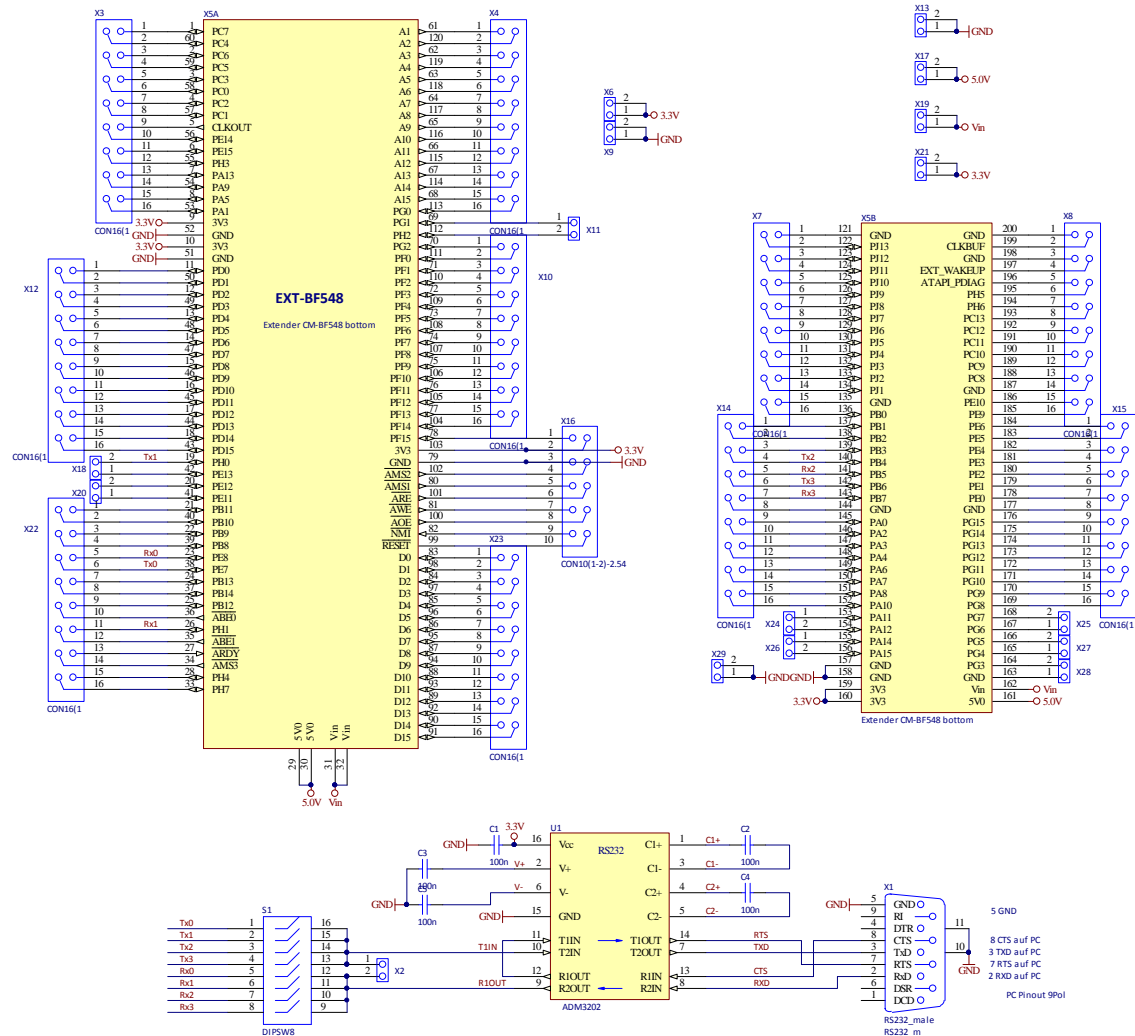


Figure 2-1: Experimental Board Schematic

2.1 Mechanical Outline

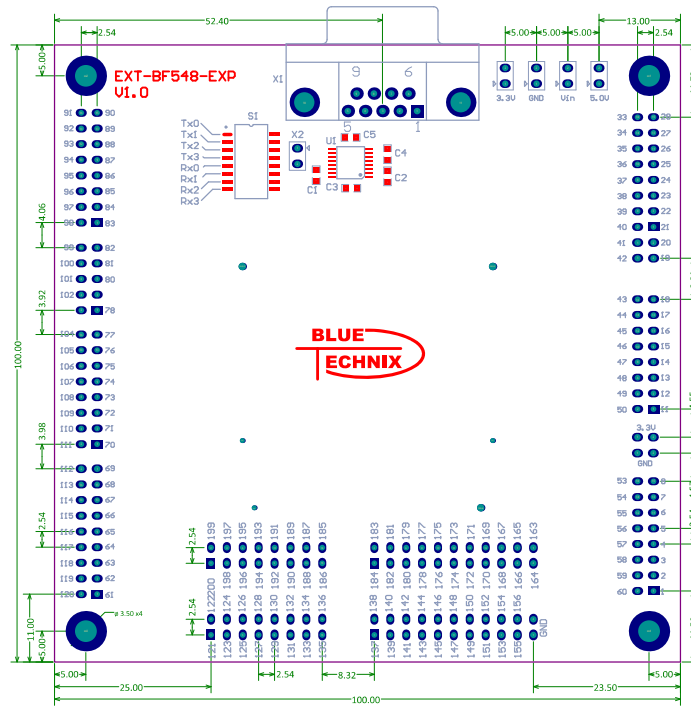


Figure 2-2: Mechanical Outline – TOP

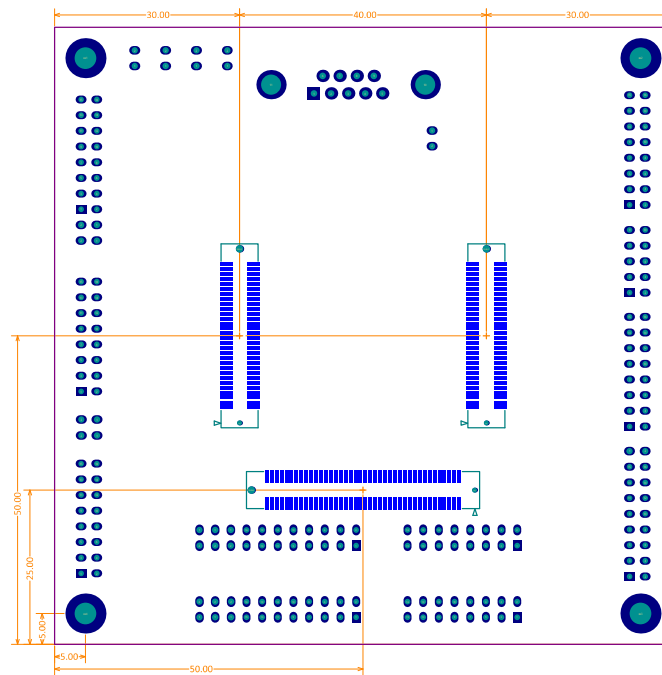


Figure 2-3: Mechanical Outline – Bottom

3 Anomalies

For the latest information regarding anomalies for this product, please consult the product home page:

<http://www.bluetechnix.com/goto/ext-bf548-exp>

4 Document Revision History

Version	Date	Document Revision
1	2008 11 10	Version 1.0

Table 4-1: Revision History

A List of Figures and Tables

Figure 1-1: Overview of the EXT-BF548-EXP Board	1
Figure 2-1: Experimental Board Schematic	3
Figure 2-2: Mechanical Outline – TOP	4
Figure 2-3: Mechanical Outline – Bottom	4
Table 1-1: Settings for S1	2
Table 4-1: Revision History	6