

MB88151A Evaluation Board

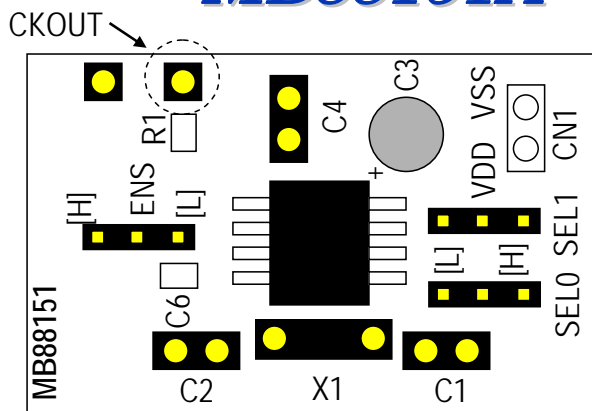
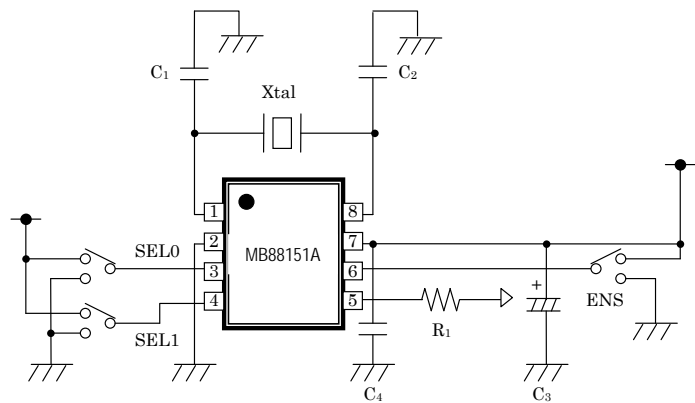


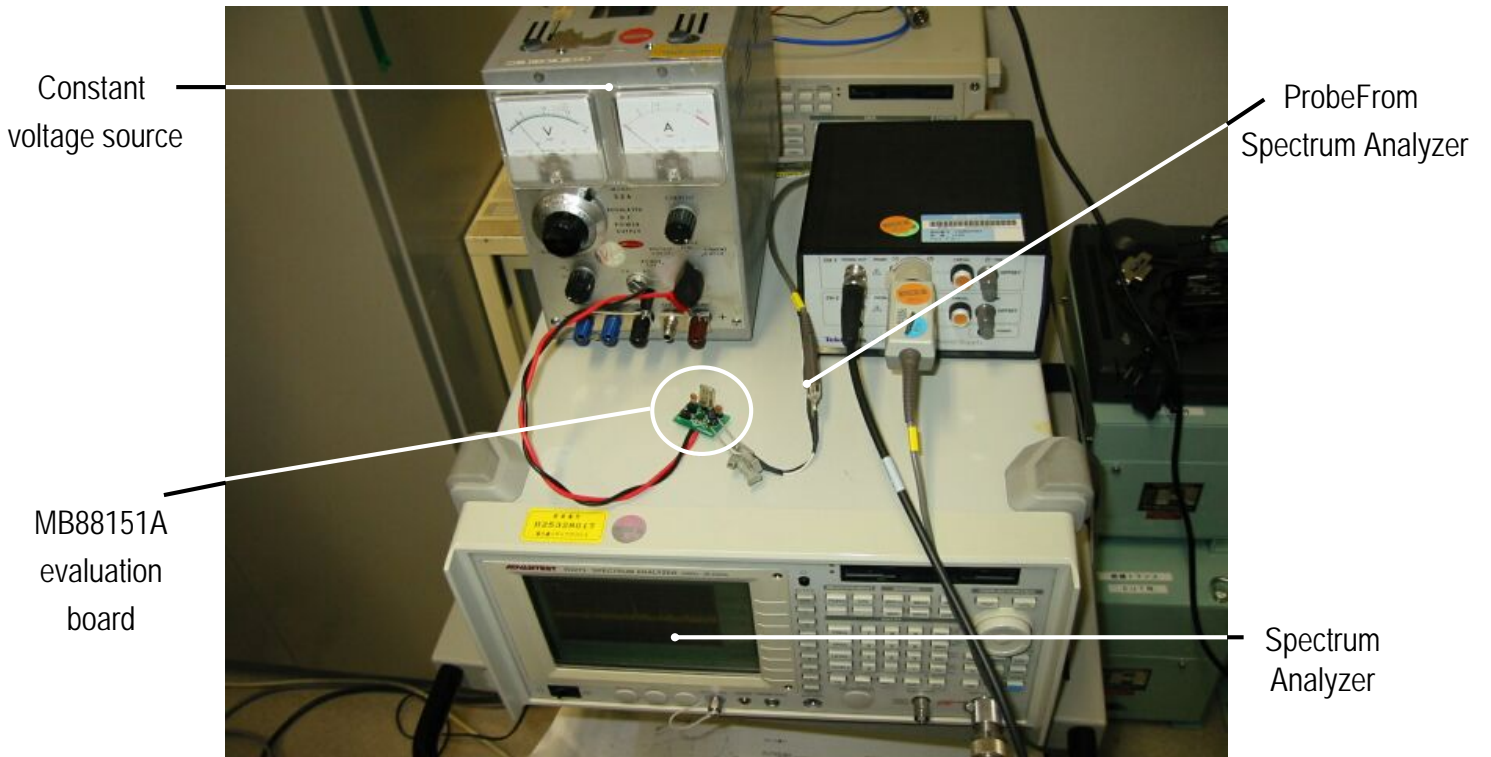
Fig. MB88151AEB01-xxx



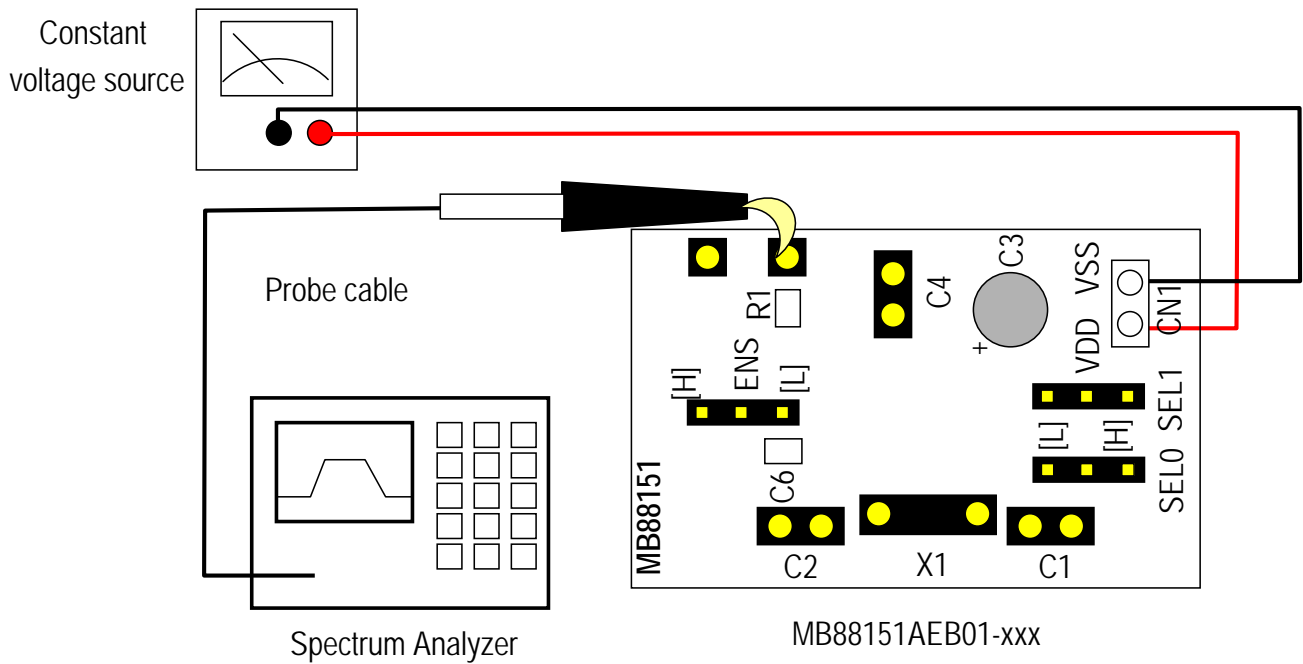
Circuit diagram

- SEL0/1,ENS : Setting Vcc/GND with jumper.
- X1 : Crystal oscillator socket
- C1/C2 : Oscillation stability capacity socket
- CN1 : Power supply voltage terminal VDD : 3.3V VSS : GND(0V)
- CKOUT : Modulated Clock output terminal

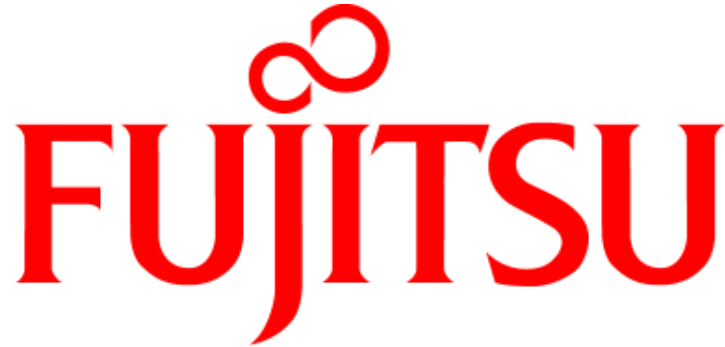
Measurement (ex.)



Measurement (ex.)



You set crystal oscillator to X1, Oscillation stability capacity to C1/C2,VDD/VSS line,and H/L to SEL0/1 and ENS with jumper etc.



THE POSSIBILITIES ARE INFINITE