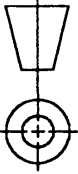


REVISIONS		MOD. No.
ISSUE	DATE	MOD. No.
1	12-11-95	
DRAWING RAISED		ISSUE



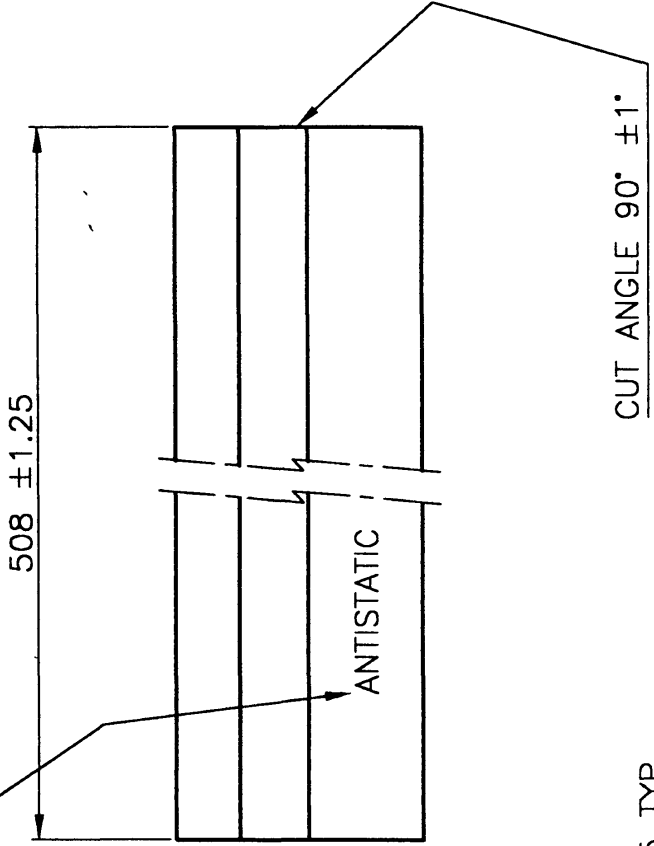
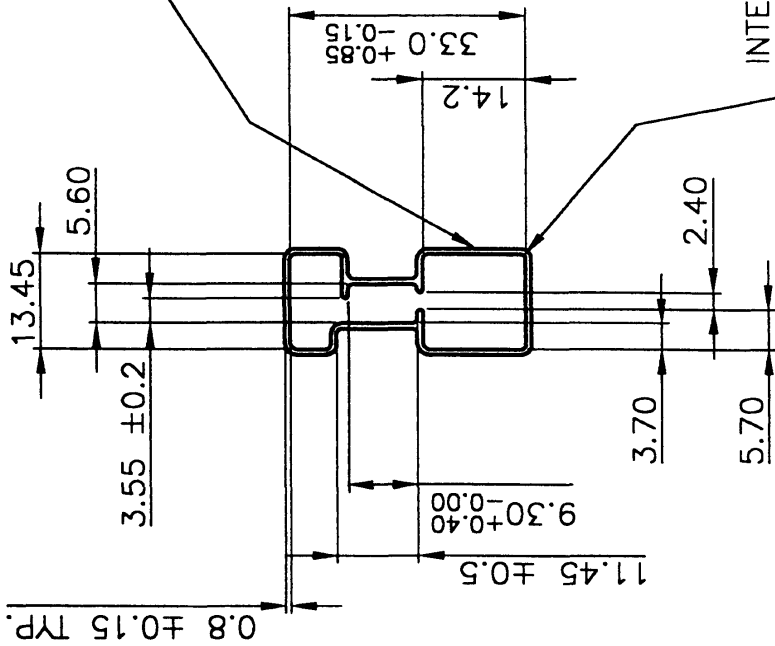
SKY ELECTRONIC SUPPLIES LTD.

Unit 1, Shefford Business Park
Clifton Road
Shefford

Beds. SG17 5AA
Tel: (01462) 814798
Fax: (01462) 814873

IF THIS STAMP IS
NOT RED IN COLOUR
THEN THIS IS AN
UNCONTROLLED COPY

RANDOM PRINT ON
THIS FACE WITH PRINT
WHEEL NUMBER: 56
INK COLOUR: BLUE



ALL UNSPECIFIED TOLERANCES:	0.0	±0.50
ALL DIMENSIONS IN mm	0.00	±0.25
ANGLES	±1°	±1°
TITLE:	TO-220 PACKAGING TUBE	
PART No.:	945357-03	

QUOTE No.	95320	DRAWN	M.C.Pattler
COLOUR	CLEAR	DATE	12-11-95
MATERIAL	RPVC	CHECKED	<i>[Signature]</i>
AREA	90.6 mm ²	DATE	12-10-95
TOOL REF.	N/A	SCALE	1:1



GRAFTON WAY, WEST HAM INDUSTRIAL ESTATE,
BASINGSTOKE, HAMPSHIRE. RG22 6HY
TEL: (0256) 466772 FAX: (0256) 461900

THIS DOCUMENT IS CONFIDENTIAL & ITW PROPERTY. IT MUST NOT BE COPIED OR SHOWN TO OTHERS WITHOUT THE WRITTEN CONSENT OF ITW.