

# 638-833

SKY ELECTRONIC SUPPLIES LTD.

Unit 1, Shefford Business Park

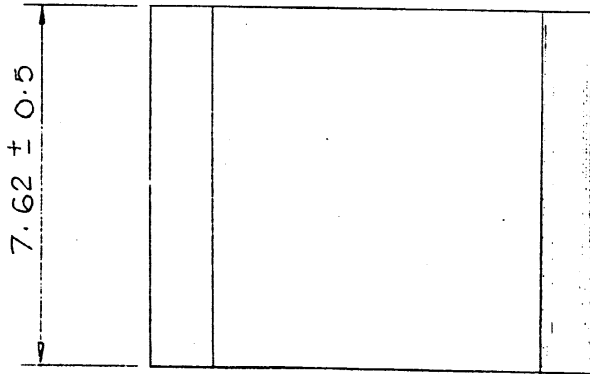
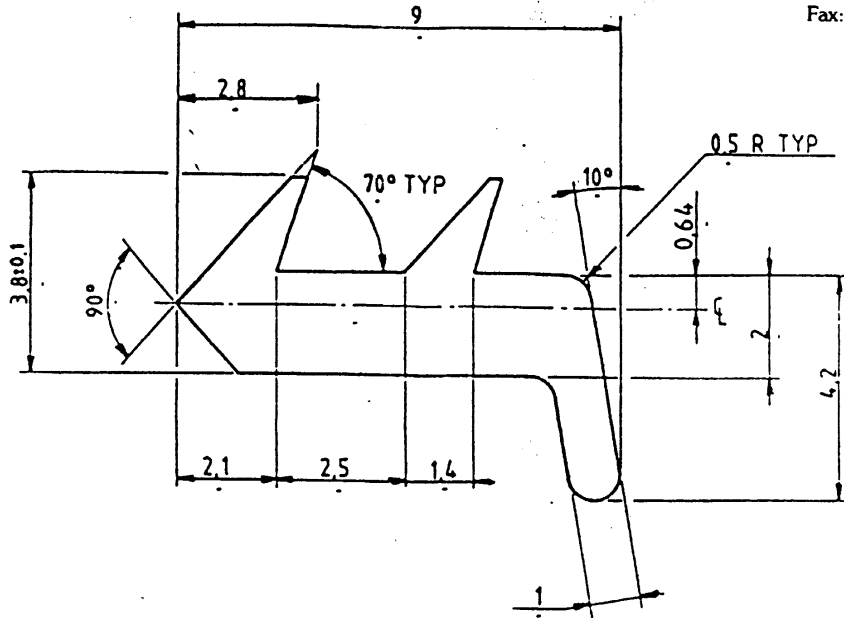
Clifton Road

Shefford

Beds. SG17 5AA

Tel: (01462) 814798

Fax: (01462) 814873



**NOTE**

**END PLUG TO BE ANTI-STATIC TREATED (DIPPED).**

GENERAL TOLERANCE  $\pm 0.5$

300 WIDE SOIC PLUG

|                            |      |                  |          |           |          |       |          |                 |  |                       |  |                |  |   |  |                  |  |
|----------------------------|------|------------------|----------|-----------|----------|-------|----------|-----------------|--|-----------------------|--|----------------|--|---|--|------------------|--|
| ALL UNSPECIFIED TOLERANCES |      |                  |          |           |          |       |          |                 |  | ANGLES $\pm 1^\circ$  |  | 0.0 $\pm$ 0.50 |  | 0.00 $\pm$ 0.25   |  | 0.000 $\pm$ 0.10 |  |
| REVISIONS                  |      |                  |          |           |          |       |          |                 |  | Issue No. /           |  | Colour         |  | <b>EXTRUDED PRODUCTS</b><br>A DIVISION OF ITW LIMITED<br>WEST HAM INDUSTRIAL ESTATE/GRAFTON WAY/<br>BASINGSTOKE/HANTS/RG22 6HY.<br>TEL (0256) 463772/TLX 859088/<br>TELEFAX (0256) 464777 |  |                  |  |
| 2. NOTE AMOCD. MOD NR 0254 |      |                  |          |           |          |       |          |                 |  | Date 19.11.89         |  | VARIOUS        |  |   |  |                  |  |
| P.R. No.                   | Des. | Drn.             | Date     | Chk.      | Area     | Wt.   | Matl.    | NAME            |  | PART No. 4 89 5067 01 |  |                |  |   |  |                  |  |
| 8994                       | CUS  | VO               | 19.11.89 |           | Sq. mms. | Kg./M | EVOPRENE | 16-28 SOIC PLUG |  |                       |  |                |  |   |  |                  |  |
| SCALE 7:1                  |      | ALL DIMS IN mms. |          | TOOL REF. |          |       |          |                 |  |                       |  |                |  |   |  |                  |  |

THIS DOCUMENT IS CONFIDENTIAL AND OUR PROPERTY IT MUST NOT BE COPIED OR SHOWN TO OTHERS WITHOUT OUR PERMISSION